

Power Transformers

UL Recognized
UL File: E65390

Class 2
UL

Control Transformers - Class 2



:: Description

Triad control transformers come with tamper resistant shrouds for safety and steel bracket welded to the bottom of the transformer for ease of mounting.

:: Specifications

Maximum Power: 3 VA, 40 VA, 50 VA

Input (50/60 Hz): 120 V, 240 V, 120/208/240 V, 120/240 V, 208/240 V

Output: 10 V, 12 V, 24 V

:: Control Transformers

Section	Type No.	Primaries	Secondary	VA	Connections	Dimensions (mm)			Mounting Dimensions	Wt. Lbs.	Fig.	
						H	W	D				
A	TCT3-03E07AE	120V	12V	3	Lugs	54	42.5	60.0	48.77	0.5	A	
	TCT3-04E07AE	240V	12V	3	Lugs	54	42.5	60.0	48.77	0.5	A	
	TCT3-11E07AE	120V	10V	3	Lugs	54	42.5	60.0	48.77	0.5	A	
	TCT3-12E07AE	240V	10V	3	Lugs	54	42.5	60.0	48.77	0.5	A	
B	TCT40-01E07AB	120V	24V	40	Lugs	56.5	92.5	61.0	79.38	1.5	B	
	TCT40-01E07AE	120V	24V	40	Lugs	62.5	95.0	57.0	79.38	1.5	C	
	TCT40-01E07K	120V	24V	40	Leads	56.5	92.5	61.0	79.38	1.5	D	
	TCT40-02E07AB	240V	24V	40	Lugs	56.5	92.5	61.0	79.38	1.5	B	
	TCT40-02E07AE	240V	24V	40	Lugs	62.5	95.0	57.0	79.38	1.5	C	
	TCT40-02E07K	240V	24V	40	Leads	56.5	92.5	61.0	79.38	1.5	D	
	TCT40-05E07AB	120/208/240	24V	40	Lugs	56.5	92.5	61.0	79.38	1.5	B	
	TCT40-05E07AE	120/208/240	24V	40	Lugs	62.5	95.0	57.0	79.38	1.5	C	
	TCT40-05E07K	120/208/240	24V	40	Leads	56.5	92.5	61.0	79.38	1.5	D	
	TCT40-06E07AB	120/240	24V	40	Lugs	56.5	92.5	61.0	79.38	1.5	B	
	TCT40-06E07AE	120/240	24V	40	Lugs	62.5	95.0	57.0	79.38	1.5	C	
	TCT40-06E07K	120/240	24V	40	Leads	56.5	92.5	61.0	79.38	1.5	D	
C	TCT40-07E07AB	120/208/240	12V	40	Lugs	56.5	92.5	61.0	79.38	1.5	B	
	TCT40-07E07AE	120/208/240	12V	40	Lugs	62.5	95.0	57.0	79.38	1.5	C	
	TCT40-07E07K	120/208/240	12V	40	Leads	56.5	92.5	61.0	79.38	1.5	D	
	TCT40-08E07AB	120/240	12V	40	Lugs	56.5	92.5	61.0	79.38	1.5	B	
	TCT40-08E07AE	120/240	12V	40	Lugs	62.5	95.0	57.0	79.38	1.5	C	
	TCT40-08E07K	120/240	12V	40	Leads	56.5	92.5	61.0	79.38	1.5	D	
	TCT40-10E07AB	208/240	12V	40	Lugs	56.5	92.5	61.0	79.38	1.5	B	
	TCT40-10E07AE	208/240	12V	40	Lugs	62.5	95.0	57.0	79.38	1.5	C	
	TCT40-10E07K	208/240	12V	40	Leads	56.5	92.5	61.0	79.38	1.5	D	
	D	TCT50-01E07AB	120V	24V	50	Lugs	56.5	92.5	71.5	79.38	2.0	B
		TCT50-01E07AE	120V	24V	50	Lugs	71.5	95.0	57.0	79.38	2.0	C
		TCT50-01E07K	120V	24V	50	Leads	56.5	92.5	71.5	79.38	2.0	D
TCT50-02E07AB		240V	24V	50	Lugs	56.5	92.5	71.5	79.38	2.0	B	
TCT50-02E07AE		240V	24V	50	Lugs	71.5	95.0	57.0	79.38	2.0	C	
TCT50-02E07K		240V	24V	50	Leads	56.5	92.5	71.5	79.38	2.0	D	
TCT50-05E07AB		120/208/240	24V	50	Lugs	56.5	92.5	71.5	79.38	2.0	B	
TCT50-05E07AE		120/208/240	24V	50	Lugs	71.5	95.0	57.0	79.38	2.0	C	
TCT50-05E07K		120/208/240	24V	50	Leads	56.5	92.5	71.5	79.38	2.0	D	
TCT50-06E07AB		120/240	24V	50	Lugs	56.5	92.5	71.5	79.38	2.0	B	
TCT50-06E07AE		120/240	24V	50	Lugs	71.5	95.0	57.0	79.38	2.0	C	
TCT50-06E07K		120/240	24V	50	Leads	56.5	92.5	71.5	79.38	2.0	D	
TCT50-09E07AB	208/240	24V	50	Lugs	56.5	92.5	71.5	79.38	2.0	B		
TCT50-09E07AE	208/240	24V	50	Lugs	71.5	95.0	57.0	79.38	2.0	C		
TCT50-09E07K	208/240	24V	50	Leads	56.5	92.5	71.5	79.38	2.0	D		

Power Transformers

Control Transformers - Class 2

:: Control Transformers continued

Section	Type No.	Primaries	Secondary	VA	Connections	Dimensions (mm)			Mounting Dimensions	Wt. Lbs.	Fig.
						H	W	D			
E	TCT50-03E07AB	120V	12V	50	Lugs	56.5	92.5	71.5	79.38	2.0	B
	TCT50-03E07AE	120V	12V	50	Lugs	71.5	95.0	57.0	79.38	2.0	C
	TCT50-03E07K	120V	12V	50	Leads	56.5	92.5	71.5	79.38	2.0	D
	TCT50-04E07AB	240V	12V	50	Lugs	56.5	92.5	71.5	79.38	2.0	B
	TCT50-04E07AE	240V	12V	50	Lugs	71.5	95.0	57.0	79.38	2.0	C
	TCT50-04E07K	240V	12V	50	Leads	56.5	92.5	71.5	79.38	2.0	D
	TCT50-07E07AB	120/208/240	12V	50	Lugs	56.5	92.5	71.5	79.38	2.0	B
	TCT50-07E07AE	120/208/240	12V	50	Lugs	71.5	95.0	57.0	79.38	2.0	C
	TCT50-07E07K	120/208/240	12V	50	Leads	56.5	92.5	71.5	79.38	2.0	D
	TCT50-08E07AB	120/240	12V	50	Lugs	56.5	92.5	71.5	79.38	2.0	B
	TCT50-08E07AE	120/240	12V	50	Lugs	71.5	95.0	57.0	79.38	2.0	C
	TCT50-08E07K	120/240	12V	50	Leads	56.5	92.5	71.5	79.38	2.0	D
	TCT50-10E07AB	208/240	12V	50	Lugs	56.5	92.5	71.5	79.38	2.0	B
	TCT50-10E07AE	208/240	12V	50	Lugs	71.5	95.0	57.0	79.38	2.0	C
	TCT50-10E07K	208/240	12V	50	Leads	56.5	92.5	71.5	79.38	2.0	D

:: Outline Dimensions

Technical Notes
[mm]

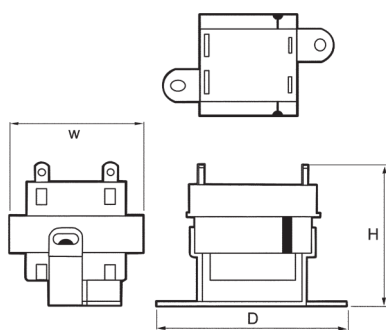


Figure A

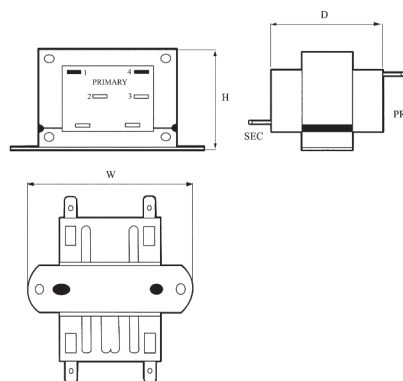


Figure B

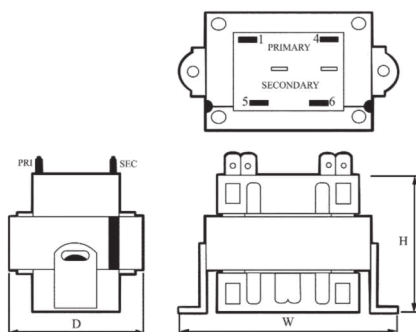


Figure C

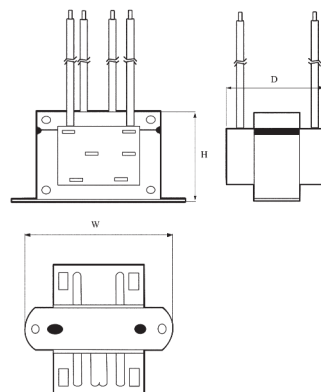


Figure D