

HDC HB 10 AWVL - Motor Terminal Housing

NEW



Plug and Play – The Solution for Your Motor

Due to the short installation time and the open choice of connection technology, Weidmüller offers a further cost-efficient solution in the area of heavy duty connectors.

The motor terminal housing is being replaced by the 90° offset housing HDC HB 10 AWVL. As a result of the 68-mm fixing pitch, the mounting position can be offset by 90°. All standard plug hoods of the BG 4 with end locking connections are plug compatible.

The standard options for the BG 4, for example, the HE 10 – series available in screw, tension clamp and crimp connection technologies, can also be used in the same manner as the options from the modular ConCept.

You have never changed a motor so quickly.

United Kingdom

Weidmüller Ltd.
1 Abbey Wood Road, Kings Hill
West Malling, Kent ME19 4YT
Phone +44 1732-877032
Fax +44 1732-873873
Info@weidmuller.co.uk
<http://www.weidmueller.com>

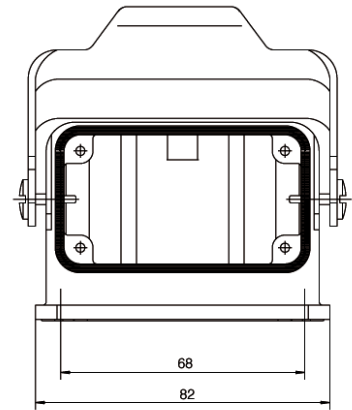
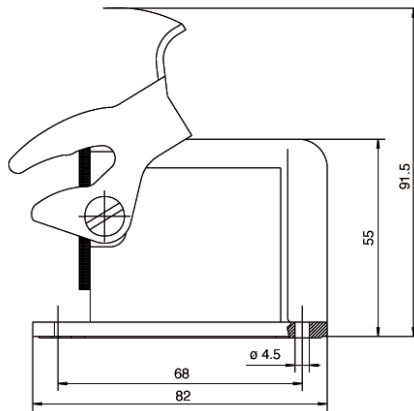
USA

Weidmüller Inc.
821 Southlake Boulevard
Richmond, Virginia 23236
Phone +1 804-7942877
Fax +1 804-3792593
info@weidmuller.com
<http://www.weidmuller.com>

Other countries

Weidmüller Interface GmbH & Co. KG
Postfach 3030
32720 Detmold
Phone +49 5231-14-0
Fax +49 5231-14-2083
info@weidmueller.com
<http://www.weidmueller.com>

HB 10 AWVL - Motor Terminal Housing



Technical Data

Material:	Aluminium pressure die cast AL Si -12
Platin:	Powder coating grey RAL 7037
Locking:	steel, zinc plated
Gasket:	NBR - Material
Temperature range:	-40° C ... + 125° C
Protection with housing when mated:	IP 65 according DIN 40050

Ordering data

Type	Qty.	Cat. No.
HDC HB 10 AWVL	5	1790040000