



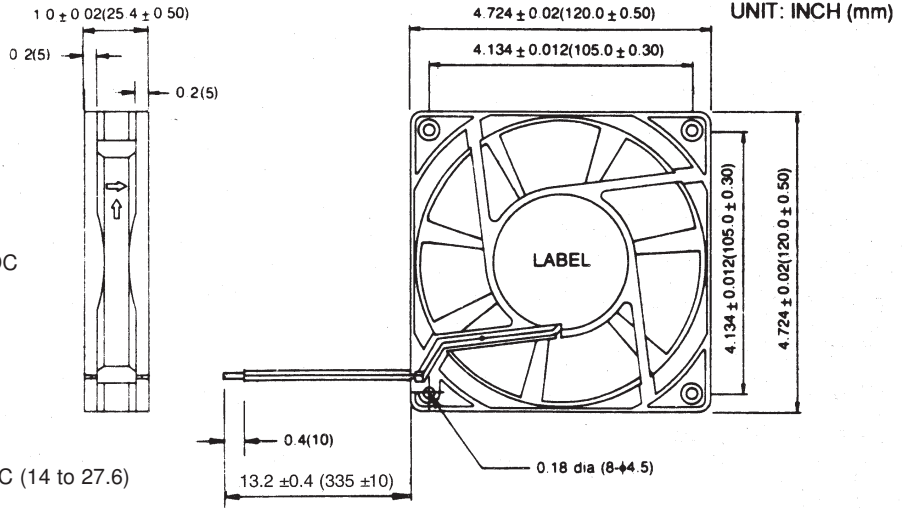
**USTF12025 Series**

**Size:** 4.72 in sq. x 1.0 in. thk  
(120mm sq. x 25mm thk.)

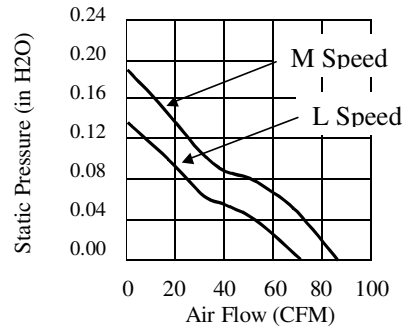
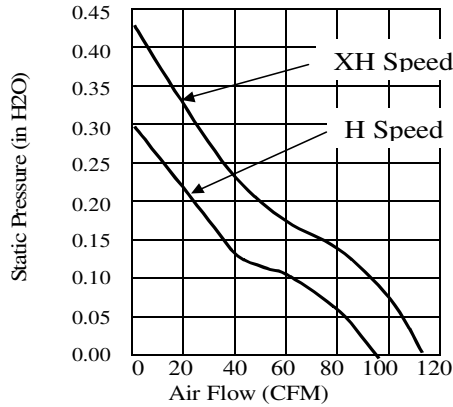
**Airflow:** 72 - 113 CFM

**Acoustical Noise:** 36 - 46.5 dB (A)

- MATERIAL:** Frame - Black PBT (UL 94V-0)  
Bearings - Ball  
Impeller - Black PBT (UL 94V-0)
- WEIGHT:** 6 oz. (170g)
- TERMINATION:** Lead Wires (UL 1007, AWG24)
- OPERATION TEMPERATURE:** -10° to +70° C
- INSULATION RESISTANCE:** 10 megohms min @ 500 VDC
- DIELECTRIC STRENGTH:** 500 VAC for 1 min.
- INSULATION:** Class A
- SAFETY:** Impedance & Polarity Protected
- SAFETY APPROVALS:** UL, CSA & CE
- OPERATING VOLTAGE:** 12 VDC (6 to 13.8) - 24 VDC (14 to 27.6)



**PERFORMANCE CURVES:** (Obtained with test chamber and methods in accordance with AMCA Std. 210-74)



**SPECIFICATIONS:** (All values are typical)

PART NUMBER	VOLTS	WATTS	AMPS	RPM	NOISE dB (A) @ 1M	CFM
USTF1202512XHW	12VDC	6.36	0.53	3400	46.5	113.1
USTF1202512HW	12VDC	3.96	0.33	2800	41.5	95.1
USTF1202512MW	12VDC	4.32	0.36	2470	37.6	86.5
USTF1202512LW	12VDC	2.40	0.20	2100	34.0	72.4
USTF1202524XHW	24VDC	6.72	0.28	3400	46.5	113.1
USTF1202524HW	24VDC	4.32	0.18	2800	41.5	95.1
USTF1202524MW	24VDC	4.80	0.20	2470	37.6	86.5
USTF1202524LW	24VDC	3.36	0.14	2100	34.0	72.4

MODELS AVAILABLE ON REQUEST:

Failure Detector - rotation sensing - Add Suffix "SR" to part number  
Speed Controller - tach output - Add Suffix "SF" to part number