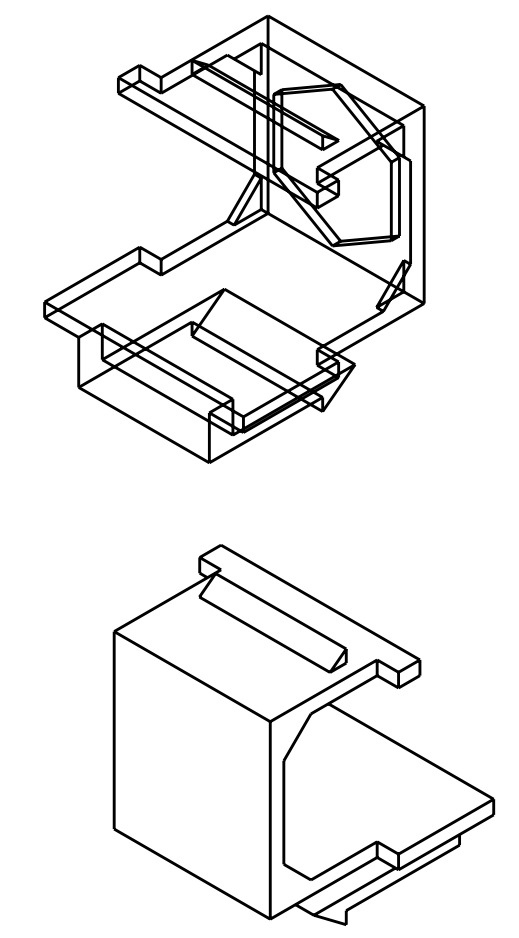
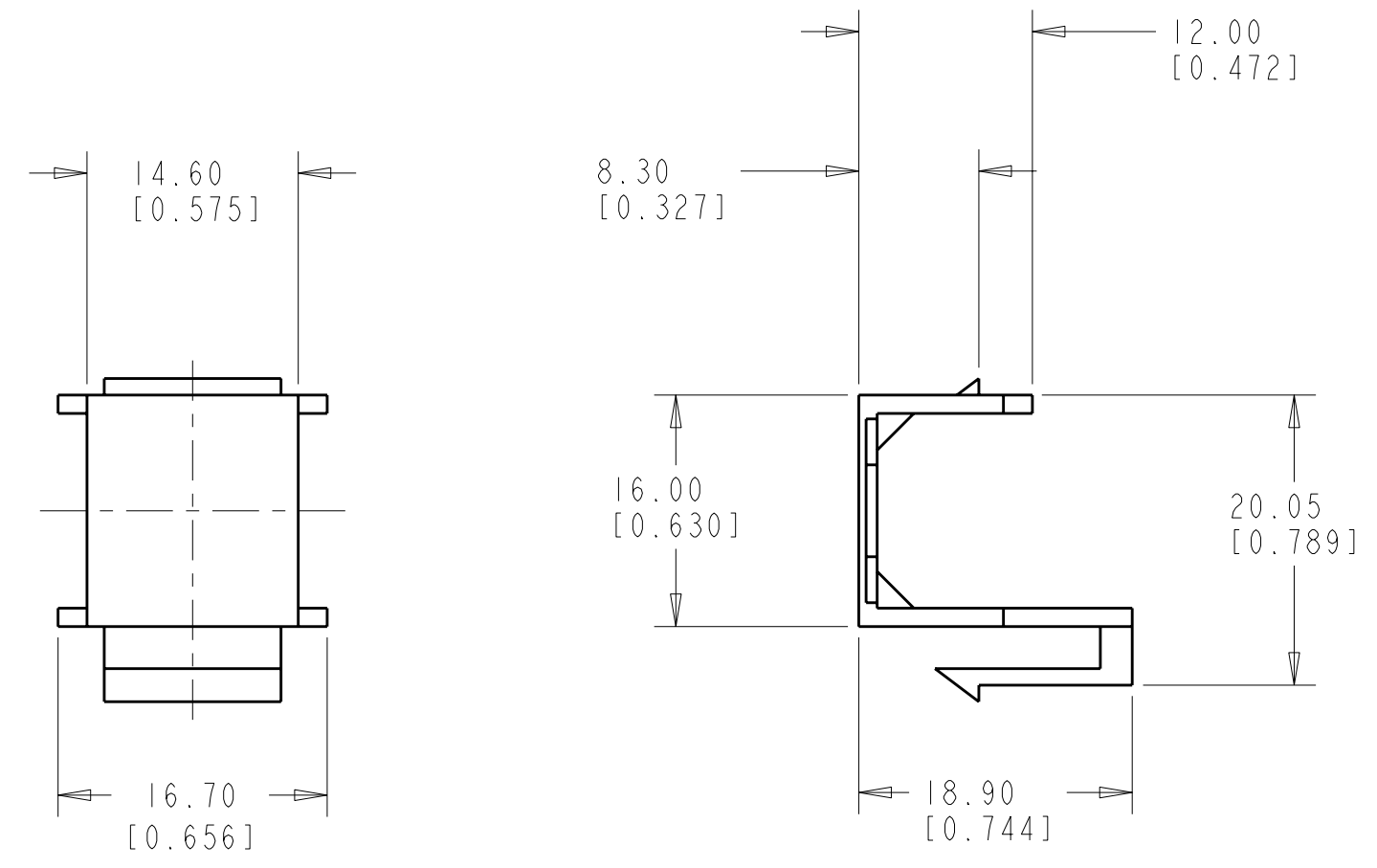


THIS DRAWING IS UNPUBLISHED. RELEASED FOR PUBLICATION  
 © COPYRIGHT 20 BY TYCO ELECTRONICS CORPORATION. ALL RIGHTS RESERVED.

LOC	DIST	REVISIONS			
P	LTR	DESCRIPTION	DATE	DWN	APVD
	A	NSD06-126	13NOV2006	JM	GB
	B	REV ECO-09-010592	04MAY2009	LH	RA
	C	REV; ECO-09-015247	06JUL2009	GG	RA
	D	REV; ECO-10-011994	08JUN2010	GG	RA

- 1. MATERIAL:  
UL 94V-0 ABS MOLDING COMPOUND. SEE TABLE FOR COLOR.
- 2. DIMENSIONS ARE NOMINAL UNLESS OTHERWISE SPECIFIED.



ALPINE WHITE	1-1933172-3
ELECTRIC IVORY	1-1933172-1
GRAY	1933172-4
WHITE	1933172-3
BLACK	1933172-2
LIGHT ALMOND	1933172-1
COLOR	PART NO

THIS DRAWING IS A CONTROLLED DOCUMENT FOR TYCO ELECTRONICS CORPORATION. IT IS SUBJECT TO CHANGE AND THE CONTROLLING ENGINEERING ORGANIZATION SHOULD BE CONTACTED FOR THE LATEST REVISION.		DWN J MCNEAL 13NOV2006	Tyco Electronics Harrisburg, PA 17105-3608	
DIMENSIONS: mm [ INCHES ]		CHK G BOWMAN 13NOV2006	NAME INSERT, BLANK, KL SERIES	
TOLERANCES UNLESS OTHERWISE SPECIFIED: 0 PLC ± 1 PLC ± 2 PLC ± 3 PLC ± 4 PLC ± ANGLES ± FINISH		APVD G BOWMAN 13NOV2006	PRODUCT SPEC - APPLICATION SPEC -	
MATERIAL	△ -	WEIGHT -	SIZE A2	CAGE CODE 00779
CUSTOMER DRAWING		DRAWING NO G-1933172	RESTRICTED TO -	SCALE 4:1
		SHEET 1 OF 1		REV D