

 WARNING	
	ELECTROCUTION HAZARD
	Disconnect electric power to system at main fuse or circuit breaker box before servicing. Failure to do so could result in death or serious injury.
	FIRE HAZARD
	Do not exceed transformer ratings. Higher voltage may damage control and could cause personal injury or property damage.

SPECIFICATIONS:

INPUT:	115/230 VAC, 50/60 Hz
OUTPUT:	See Table
INSULATION RATING:	Class B (130° C)
DIELECTRIC STRENGTH:	4,000 VRMS
AGENCY APPROVALS:	UL recognized component for use in the US and Canada TUV certified to EN61558 Designed to requirements of EN60950
FILE NOS.:	UL File # E173993 TUV Report # DI 401341

NOTES:

1. Designed for single input and single output use only and requires simultaneous use of all windings.



2. The input to the transformer must be fused with an IEC 60127-2 Standard Sheet 3 Time lag (surge-proof) Low-breaking capacity or Standard Sheet 6 Time lag (surge-proof) Enhanced breaking capacity fuse. The fuse value are shown in the Dimensions and Requirements Table

STANCOR PART NUMBER	VA	Secondary RMS Rating		Agency Certif.
		Series Volts	Parallel Amps	
TG2H-10	2.5	10.0 C.T. @ 0.25	5.0 @ 0.50	† ‡
TG05-10	5	10.0 C.T. @ 0.50	5.0 @ 1.00	† ‡
TG10-10	10	10.0 C.T. @ 1.00	5.0 @ 2.00	† ‡
TG20-10	20	10.0 C.T. @ 2.00	5.0 @ 4.00	† ‡
TG30-10	30	10.0 C.T. @ 3.00	5.0 @ 6.00	† ‡
TG56-10	56	10.0 C.T. @ 5.60	5.0 @ 11.20	† ‡
TG2H-12	2.5	12.6 C.T. @ 0.20	6.3 @ 0.40	† ‡
TG05-12	5	12.6 C.T. @ 0.40	6.3 @ 0.80	† ‡
TG10-12	10	12.6 C.T. @ 0.80	6.3 @ 1.60	† ‡
TG20-12	20	12.6 C.T. @ 1.60	6.3 @ 3.20	† ‡
TG30-12	30	12.6 C.T. @ 2.40	6.3 @ 4.80	† ‡
TG56-12	56	12.6 C.T. @ 4.40	6.3 @ 8.80	† ‡
TG2H-16	2.5	16.0 C.T. @ 0.15	8.0 @ 0.30	† ‡
TG05-16	5	16.0 C.T. @ 0.31	8.0 @ 0.62	† ‡
TG10-16	10	16.0 C.T. @ 0.62	8.0 @ 1.25	† ‡
TG20-16	20	16.0 C.T. @ 1.25	8.0 @ 2.50	† ‡
TG30-16	30	16.0 C.T. @ 1.90	8.0 @ 3.80	† ‡
TG56-16	56	16.0 C.T. @ 3.50	8.0 @ 7.00	† ‡
TG2H-20	2.5	20.0 C.T. @ 0.12	10.0 @ 0.24	† ‡
TG05-20	5	20.0 C.T. @ 0.25	10.0 @ 0.50	† ‡
TG10-20	10	20.0 C.T. @ 0.50	10.0 @ 1.00	† ‡
TG20-20	20	20.0 C.T. @ 1.00	10.0 @ 2.00	† ‡
TG30-20	30	20.0 C.T. @ 1.50	10.0 @ 3.00	† ‡
TG56-20	56	20.0 C.T. @ 2.80	10.0 @ 5.60	† ‡

STANCOR PART NUMBER	VA	Secondary RMS Rating		Agency Certif.
		Series Volts	Parallel Amps	
TG2H-24	2.5	24.0 C.T. @ 0.10	12.0 @ 0.20	† ‡
TG05-24	5	24.0 C.T. @ 0.21	12.0 @ 0.42	† ‡
TG10-24	10	24.0 C.T. @ 0.42	12.0 @ 0.84	† ‡
TG20-24	20	24.0 C.T. @ 0.83	12.0 @ 1.66	† ‡
TG30-24	30	24.0 C.T. @ 1.25	12.0 @ 2.50	† ‡
TG56-24	56	24.0 C.T. @ 2.33	12.0 @ 4.66	† ‡
TG2H-28	2.5	28.0 C.T. @ 0.09	14.0 @ 0.18	† ‡
TG05-28	5	28.0 C.T. @ 0.18	14.0 @ 0.36	† ‡
TG10-28	10	28.0 C.T. @ 0.36	14.0 @ 0.72	† ‡
TG20-28	20	28.0 C.T. @ 0.72	14.0 @ 1.44	† ‡
TG30-28	30	28.0 C.T. @ 1.06	14.0 @ 2.12	† ‡
TG56-28	56	28.0 C.T. @ 2.00	14.0 @ 4.00	† ‡
TG2H-36	2.5	36.0 C.T. @ 0.07	18.0 @ 0.14	† ‡
TG05-36	5	36.0 C.T. @ 0.14	18.0 @ 0.28	† ‡
TG10-36	10	36.0 C.T. @ 0.28	18.0 @ 0.56	† ‡
TG20-36	20	36.0 C.T. @ 0.56	18.0 @ 1.12	† ‡
TG30-36	30	36.0 C.T. @ 0.82	18.0 @ 1.64	† ‡
TG56-36	56	36.0 C.T. @ 1.56	18.0 @ 3.12	† ‡

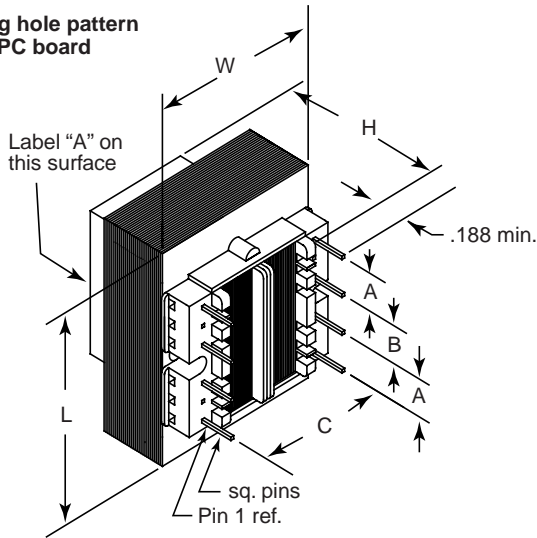
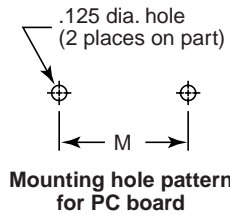
Agency Certification : †  ‡ 

PART NO. 37-6607B

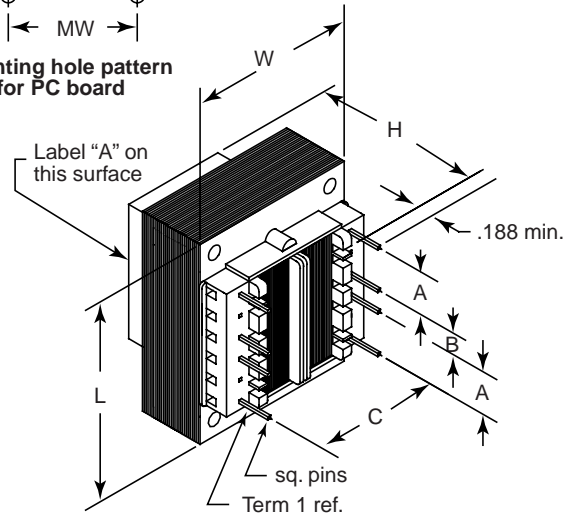
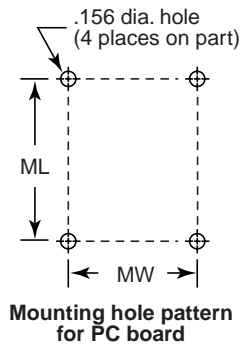
Replaces 37-6607A

TG Series Dimensions and Requirements

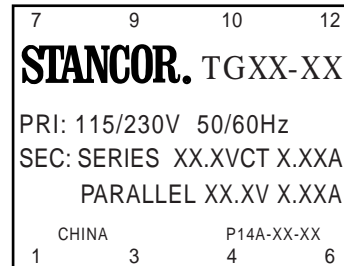
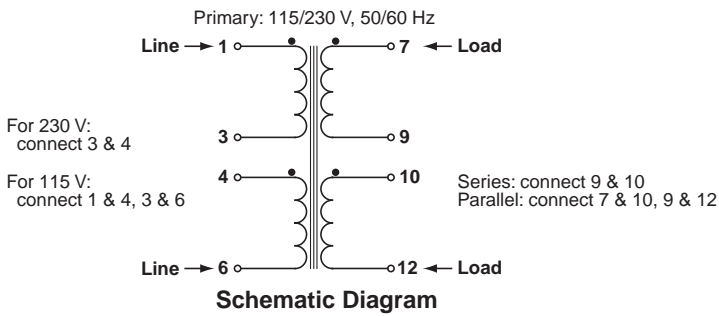
VA	DIMENSIONS-INCHES										Weight (lbs.)	INPUT FUSE	
	L	W	H	M	MW	ML	Pin	A	B	C		Series	Parallel
2.5	1.63	1.31	1.13	1.06	-	-	.025	0.20	0.25	1.00	0.25	N/A	N/A
5	1.63	1.31	1.38	1.06	-	-	.025	0.20	0.40	1.00	0.38	N/A	N/A
10	1.94	1.59	1.38	1.25	-	-	.035	0.20	0.40	1.14	0.55	0.063A	0.125A
20	2.25	1.88	1.63	1.50	-	-	.035	0.40	0.40	1.46	0.95	0.125A	0.25A
30	2.63	2.19	1.59	-	1.75	2.19	.040	0.55	0.28	1.68	1.20	0.20A	0.40A
56	3.00	2.50	1.84	-	2.00	2.50	.040	0.60	0.30	1.90	1.80	0.375A	0.70A



TG2H, 05, 10, 20



TG30, 56



Label "A" Detail