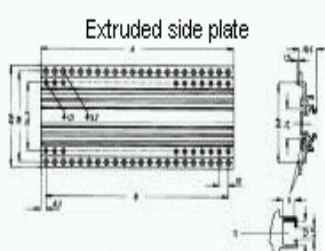
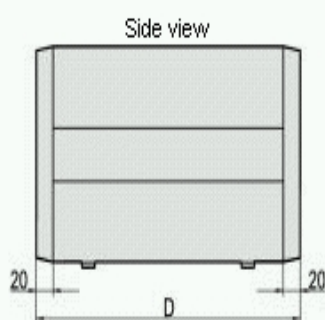
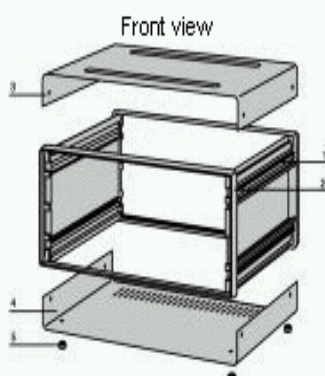
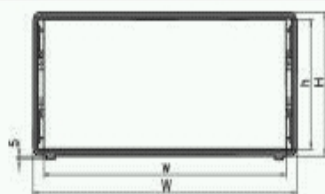


## Case 2, 3 and 4 U

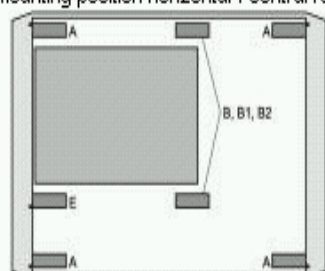


1) suitable for square nuts M4 with slide

Dimensions table:

For case depth	Max. mounting depth	Dimensions	
mm	mm	A in mm	B in mm
362	342.5	322.6	10 = 310

Mounting position horizontal-/ central rail



Product illustrations are exemplary illustrations and can deviate from supplied products.

Part no.: 10823-448

Features:

Technical Information:

Add to basket



Downloads:

User Manual ([Log in](#) required)

**Dimensions**

To gain access to the additional information you must [log in](#).  
If you do not yet have a user name, you may [register here](#).

**Delivery comprises:** in kit form, Item 1 and 2 assembled

Item	Qty	Description
1	2	Side panel, aluminium extrusion, RAL 7030 dark grey
2	2	Frame, diecast aluminium, RAL 7030 dark grey
3	1	Cover, 1.5 mm aluminium, RAL 7035 light grey, with GND/earthing connection
4	1	Base with perforation, 1.5 mm aluminium, RAL 7035 light grey, with GND/earthing connection
5	4	Foot with anti-slip protection, PC, UL 94 V-0, black
6	1	Assembly kit <sup>1)</sup>

<sup>1)</sup> The assembly kit also enables assembly of a full-width front panel and a rear panel.