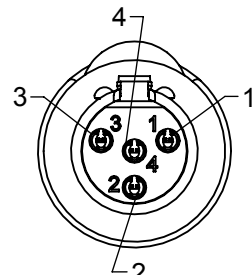
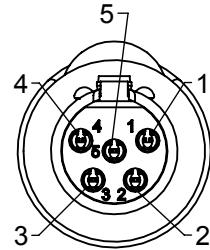


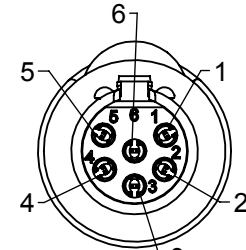
TA3FS SERIES
3 PIN



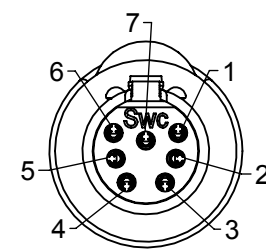
TA4FS SERIES
4 PIN



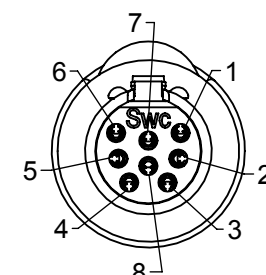
TA5FS SERIES
5 PIN



TA6FS SERIES
6 PIN

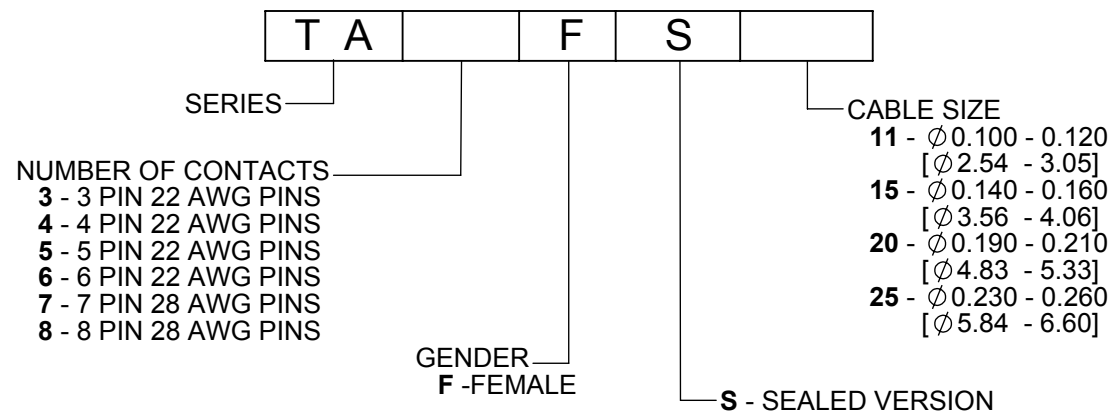


TA7FS SERIES
7 PIN

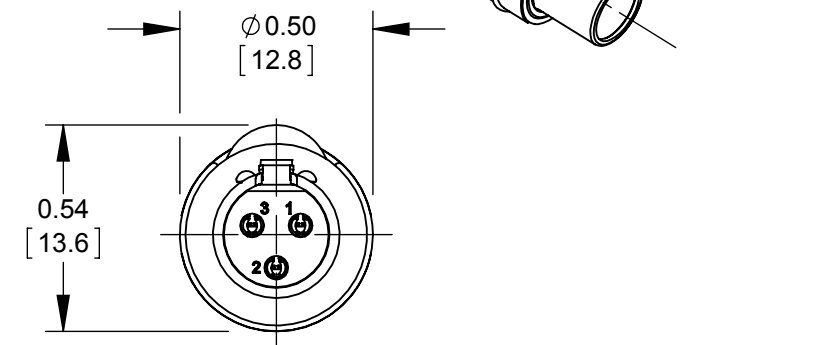
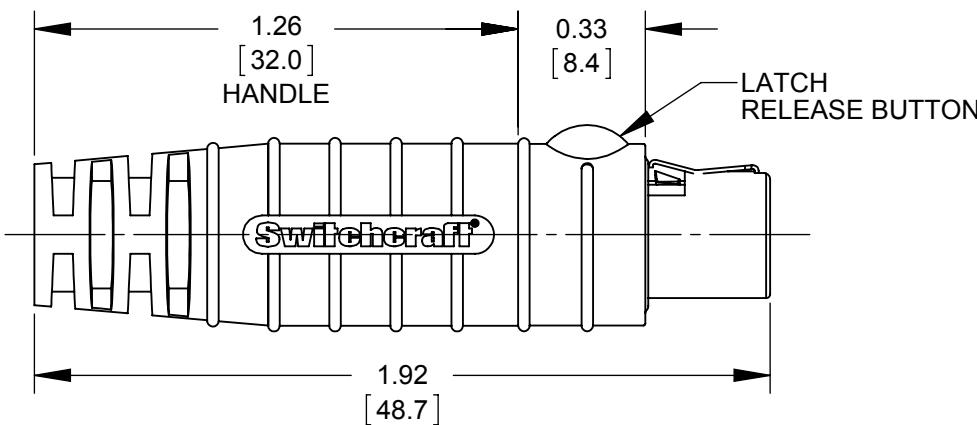
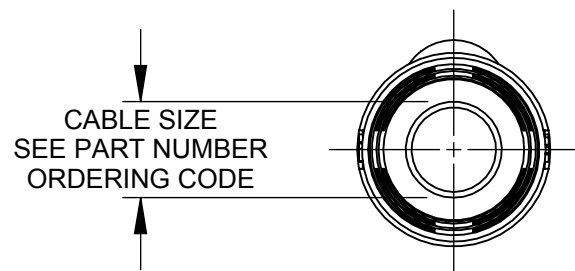
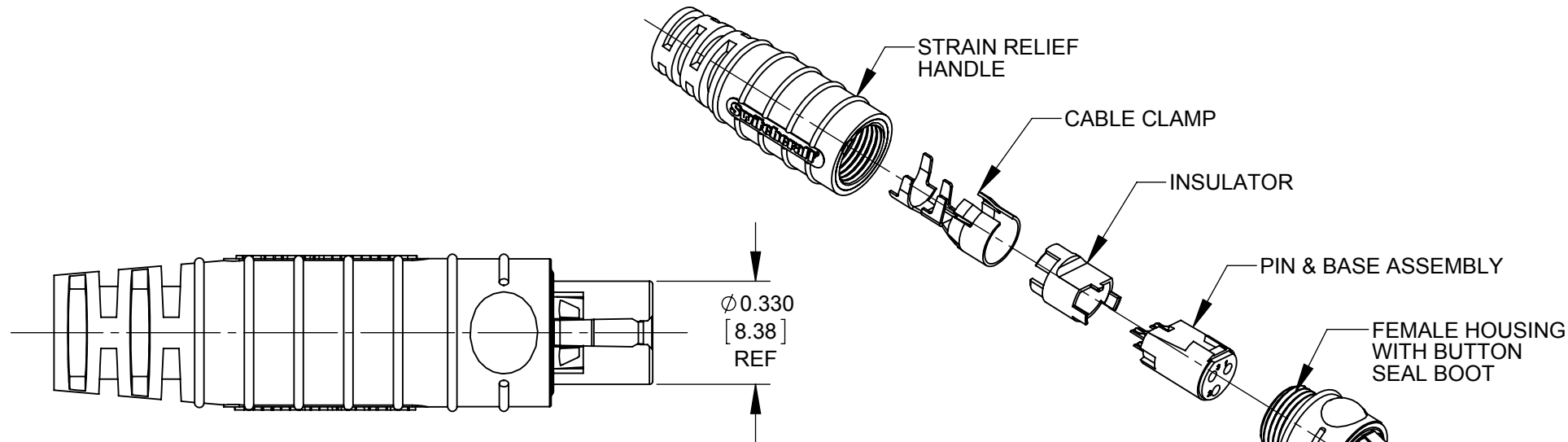


TA8FS SERIES
8 PIN

AS VIEWED FROM FRONT MATING SIDE



PART NUMBER ORDERING CODE



TA3FS SHOWN

CUSTOMER DRAWING

NOTES:

1. MATERIALS:
 HOUSING - COPPER ALLOY, NICKEL PLATED
 PIN CONTACTS - COPPER ALLOY, SILVER PLATED
 LATCH BUTTON - RIGID THERMOPLASTIC, BLACK
 PIN INSULATOR - RIGID THERMOPLASTIC, DARK BROWN
 LATCH SPRING - COPPER ALLOY, NICKEL PLATED
 CABLE CLAMP - STEEL, TIN PLATED
 BUTTON SEAL BOOT - THERMOPLASTIC RUBBER, BLACK
 INSERT MOLDED HANDLE - THERMOPLASTIC RUBBER OVER RIGID THERMOPLASTIC, BLACK

2. THIS PRODUCT IS RoHS COMPLIANT.

					THIS DRAWING DESCRIBES A DESIGN CONSIDERED PROPRIETARY IN NATURE, DEVELOPED AND MANUFACTURED BY SWITCHCRAFT INC. AND IS RELEASED ON A CONFIDENTIAL BASIS FOR IDENTIFICATION PURPOSES ONLY.				
					SIZE	WIDTH	MULT	LBS/M	TEMPER
					FINISH			MATERIAL	
					SPEC No.			SPEC No.	
					FIRST USED ON		SCALE 2:1		
DATE DRAWN		BY	CHKD	APVD					
1/29/13		AB	AB	TJK					
			1/29/13	9-28-15	SHEET 1 OF 1				
REV					NAME			PART No.	
ECO NUMBER					SEALED TINI Q-G FEMALE, ROHS			TA_FS SERIES	
DATE					DO NOT SCALE DRAWING				
BY					SolidWorks CAD File				
APVD					REV A				
REVISIONS									