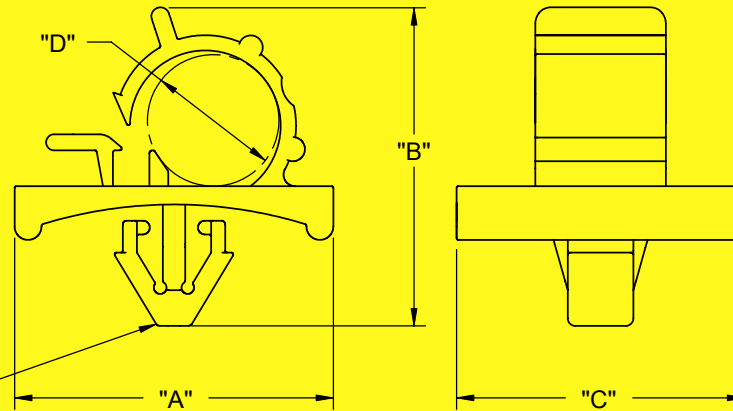


| PART NO. | "A"±.015 | "B"±.060 | "C"±.015 | HOLDING DIA. "D"±.015 |
|----------|--------------|-------------|------------|--------------------------|
| PKKL-3 | 1.020 [25.9] | .921 [23.4] | .670 [17] | .374 [9.5] |
| PKKL-3S | .830 [21.1] | .828 [21] | .75 [19.1] | .307 [7.8] |
| PKKL-4 | 1.19 [30.3] | 1.26 [32] | .76 [19.4] | .532 [13.5] |



TO SNAP-LOCK IN A .256±.003
[6.5±0.08] DIA. HOLE, IN A
.031-.063 [0.8-1.6] PANEL THICKNESS

NOTES:

1. MATERIAL: NYLON 6/6 UL 94 V-2 (RMS-01)
2. COLOR: NATURAL.
3. ALTERNATE UNITS FOR REFERENCE ONLY

| | | | |
|------|------------------------------------|-------|----------|
| B | REDRAWN, SEE ECN #1330 FOR CHANGES | SK | 05/30/07 |
| A | CHANGED FILE NO. | SM | 08/23/02 |
| REV. | DESCRIPTION | ENGR. | DATE |

| | | | | | |
|---|--|---------------|--------------|----------------|-------------------------|
| TITLE: PLUG-IN KWIK KLIP, LOCKING | | | | DWG IN IN [MM] | |
| CREATED USING SOLIDWORKS | FILE #: PKKL | DWN: SK | APP: SK | FINAL | |
| TOLERANCES UNLESS NOTED .XX=±.010 .XXX=±.005 FRAC.=±1/64 ANG.=±1° | SHEET: 1 OF 1 | SHEET SIZE: A | DT: 05/30/07 | CHKD: SJ | PART # |
| RE: RICHCO, INC. | RICHCO, INC. ENG@RICHCO-INC.COM (773) 539-4060 | | SEE TABLE | | PRINT TYPE CA |