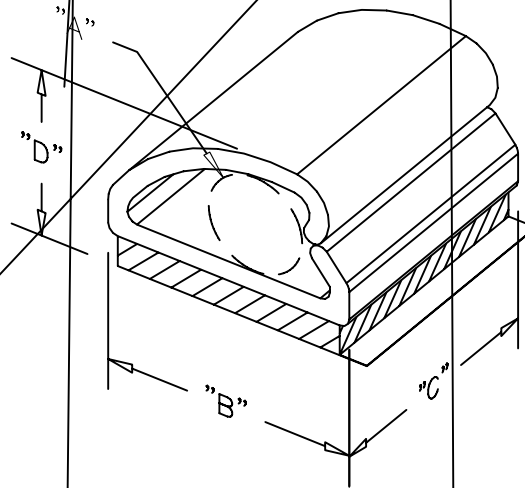


PART NO.		± 0.02 (0.5)	"C" ± 0.02 (0.5)	"D" AT MAX CAPACITY REF.
KKD-4-RT	.250(6.4)	.50(12.7)	.500(12.7)	.40(10.2)
KKD-8-RT	.500(12.7)	.75(19.1)	.750(19.1)	.73(18.5)
KKD-12-RT	.750(19.1)	1.13(28.2)	1.000(25.4)	1.02(25.9)
KKD-16-RT	1.000(25.4)	1.50(38.1)	1.250(31.8)	1.30(33.0)



NOTES:

- MATERIAL: RIGID PVC (RMS-04)
ALSO AVAILABLE IN CLEAR PVC (RMS-32)
BY SPECIAL ORDER.
- COLOR: GRAY
AVAILABLE IN BLACK BY SPECIAL ORDER ONLY.
TO ORDER USE PART NO. KKD-X-RTBK
- TAPE: 1/16" THICK DOUBLE SIDED
ADHESIVE (RMS-15), WHITE LINER.
- CUSTOM LENGTHS AVAILABLE BY SPECIAL ORDER.

J	SEE ECN #1335 FOR CHANGES	SK 06.14.07
I	CHANGED NOTE 1 & ADDED NOTE 4	SJ 03.14.02
H	DIM "B" WAS "E"	SM 03.07.01
G	CHANGED FILE NO.	S.M.11.17.00
F	.40 WAS .430, .73 WAS .731, 1.02 WAS .959, 1.30 WAS 1.300	S.M.11.08.00
E	ADDED NOTES, CORRECTED TAPE THICKNESS TO 1/16"	JK 2.10.00
D	COMPLETELY REVISED DWG, CHANGED D DIM'S	JK 10.29.99
C	ADDED ± 0.02 TO "B" DIM, ADDED REF TO "A"	MO 11/3/98
B	"D" AT MAX CAPACITY IS REF	MO 5/5/98
A	FOR KKD-8-RT, .50 "D" WAS .56; "D" IS REF	MO 2/6/98
REV	DESCRIPTION	ENGR DATE

TITLE: KWIK-KLIP, TYPE "D"		DWG IN		QR	
TOLERANCES UNLESS NOTED	FILE # KKD	DWN:	APP:	PART #	PRINT TYPE
	MAT'L: SEE NOTES	DT:	DT:	SEE CHART	CA
	RE: RICHCO INC.	RICHCO INC. PO BOX 804238, CHICAGO, 60680			
		(773) 539-4060			