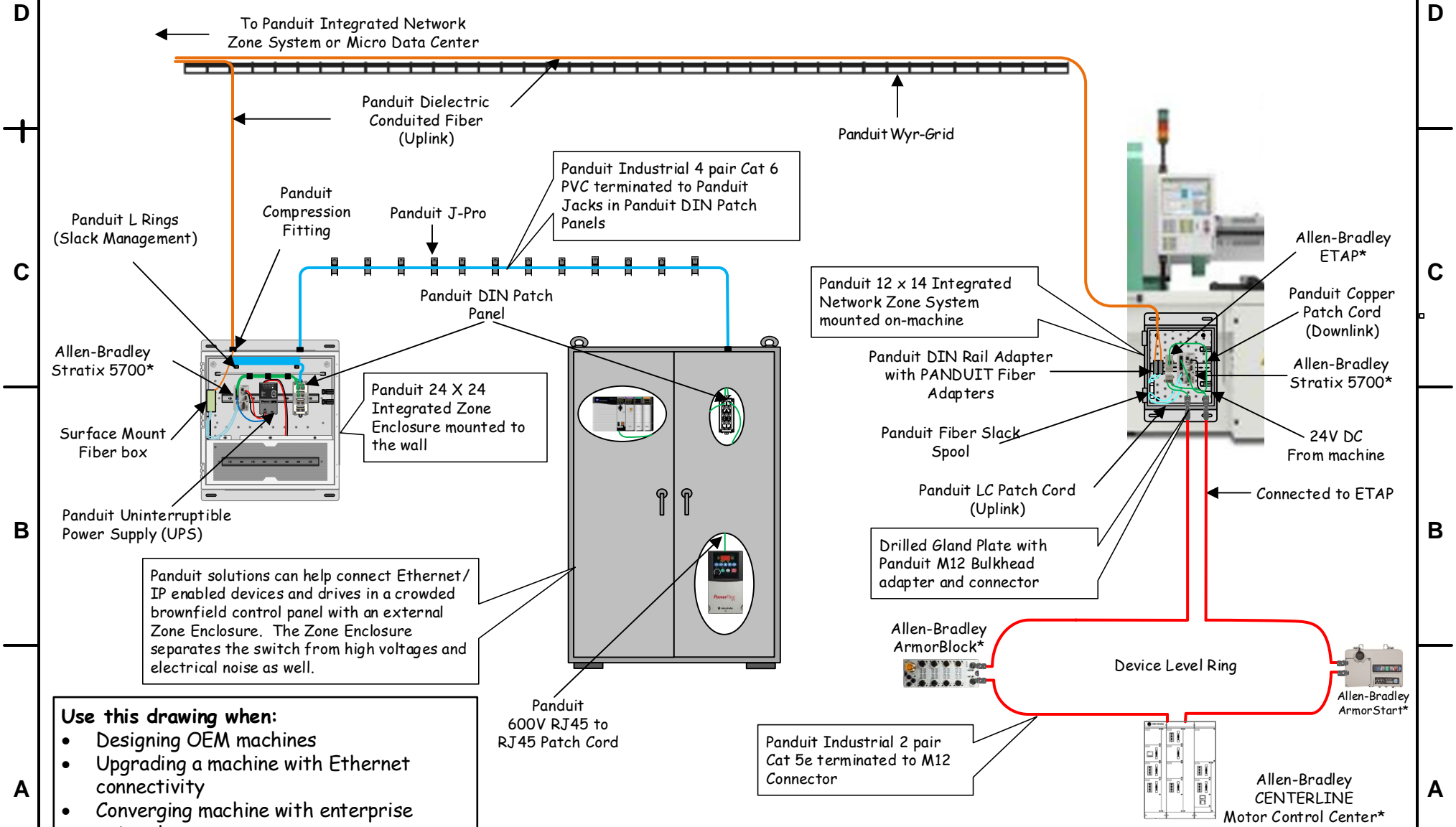


A machine may require multiple Ethernet connections. An Allen-Bradley Stratix 5700™ industrial Ethernet switch in a Panduit Integrated Network Zone System can accommodate on-machine connectivity.



Use this drawing when:

- Designing OEM machines
- Upgrading a machine with Ethernet connectivity
- Converging machine with enterprise networks

Panduit solutions can help connect Ethernet/IP enabled devices and drives in a crowded brownfield control panel with an external Zone Enclosure. The Zone Enclosure separates the switch from high voltages and electrical noise as well.

* Stratix 5700, ETAP, ArmorBlock, ArmorStart and CENTERLINE Motor Control Center are trademarks of Rockwell Automation, Inc.



Panduit Bill of Material

Part Number	Description
Integrated Network Zone System	
Z11N-SDD	12"x14" IP66 Integrated Network Zone System with Stratix 5700 (2 fiber uplinks & 8 downlinks), fiber slack spool, 2 L Rings, ground jumper, DIN Rail and 2 Mini-Com Single Port DIN Rail Mount Adapter * Requires 24VDC feed to Stratix
Z22N-SDAD5	24" x 24" Network Zone System with Stratix 5700 1783-BMS10CGA switch with 2 1Gb MM fiber optic uplinks, with redundant power supplies and no battery maintenance-free UPS
Zone Enclosure Add-On	
CADIN1IG	Mini-Com Single Port DIN Rail Mount Adapter
CMDSAQLCBL	Mini-Com LC Fiber duplex adapter module
CJ688TGIW	Mini-Com Cat 6, RJ45 8 Wire Jack
CDPP8RG	8-port DIN copper Patch Panel
FXE10-10M1Y	LC 10Gig patch cord 1M
PZNF1, PZNF2, PZFN3	Various size NEMA4X compression fittings
ISTPHCH1MBL	Industrial Ethernet Category 5e Shielded Patch Cords (600V Rated) with RJ45 Connectivity
Horizontal Cable Add-On	
FSPD512	Rugged 12-Fiber OM2 Plastic Dielectric multimode Armored Distribution (No grounding required)
IUC6C04ABL-CEG	Cat 6, industrial (CM), 4-Pair, U/UTP copper cable. Conductors are 24/7 AWG construction with HDPE insulation. Conductors are twisted in pairs, and surrounded by a PVC jacket
ISFCH5C02ARD-XG	Cat 5e, industrial (CM/CMX outdoor), 2-pair, SF/UTP copper cable; stranded copper conductors are 24/7 AWG with HDPE insulation
ISPS5E44MFA	4-position, industrial M12 D-Code plug, for use with stranded 26/7 - 22/7 AWG Category 5e, UTP Copper Cable
ICAM12DRJS	Cat 5e, M12 D-code to RJ45 industrial adapter, panel mount

About this Configuration

The Panduit pre-built Z11N-SDD and Z22N-SDAD5 Integrated Network Zone System is a complete edge switch solution targeted for on machine Ethernet/IP network connectivity.

About Panduit Zone Enclosures

A Panduit Zone Enclosure is a NEMA4/IP66 or NEMA4X enclosure that is pre-built and tested with a Stratix switch complete with cable management. The enclosure is designed for safe and secure network access separated from dangerous voltages and electrical noise. The larger 24 x 24 enclosure can come with a UPS that is either a battery or ultra cap maintenance free. It is rated UL508A and Class 1 Div 2.

Deploying an Integrated Network Zone System

The Integrated Network Zone Systems can be mounted to an existing crowded panel, on-machine, to a column or wall. Typically, armored fiber uplinks are used to achieve fast convergence to minimize downtime and high bandwidth for the future. The larger Z22N-SDAD5 24 x 24 enclosure is deployed using structured cabling, providing demarcation points for testing and trouble shoot as well as provide spare ports for growth to accommodate manufacturing equipment expansion. The smaller Z11N-SDD 12x14 is deployed using a point-to-point direct connect to equipment.

Panduit Bill of Material (cont.)

Part Number	Description
UPS003024024015	Panduit Uninterruptible Power Supply (UPS), 35 Watts for 5 minutes, 24 VDC in/out, DIN rail mount
JP2SBC50-L20	J-Hook with screw-on beam clamp for use with flanges up to ½"
WG12BL10	12" wide x 10' long Wyr-Grid pathway section used to carry cables horizontally throughout the system.
<i>Note: Wyr-Grid has accessories for threaded rods, sidewalls, waterfalls, intersections and others</i>	

For More Information

For more information, contact your local distributor, Panduit Sales rep or Rockwell Automation sales rep.

www.panduit.com/ia
iai@panduit.com

PANDUIT™