

Interface module - VIP-3/SC/FLK26/LED - 2322087

Please be informed that the data shown in this PDF Document is generated from our Online Catalog. Please find the complete data in the user's documentation. Our General Terms of Use for Downloads are valid (<http://phoenixcontact.com/download>)




VARIOFACE module, with screw connection and flat-ribbon cable connector, for mounting on NS 35 rails, with pin strip and short and long locking latches for socket strips, 26-pos., with LED

Your advantages

- 10 to 64-pos.
- Metal foot
- According to IEC 60603-13
- 1:1 connection
- Screw connection



Key Commercial Data

Packing unit	1 pc
GTIN	 4 046356 450843
GTIN	4046356450843
Weight per Piece (excluding packing)	160.000 g
Custom tariff number	85366990
Country of origin	United States

Technical data

Dimensions

Width	57.4 mm
Height	69 mm
Depth	62 mm

Ambient conditions

Interface module - VIP-3/SC/FLK26/LED - 2322087

Technical data

Ambient conditions

Ambient temperature (operation)	-20 °C ... 50 °C
Ambient temperature (storage/transport)	-20 °C ... 70 °C

General

Nominal voltage U _N	24 V DC
Max. perm. current (per branch)	1 A
Number of positions	26
Status display	LED
Mounting position	any

Connection data

Connection name	Field level
Connection in acc. with standard	IEC / EN
Connection method	Screw connection
Stripping length	8 mm
Screw thread	M3
Conductor cross section solid	0.2 mm ² ... 4 mm ²
Conductor cross section flexible	0.2 mm ² ... 2.5 mm ²
Conductor cross section AWG	24 ... 12

Connection data 2

Connection name	Controller level
Connection method	IDC/FLK pin strip
Number of connections	1
Number of positions	26
Pitch	2.54 mm

Standards and Regulations

Connection in acc. with standard	CUL
Standards/regulations	IEC 60664
	DIN EN 50178
Degree of pollution	2
Overvoltage category	II
Flammability rating according to UL 94	V0

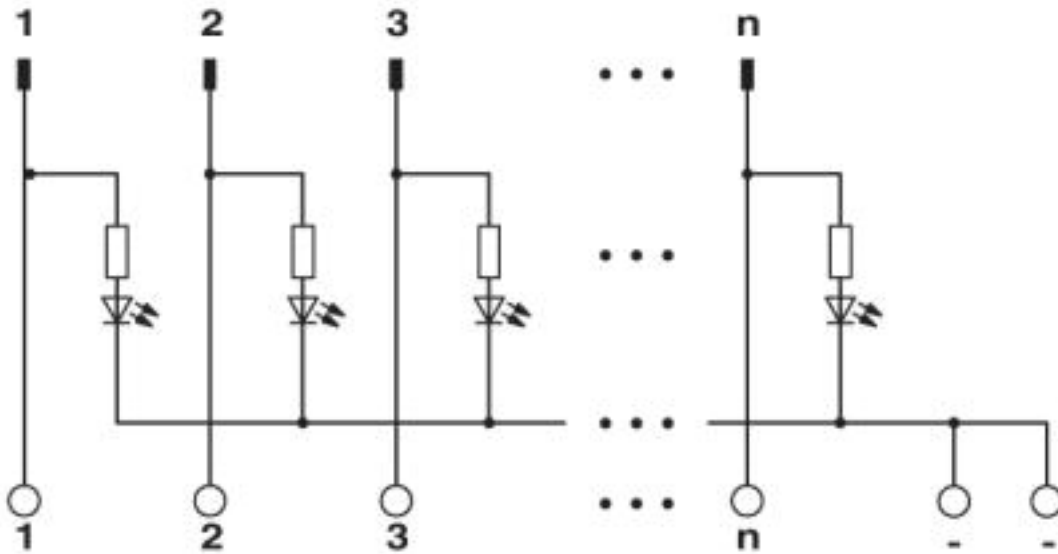
Environmental Product Compliance

	Lead 7439-92-1
China RoHS	Environmentally Friendly Use Period = 50
	For details about hazardous substances go to tab "Downloads", Category "Manufacturer's declaration"

Interface module - VIP-3/SC/FLK26/LED - 2322087

Drawings

Circuit diagram



Classifications

eCl@ss

eCl@ss 4.0	27250300
eCl@ss 4.1	27250300
eCl@ss 5.0	27250300
eCl@ss 5.1	27250300
eCl@ss 6.0	27242600
eCl@ss 7.0	27141152
eCl@ss 8.0	27141152
eCl@ss 9.0	27141152

ETIM

ETIM 4.0	EC002780
ETIM 5.0	EC002780
ETIM 6.0	EC002780
ETIM 7.0	EC002780

UNSPSC

UNSPSC 6.01	30211824
UNSPSC 7.0901	39121421
UNSPSC 11	39121421

Interface module - VIP-3/SC/FLK26/LED - 2322087

Classifications

UNSPSC

UNSPSC 12.01	39121421
UNSPSC 13.2	39121432

Approvals


Approvals


Approvals


CSA / UL Recognized / cUL Recognized / cULus Recognized

Ex Approvals

Approval details

CSA		http://www.csagroup.org/services-industries/product-listing/	2122203
Nominal voltage UN		24 V	
Nominal current IN		1 A	
mm ² /AWG/kcmil		28-12	

UL Recognized		http://database.ul.com/cgi-bin/XYV/template/LISEXT/1FRAME/index.htm	FILE E 238705
Nominal voltage UN		24 V	
Nominal current IN		1 A	
mm ² /AWG/kcmil		30-12	

cUL Recognized		http://database.ul.com/cgi-bin/XYV/template/LISEXT/1FRAME/index.htm	FILE E 238705
Nominal voltage UN		24 V	
Nominal current IN		1 A	

Interface module - VIP-3/SC/FLK26/LED - 2322087

Approvals

mm ² /AWG/kcmil	30-12
----------------------------	-------

cULus Recognized	
------------------	--

Accessories

Accessories

System cable

Cable - FLK 26/EZ-DR/ 50/KONFEK - 2299385



Round cable set; connection 1: IDC/FLK socket strip (1x 26-position); connection 2: IDC/FLK socket strip (1x 26-position); cable length: 0.5 m

Cable - FLK 26/EZ-DR/ 100/KONFEK - 2299398



Round cable set; connection 1: IDC/FLK socket strip (1x 26-position); connection 2: IDC/FLK socket strip (1x 26-position); cable length: 1 m

Cable - FLK 26/EZ-DR/ 150/KONFEK - 2299408



Round cable set; connection 1: IDC/FLK socket strip (1x 26-position); connection 2: IDC/FLK socket strip (1x 26-position); cable length: 1.5 m

Cable - FLK 26/EZ-DR/ 300/KONFEK - 2299424



Round cable set; connection 1: IDC/FLK socket strip (1x 26-position); connection 2: IDC/FLK socket strip (1x 26-position); cable length: 3 m

Interface module - VIP-3/SC/FLK26/LED - 2322087

Accessories

Cable - FLK 26/EZ-DR/ 400/KONFEK - 2299437



Round cable set; connection 1: IDC/FLK socket strip (1x 26-position); connection 2: IDC/FLK socket strip (1x 26-position); cable length: 4 m

Cable - FLK 26/EZ-DR/ 600/KONFEK - 2299440



Round cable set; connection 1: IDC/FLK socket strip (1x 26-position); connection 2: IDC/FLK socket strip (1x 26-position); cable length: 6 m

Cable - FLK 26/EZ-DR/ 800/KONFEK - 2299453



Round cable set; connection 1: IDC/FLK socket strip (1x 26-position); connection 2: IDC/FLK socket strip (1x 26-position); cable length: 8 m

Cable - FLK 26/EZ-DR/1000/KONFEK - 2299466



Round cable set; connection 1: IDC/FLK socket strip (1x 26-position); connection 2: IDC/FLK socket strip (1x 26-position); cable length: 10 m

Cable - FLK EZ-DR.../.../... - 2295059



Round cable, with preassembly, not shielded, variable cable length
