

Modem - PSI-MODEM-SHDSL/SERIAL - 2313669

Please be informed that the data shown in this PDF Document is generated from our Online Catalog. Please find the complete data in the user's documentation. Our General Terms of Use for Downloads are valid (<http://phoenixcontact.com/download>)



Industrial SHDSL extender for serial RS-232/422/485 interfaces, point-to-point and line structures, serial data transmission up to 2000 kbps on in-house cables, diagnostics via USB and LEDs, two configurable alarm outputs

Product Features

- Distances up to 20 km
- RS-232, up to 230.4 kbps
- RS-422, up to 2000 kbps
- RS-485, up to 2000 kbps
- Robust modulation method (SHDSL)
- Two digital outputs for alerting external controllers
- Easy configuration
- For in-house cables



Key Commercial Data

| | |
|--------------------------------------|----------|
| Packing unit | 1 pc |
| Weight per Piece (excluding packing) | 360.0 g |
| Custom tariff number | 85176200 |
| Country of origin | Germany |

Technical data

Note

| | |
|-------------------------|---|
| Utilization restriction | EMC: class A product, see manufacturer's declaration in the download area |
|-------------------------|---|

Dimensions

| | |
|--------|-------|
| Width | 35 mm |
| Height | 99 mm |

Modem - PSI-MODEM-SHDSL/SERIAL - 2313669

Technical data

Dimensions

| | |
|-------|----------|
| Depth | 114.5 mm |
|-------|----------|

Ambient conditions

| | |
|--|--|
| Ambient temperature (operation) | -20 °C ... 60 °C (for derating, see technical documentation) |
| Ambient temperature (storage/transport) | -40 °C ... 85 °C |
| Permissible humidity (operation) | 10 % ... 95 % (non-condensing) |
| Permissible humidity (storage/transport) | 10 % ... 95 % (non-condensing) |
| Altitude | 5000 m (For restrictions see manufacturer's declaration) |
| Degree of protection | IP20 |
| Noise immunity | EN 61000-6-2 |

General

| | |
|--|---|
| Electrical isolation | DIN EN 50178 (VCC, RS-232 // RS-422, RS-485 // DSL (A) // DSL (B) // FE) |
| Test voltage data interface/power supply | 1.5 kV _{rms} (50 Hz, 1 min.) |
| Electromagnetic compatibility | Conformance with EMC Directive 2004/108/EC (valid until 19.04.2016) / 2014/30/EU (valid from 20.04.2016) |
| Noise emission | EN 55011 |
| Net weight | 339.4 g |
| Housing material | PA 6.6-FR |
| Color | green |
| MTBF | 1004 Years (Telcordia standard, 25°C temperature, 21% operating cycle (5 days a week, 8 hours a day)) 199 Years (Telcordia standard, 40°C temperature, 34.25% operating cycle (5 days a week, 12 hours a day)) |
| MTTF | 693 Years (SN 29500 standard, temperature 25°C, operating cycle 21 % (5 days a week, 8 hours a day)) 301 Years (SN 29500 standard, temperature 40 °C, operating cycle 34.25 % (5 days a week, 12 hours a day)) 121 Years (SN 29500 standard, temperature 40°C, operating cycle 100 % (7 days a week, 24 hours a day)) |
| Conformance | CE-compliant |
| ATEX | # II 3 G Ex nA nC IIC T4 Gc X (Please follow the special installation instructions in the documentation!) |
| UL, USA / Canada | cULus listed UL 508 |

Power supply

| | |
|-----------------------------|--|
| Nominal supply voltage | 24 V DC ±5 % (as an alternative or redundant, via backplane bus contact and system current supply) |
| | 5 V DC (configuration only, via mini-USB type B) |
| Supply voltage range | 18 V DC ... 30 V DC |
| Typical current consumption | < 180 mA (24 V DC) |

Modem - PSI-MODEM-SHDSSL/SERIAL - 2313669

Technical data

Power supply

| | |
|-------------------|---------------------------------------|
| Connection method | COMBICON plug-in screw terminal block |
|-------------------|---------------------------------------|

Serial interface

| | |
|---------------------------------------|---|
| Interface 1 | V.24 (RS-232) interface in acc. with ITU-T V.28, EIA/TIA-232, DIN 66259-1 |
| Interface | RS-232 |
| Connection method | D-SUB-9 plug |
| Transmission length | max. 15 m |
| Termination resistor | 390 Ω - 180 Ω - 390 Ω (can be connected) |
| Conductor cross section solid min. | 0.2 mm ² |
| Conductor cross section solid max. | 2.5 mm ² |
| Conductor cross section flexible min. | 0.2 mm ² |
| Conductor cross section flexible max. | 2.5 mm ² |
| Conductor cross section AWG min. | 24 |
| Conductor cross section AWG max. | 13 |
| Data flow control/protocols | Software handshake, Xon/Xoff, hardware handshake (RTS/CTS), 3964R-compatible, Modbus (RTU/ASCII), transparent protocol - additional protocols supported |
| Serial transmission speed | 0.11/0.3/1.2/2.4/4.8/9.6/19.2/38.4/57.6/115.2/230.4 kbps, NRZ |
| Interface 2 | SHDSL interface according to ITU-T G.991.2.bis |
| Connection method | 2 x 2-pos. COMBICON plug-in screw terminal blocks |
| Transmission length | up to 20 km (Depending on data rate and cable cross section) |
| Serial transmission speed | 4-wire operation: 64 kbps ... 30 Mbps |
| | 2-wire operation: 32 kbps ... 15.3 Mbps |
| Interface 3 | USB 2.0 |
| Connection method | Mini-USB type B, 5-pos. |
| Transmission length | < 5 m (only for configuration and diagnostics) |
| Interface 4 | RS-422 interface in acc. with ITU-T V.11, EIA/TIA-422, DIN 66348-1 |
| Interface | RS-422 |
| Connection method | Plug-in/screw connection via COMBICON |
| File format/coding | Serial asynchronous UART/NRZ, 7/8 data bits, 1/2 stop bits, 1 parity bit (even, odd, mark, space, none), 9/10/11-bit character length |
| Transmission length | ≤ 1200 m |
| Termination resistor | 390 Ω - 180 Ω - 390 Ω (can be connected) |
| Data flow control/protocols | Automatic control // Modbus RTU/ASCII |
| Serial transmission speed | 1.2/2.4/4.8/7.0/9.6/19.2/38.4/57.6/75/93.75/115.2/136/187.5/375/500/1500/2000 kbps, NRZ |
| Interface 5 | RS-485 interface, in acc. with EIA/TIA-485, DIN 66259-4/RS-485 2-wire |
| Interface | RS-485 |
| Connection method | Plug-in/screw connection via COMBICON |

Modem - PSI-MODEM-SHDSL/SERIAL - 2313669

Technical data

Serial interface

| | |
|-----------------------------|---|
| File format/coding | Serial asynchronous UART/NRZ, 7/8 data, 1/2 stop, 1 parity, 10/11-bit character length |
| Transmission length | up to 1200 m |
| Termination resistor | 390 Ω - 180 Ω - 390 Ω (can be connected) |
| Protocols supported | Transparent, including 3964R protocol |
| Data flow control/protocols | Automatic control // Modbus RTU/ASCII |
| Serial transmission speed | 1.2/2.4/4.8/7.0/9.6/19.2/38.4/57.6/75/93.75/115.2/136/187.5/375/500/1500/2000 kbps, NRZ |

Function

| | |
|----------------------------------|---|
| Management | User-friendly software: Guided configuration, plausibility checks, diagnostic functions, log book |
| Status and diagnostic indicators | LEDs: VCC (supply voltage), RD/TD (serial data traffic), ERR (errors), TERM (termination resistor active), RS-232 (RS-232 active) 2 x LINK / 2 x STAT (DSL data traffic port A and port B), DIAG (diagnostic messages) |

Digital outputs

| | |
|-------------------------|---|
| Output name | Digital output |
| Number of outputs | 2 |
| Voltage output signal | depending on the operating voltage |
| Current output signal | ≤ 150 mA (Short-circuit-proof) |
| Behavior of the outputs | Deactivated for device supply via T-BUS |

Standards and Regulations

| | |
|-------------------------------|--|
| Electromagnetic compatibility | Conformance with EMC Directive 2004/108/EC (valid until 19.04.2016) / 2014/30/EU (valid from 20.04.2016) |
| Shock | 15g in all directions in acc. with IEC 60068-2-27 |
| Noise emission | EN 55011 |
| Noise immunity | EN 61000-6-2 |
| Vibration (operation) | In acc. with IEC 60068-2-6: 5g, 150 Hz |
| Conformance | CE-compliant |
| ATEX | # II 3 G Ex nA nC IIC T4 Gc X |
| UL, USA / Canada | cULus listed UL 508 |

Classifications

eCl@ss

| | |
|------------|----------|
| eCl@ss 4.0 | 27240490 |
| eCl@ss 4.1 | 27240490 |
| eCl@ss 5.0 | 27242208 |

Modem - PSI-MODEM-SHDSSL/SERIAL - 2313669

Classifications

eCl@ss

| | |
|------------|----------|
| eCl@ss 5.1 | 27242208 |
| eCl@ss 6.0 | 27242208 |
| eCl@ss 7.0 | 27242208 |
| eCl@ss 8.0 | 19060590 |
| eCl@ss 9.0 | 19060590 |

ETIM

| | |
|----------|----------|
| ETIM 2.0 | EC000310 |
| ETIM 3.0 | EC000740 |
| ETIM 4.0 | EC000740 |
| ETIM 5.0 | EC000740 |

UNSPSC

| | |
|---------------|----------|
| UNSPSC 6.01 | 30211506 |
| UNSPSC 7.0901 | 39121008 |
| UNSPSC 11 | 39121008 |
| UNSPSC 12.01 | 39121008 |
| UNSPSC 13.2 | 43201553 |

Approvals

Approvals

Approvals

UL Listed / cUL Listed / EAC / cULus Listed

Ex Approvals

ATEX / ATEX

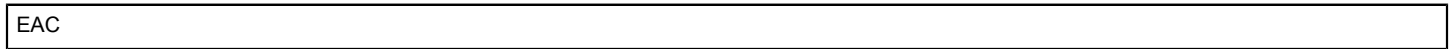
Approvals submitted

Approval details

| |
|-----------|
| UL Listed |
|-----------|

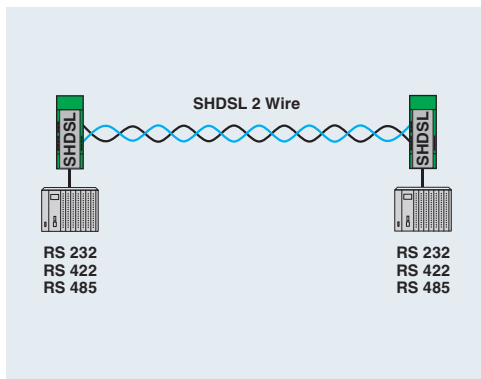
Modem - PSI-MODEM-SHDSL/SERIAL - 2313669

Approvals



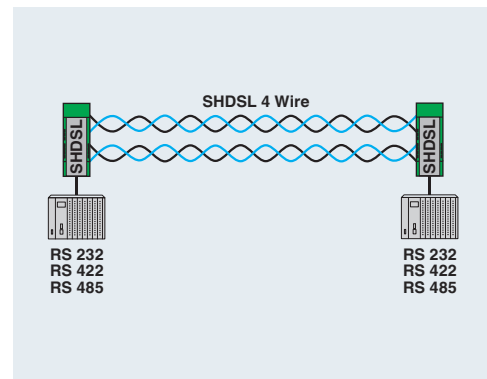
Drawings

Application drawing



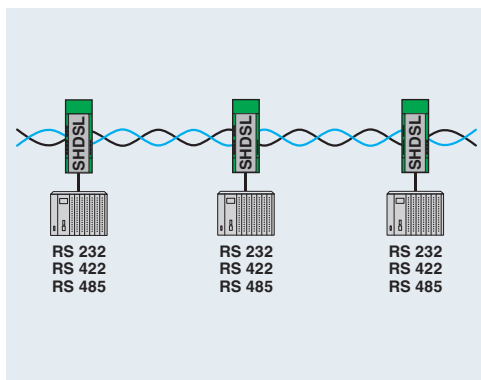
Point-to-point connection (2-wire)

Application drawing



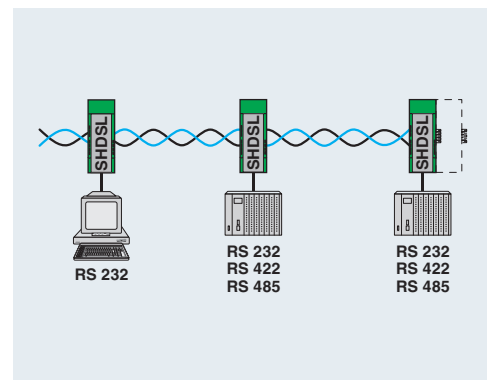
Point-to-point connection (4-wire)

Application drawing



Linear structure (2-wire)

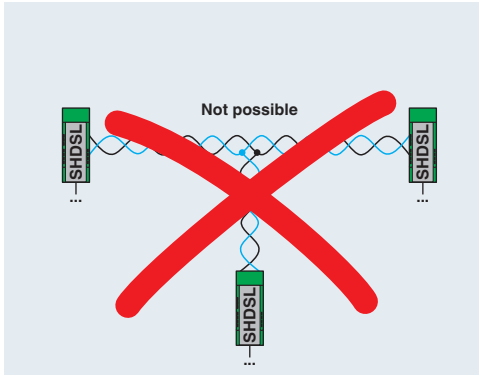
Application drawing



Linear structure (2-wire)

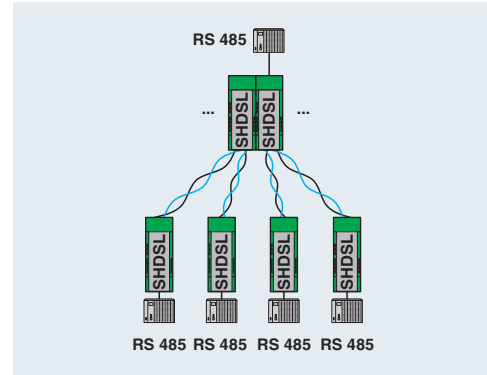
Modem - PSI-MODEM-SHDSL/SERIAL - 2313669

Application drawing



Multipoint communication via SHDSL not supported

Application drawing



Star structure via DIN rail connector