

Mounting base housing - EH 67,5-B/ABS BK9005 - 2201486

Please be informed that the data shown in this PDF Document is generated from our Online Catalog. Please find the complete data in the user's documentation. Our General Terms of Use for Downloads are valid (<http://phoenixcontact.com/download>)



DIN rail housing, Lower housing part with base latch, tall design, with vents, width: 67.6 mm, height: 75 mm, depth: 87.3 mm, color: black (9005)

Your advantages

- ✓ DIN rail or wall mounting for application-specific device attachment
- ✓ Easy design-in, thanks to variable housing form factor
- ✓ Complete flexibility, thanks to PCBs with horizontal, frontal, and orthogonal orientation to the front of the device
- ✓ Three cover versions for individual PCB connections
- ✓ Integration of a wide variety of PCB connection technologies for a functional device design



Key Commercial Data

| | |
|--------------------------------------|---------------------|
| Packing unit | 1 pc |
| Minimum order quantity | 10 pc |
| GTIN | 4 046356 809344 |
| GTIN | 4046356809344 |
| Weight per Piece (excluding packing) | 72.000 g |
| Custom tariff number | 85389099 |
| Country of origin | India |

Technical data

Item properties

| | |
|---------------------------|-----------------------|
| Brief article description | Mounting base housing |
| Type | EH 67,5-B/ABS BK9005 |
| Order No. | 2201486 |
| Housing type | DIN rail housing |

Mounting base housing - EH 67,5-B/ABS BK9005 - 2201486

Technical data

Item properties

| | |
|------------------------------|--|
| Housing series | EH |
| Type | Lower housing part with base latch, tall design |
| Max. IP code to attain | IP20 |
| Mounting type | DIN rail mounting/wall mounting (with optional base latch) |
| Ventilation openings present | yes |

Dimensions

| | |
|--|---------|
| Width [w] | 67.6 mm |
| Height [h] | 75 mm |
| Depth [d] | 87.3 mm |
| Depth from top edge of DIN rail to support point on upper part [d] | 83 mm |

Material data

| | |
|--|--------------|
| Color (RAL) | black (9005) |
| Flammability rating according to UL 94 | HB |
| Housing material | ABS |

Ambient conditions

| | |
|---|---|
| Ambient temperature (storage/transport) | -40 °C ... 55 °C |
| Ambient temperature (assembly) | -5 °C ... 80 °C |
| Ambient temperature (operation) | -40 °C ... 80 °C (depending on power dissipation) |

PCB data

| | |
|-----------------------|--------------------------------|
| Number of PCB holders | 7 |
| PCB thickness | 1.4 mm ... 1.8 mm |
| Mounting position | Vertical (horizontal DIN rail) |
| Type of PCB mount | Latching |

Mechanical strength/tumbling barrel

| | |
|-----------------------|---------------------|
| Specification | IEC 60998-1:2002-12 |
| Height of fall | 50 cm |
| Number of drop cycles | 10 |

Vibration test

| | |
|------------------------|------------------------|
| Specification | IEC 60068-2-6:2007-12 |
| Frequency | 10 - 150 - 10 Hz |
| Sweep speed | 1 octave/min |
| Amplitude | 0.15 mm (10 - 58.1 Hz) |
| Acceleration | 2g (58.1 - 150 Hz) |
| Test duration per axis | 2.5 h |
| Test directions | X-, Y- and Z-axis |

Mounting base housing - EH 67,5-B/ABS BK9005 - 2201486

Technical data

Shock

| | |
|--------------------------------|-----------------------------------|
| Specification | IEC 60068-2-27:2008-02 |
| Pulse shape | Half-sine |
| Acceleration | 15g |
| Shock duration | 11 ms |
| Number of shocks per direction | 3 |
| Test directions | X-, Y- and Z-axis (pos. and neg.) |

Thermostability (Ball Thrust Test)

| | |
|---------------|------------------------|
| Specification | IEC 60695-10-2:2014-02 |
| Temperature | 80 °C |
| Test duration | 1 h |
| Force | 20 N |

Degrees of protection provided by housings (IP code)

| | |
|---------------------------------------|---|
| Specification | IEC 60529:1989-11 + AMD 1:1999-11 + AMD 2:2013-08 |
| Result, degree of protection, IP code | IP20 |

General information

| | |
|--------------|---|
| Type of note | Assembly instruction: |
| Note | Refer to the data sheet for the range in the download area. |

Packaging information

| | |
|----------------------------|---------------------|
| Type of packaging | packed in cardboard |
| Pieces per package | 10 |
| Denomination packing units | Pcs. |
| Outer packaging type | Carton |

Standards and regulations

| | |
|--|----|
| Flammability rating according to UL 94 | HB |
|--|----|

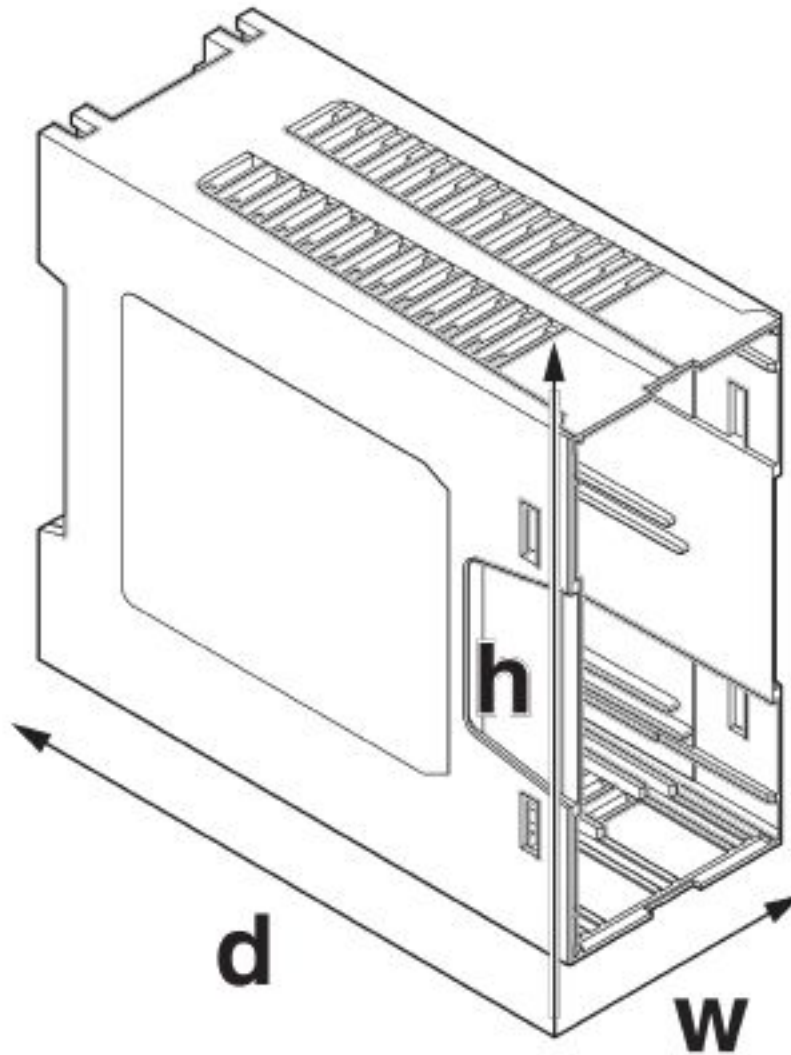
Environmental Product Compliance

| | |
|------------|---|
| China RoHS | Environmentally friendly use period: unlimited = EFUP-e |
| | No hazardous substances above threshold values |

Drawings

Mounting base housing - EH 67,5-B/ABS BK9005 - 2201486

Dimensional drawing



Classifications

eCl@ss

| | |
|---------------|----------|
| eCl@ss 10.0.1 | 27182702 |
| eCl@ss 4.0 | 27180400 |
| eCl@ss 4.1 | 27180400 |
| eCl@ss 5.0 | 27180500 |
| eCl@ss 5.1 | 27180500 |
| eCl@ss 6.0 | 27180800 |
| eCl@ss 7.0 | 27182702 |

Mounting base housing - EH 67,5-B/ABS BK9005 - 2201486

Classifications

eCl@ss

| | |
|------------|----------|
| eCl@ss 8.0 | 27182702 |
| eCl@ss 9.0 | 27182702 |

ETIM

| | |
|----------|----------|
| ETIM 3.0 | EC001031 |
| ETIM 4.0 | EC001031 |
| ETIM 5.0 | EC001031 |
| ETIM 6.0 | EC001031 |
| ETIM 7.0 | EC001031 |

UNSPSC

| | |
|---------------|----------|
| UNSPSC 6.01 | 31261501 |
| UNSPSC 7.0901 | 31261501 |
| UNSPSC 11 | 31261501 |
| UNSPSC 12.01 | 31261501 |
| UNSPSC 13.2 | 31261501 |
| UNSPSC 18.0 | 31261501 |
| UNSPSC 19.0 | 31261501 |
| UNSPSC 20.0 | 31261501 |
| UNSPSC 21.0 | 31261501 |

Approvals

Approvals

Approvals

EAC

Ex Approvals

Approval details

| | | |
|-----|---|---------|
| EAC |  | B.01742 |
|-----|---|---------|

Mounting base housing - EH 67,5-B/ABS BK9005 - 2201486

Accessories

Accessories

Mounting material

Base latch - EH SNAPLOCK SET WALL MOUNT OG - 2202007



DIN rail housing, Base latch for wall mounting, width: 28.8 mm, height: 18.7 mm, depth: 4.15 mm, color: orange (2003)

Necessary add-on products

Upper part of housing - EH 67,5-C CS/ABS BK9005 - 2201521



DIN rail housing, Upper part, tall design, without connection opening, width: 67.5 mm, height: 75.26 mm, depth: 36.95 mm, color: black (9005)

Upper part of housing - EH 67,5-C CS/ABS GY7035 - 2201520



DIN rail housing, Upper part, tall design, without connection opening, width: 67.6 mm, height: 75.26 mm, depth: 36.95 mm, color: light gray (7035)

Upper part of housing - EH 67,5-C DS/ABS BK9005 - 2201517



DIN rail housing, Upper part, tall design, connection opening on both sides, width: 67.5 mm, height: 75.26 mm, depth: 36.95 mm, color: black (9005)

Mounting base housing - EH 67,5-B/ABS BK9005 - 2201486

Accessories

Upper part of housing - EH 67,5-C DS/ABS GY7035 - 2201518



DIN rail housing, Upper part, tall design, connection opening on both sides, width: 67.6 mm, height: 75.26 mm, depth: 36.95 mm, color: light gray (7035)

Upper part of housing - EH 67,5-C SS/ABS BK9005 - 2201516



DIN rail housing, Upper part, tall design, connection opening on one side, width: 67.6 mm, height: 75.26 mm, depth: 36.95 mm, color: black (9005)

Upper part of housing - EH 67,5-C SS/ABS GY7035 - 2201515



DIN rail housing, Upper part, tall design, connection opening on one side, width: 67.6 mm, height: 75.26 mm, depth: 36.95 mm, color: light gray (7035)
