

Sensor/actuator cable - SAC-4P-M12MR/0,15-PUR/M12FR TP - 1505164

Please be informed that the data shown in this PDF Document is generated from our Online Catalog. Please find the complete data in the user's documentation. Our General Terms of Use for Downloads are valid (<http://phoenixcontact.com/download>)

Sensor/actuator cable, 4-position, PUR/PVC, green RAL 6017, Plug angled M12, coding: A, on Socket angled M12, coding: A, cable length: 0.15 m



Key Commercial Data

Packing unit	1 pc
GTIN	 4 017918 902346
GTIN	4017918902346
Weight per Piece (excluding packing)	33.900 g
Custom tariff number	85444290
Country of origin	Poland

Technical data

Dimensions

Length of cable	0.15 m
-----------------	--------

Ambient conditions

Degree of protection	IP65
	IP67
	IP68

General

Rated current at 40°C	4 A
Rated voltage	250 V AC 250 V DC
Number of positions	4
Insulation resistance	≥ 100 MΩ
Coding	A - standard
Status display	No
Overvoltage category	II
Degree of pollution	3

Sensor/actuator cable - SAC-4P-M12MR/0,15-PUR/M12FR TP - 1505164

Technical data

General

Insertion/withdrawal cycles	≥ 100
-----------------------------	-------

Material

Flammability rating according to UL 94	HB
Contact material	CuSn
Contact surface material	Ni/Au
Contact carrier material	TPU GF
Material of grip body	TPU, hardly inflammable, self-extinguishing
Material, knurls	Zinc die-cast, nickel-plated
Sealing material	NBR

Standards and Regulations

Flammability rating according to UL 94	HB
----------------------------------------	----

Cable

Cable type	PUR/PVC green
Cable type (abbreviation)	350
Conductor cross section	0.5 mm ²
AWG signal line	20
Conductor structure signal line	28x 0.15 mm
Thickness, insulation	Core insulation
	approx. 1 mm (Inner sheath)
	approx. 0.7 mm (Outer cable sheath)
Wire colors	Brown-white, green-yellow
External sheath, color	green RAL 6017
External cable diameter	7.80 mm
Smallest bending radius, movable installation	78 mm
Number of bending cycles	2000000
Bending radius	78 mm
Traversing path	5 m
Traversing rate	3 m/s
Outer sheath, material	PUR
Material, inner sheath	PVC
Material conductor insulation	PVC
Conductor material	Bare Cu litz wires
Nominal voltage, cable	300 V
Test voltage, cable	1500 V
Ambient temperature (operation)	-25 °C ... 80 °C (cable, fixed installation)

Sensor/actuator cable - SAC-4P-M12MR/0,15-PUR/M12FR TP - 1505164

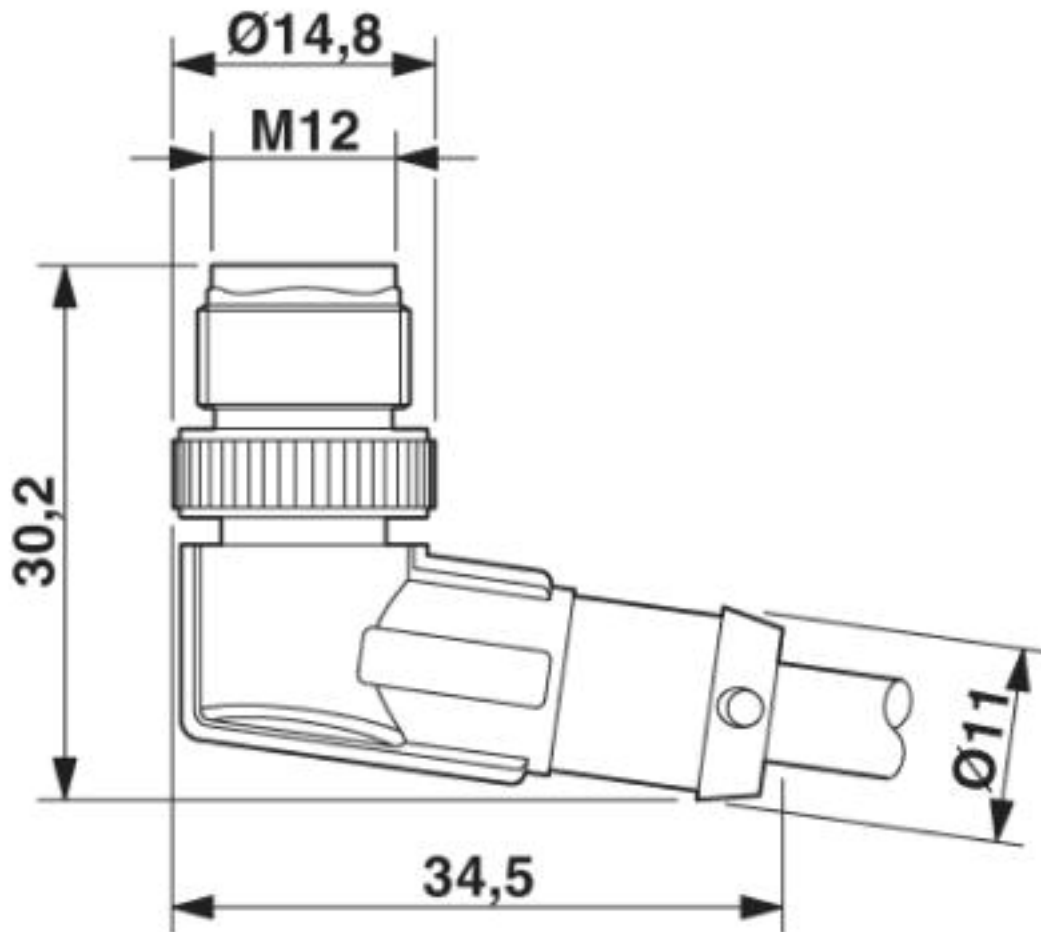
Technical data

Cable

	-5 °C ... 80 °C (cable, flexible installation)
--	------------------------------------------------

Drawings

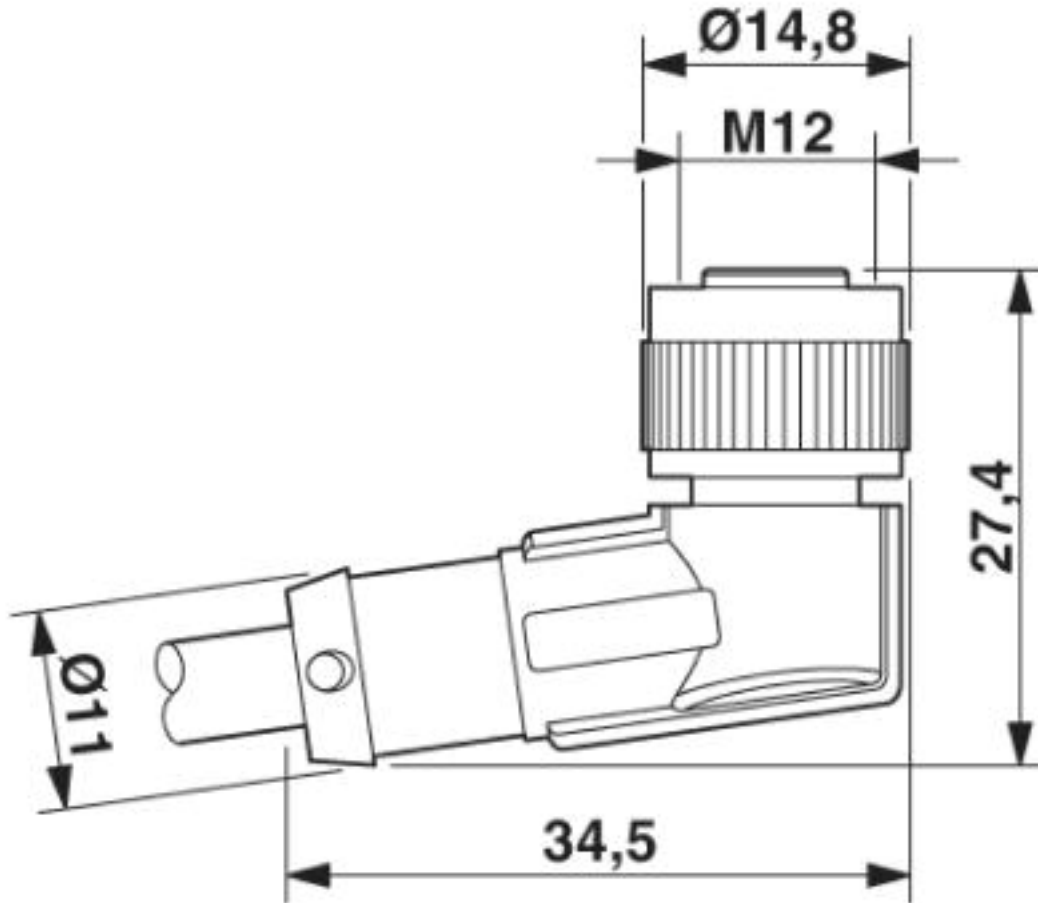
Dimensional drawing



M12 x 1 male plug, angled

Sensor/actuator cable - SAC-4P-M12MR/0,15-PUR/M12FR TP - 1505164

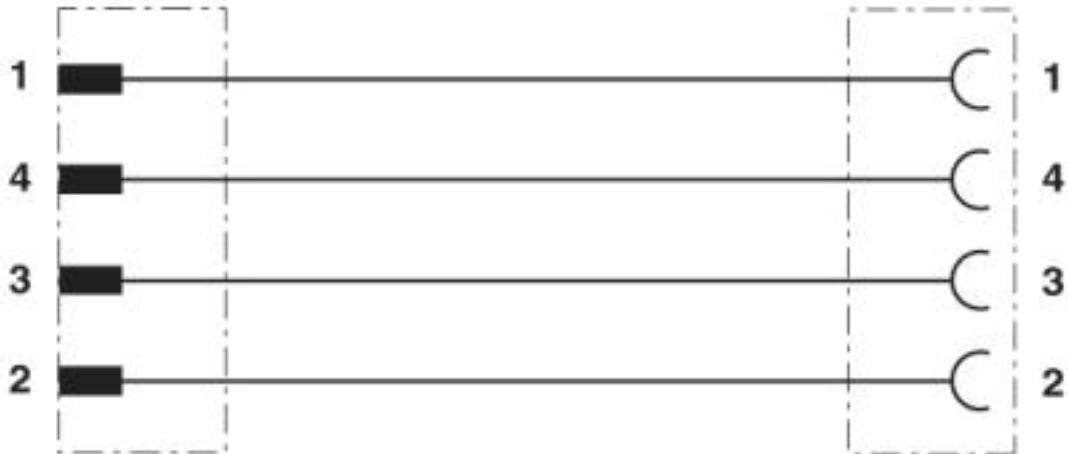
Dimensional drawing



M12 x 1 socket, angled

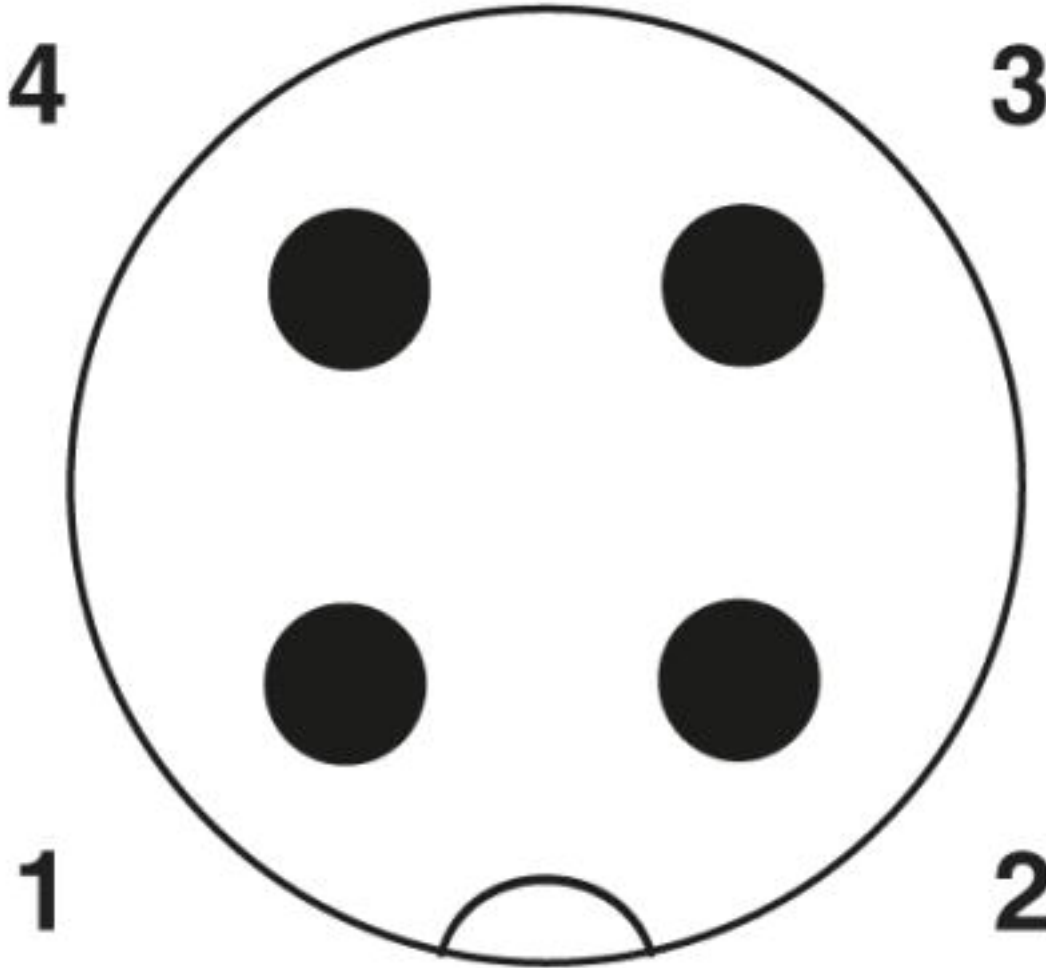
Sensor/actuator cable - SAC-4P-M12MR/0,15-PUR/M12FR TP - 1505164

Circuit diagram



Sensor/actuator cable - SAC-4P-M12MR/0,15-PUR/M12FR TP - 1505164

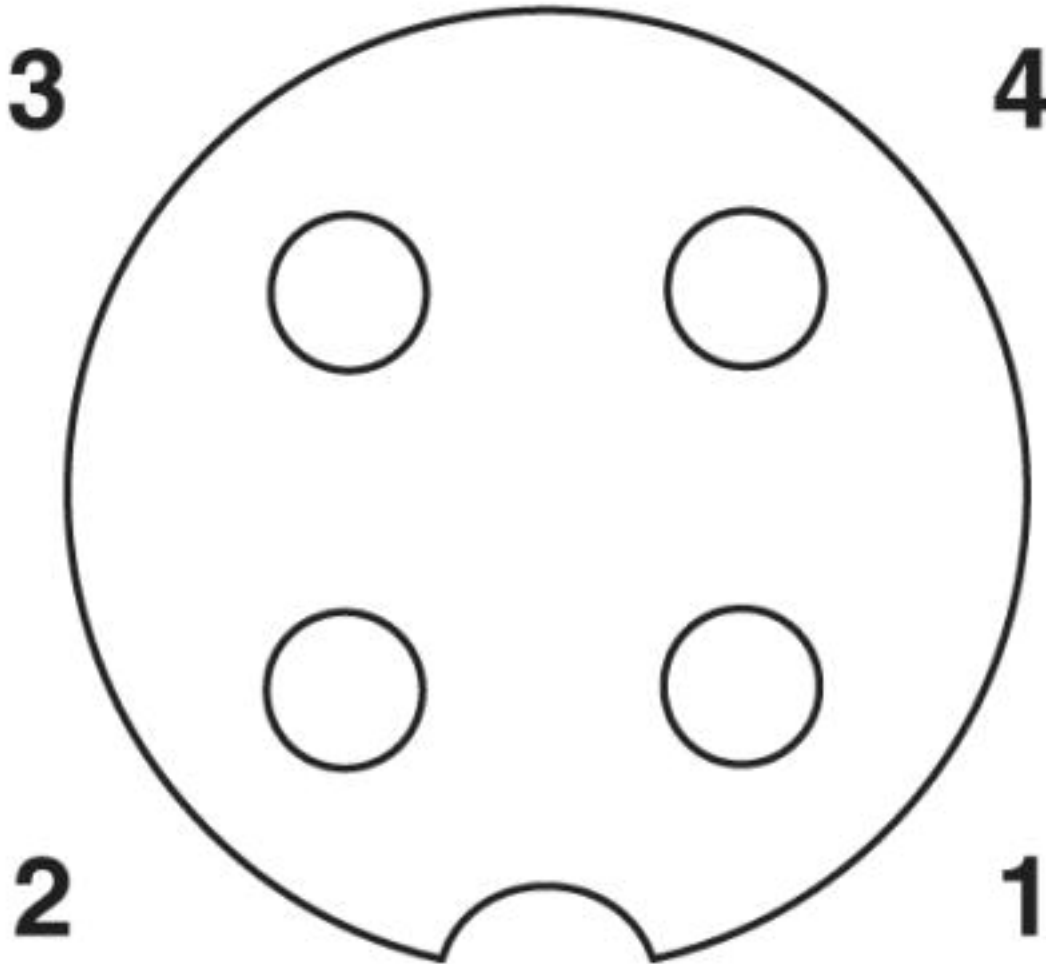
Schematic diagram



Pin assignment M12 plug, 4-pos., A-coded, view plug side

Sensor/actuator cable - SAC-4P-M12MR/0,15-PUR/M12FR TP - 1505164

Schematic diagram



Pin assignment M12 socket, 4-pos., A-coded, view female side

Classifications

eCl@ss

eCl@ss 4.0	27060306
eCl@ss 4.1	27060306
eCl@ss 5.0	27061801
eCl@ss 5.1	27061800
eCl@ss 6.0	27279200
eCl@ss 7.0	27279218
eCl@ss 8.0	27279218

Sensor/actuator cable - SAC-4P-M12MR/0,15-PUR/M12FR TP - 1505164

Classifications

eCl@ss

eCl@ss 9.0	27060311
------------	----------

ETIM

ETIM 2.0	EC000830
ETIM 3.0	EC001855
ETIM 4.0	EC001855
ETIM 5.0	EC001855
ETIM 6.0	EC001855

UNSPSC

UNSPSC 6.01	31251501
UNSPSC 7.0901	31251501
UNSPSC 11	31251501
UNSPSC 12.01	31251501
UNSPSC 13.2	31251501
UNSPSC 19.0	31251501