

# HONEYWELL

*See full Datasheet below...*

**onlinecomponents.com**  
*THE ONLINE DISTRIBUTOR OF ELECTRONIC COMPONENTS*

**BUY NOW**

 **MASTER**<sup>TM</sup>  
E L E C T R O N I C S

**BUY NOW**

masterelectronics.com & onlinecomponents.com  
are **authorized** e-commerce distributors  
of electronic components.

EXHT-AR403

M

DRAWING NUMBER

10

ISSUE

CMH

REVISIONS

A C058360

B C061381

C C073019

D 0012750

E 0025387

F 0070470

G 0096107

H 0116023

J 0124699

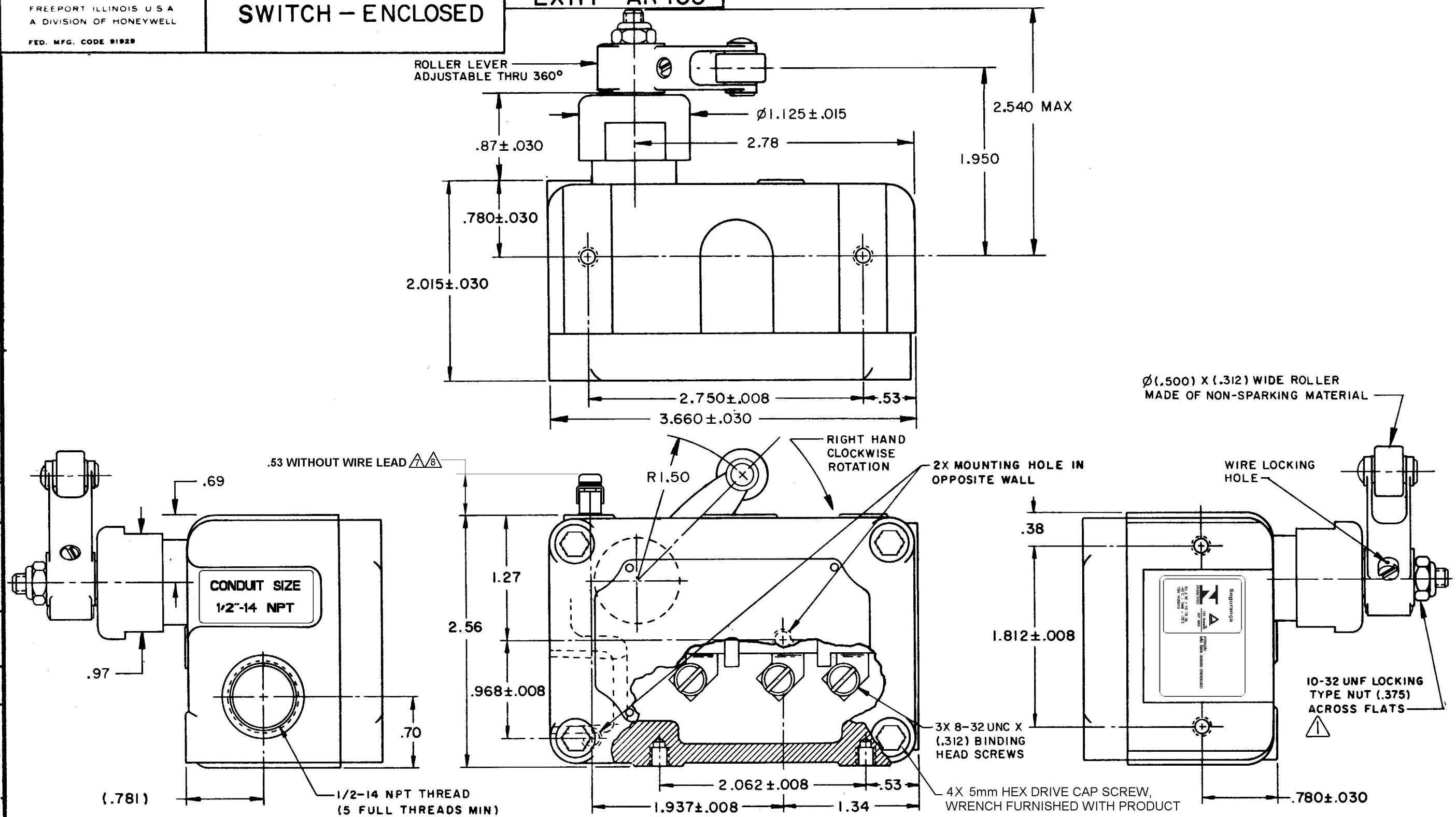
J A L 23 MAR 77

RELEASE NO. PR-6318-T  
16OCT15  
26APR05  
1 APR 77  
16OCT15  
23 MAR 77

**MICRO SWITCH**  
FREEPORT ILLINOIS U S A  
A DIVISION OF HONEYWELL  
FED. MFG. CODE 91928

**SWITCH - ENCLOSED**

CATALOG LISTING  
**EXHT-AR403**



THIS DRAWING COVERS A PROPRIETARY ITEM AND IS THE PROPERTY OF MICRO SWITCH, A DIVISION OF HONEYWELL. THIS DRAWING IS NOT TO BE COPIED OR USED WITHOUT THE APPROVAL OF MICRO SWITCH.

THIRD ANGLE PROJECTION

SCALE FULL  
DO NOT SCALE PRINT

- NOTES
- DO NOT APPLY MORE THAN 20-25 INCH POUNDS TORQUE WHEN TIGHTENING LOCK NUT
  - (8) MOUNTING SCREW HOLES, 10-32 NF-2B THREADS X .219 REF DEEP
  - LEVER PACKAGED SEPARATELY WITH SWITCH
  - EXPLOSION PROOF-UNDERWRITERS LAB. INC. LISTED FOR HAZARDOUS LOCATIONS NEMA 7, CLASS I, GROUPS C AND D, NEMA 9, CLASS II GROUPS E, F AND G ALUMINUM ENCLOSURE (UNPAINTED)
  - SEAL RATING: NEMA 1
  - EXTERNAL GROUND SCREW MAY BE ASSEMBLED TO ANY UNUSED MOUNTING SCREW HOLE
  - ASSEMBLE PROVIDED SPLIT LOCKWASHER BETWEEN GROND LUG AND HOUSING
  - EUROPEAN HAZARDOUS LOCATIONS DESIGNATION: Ex d IIB + H2 T2 CATAGORY II 2 G
  - SWITCH WILL WITHSTAND TEMPERATURE OF 400°F
  - BRAZILIAN HAZARDOUS LOCATION DESIGNATION: Ex d IIB+H2 T2 Gb -40 °C ≤ Tamb +204 °C

CHARACTERISTICS	
OPERATING FORCE	12-32 OZ
RELEASE FORCE	5 OZ MIN
PRETRAVEL	.219 MAX (8°)
DIFFERENTIAL TRAVEL	.016 MAX
DO NOT OVERTRAVEL MORE THAN	25°
SWITCH-BASIC REPLACEMENT	2HT28

ELECTRICAL DATA	
CONTACT ARRANGEMENT S P D T	
CODE L110 3A-125 OR 250VAC 1/10HP-125VAC; 1/8HP-250VAC	

TOLERANCES			
APPLY TO DESIGN UNITS. CONVERSIONS ARE ONLY FOR REFERENCE. UNLESS NOTED, TOLERANCES ARE:			
DWG.	TOL.	DWG.	TOL.
mm	mm/in	in	mm/in
NO PLACES	±	1/64	
ONE PLACE	±	0.4/010	±
TWO PLACES	±	0.16/005	±
THREE PLACES	±	0.12/005	±
FOUR PLACES	±	0.12/005	±

DESIGN UNITS: SI METRIC, US CUSTOMARY  
RAW MATERIAL-COMMERCIAL STANDARD  
MICRO SWITCH STANDARDS APPLY  
DIMENSIONS ARE TO BE MET BEFORE  
PROTECTIVE COATINGS ARE APPLIED  
WEIGHT

RASTER