

HONEYWELL

See full Datasheet below...

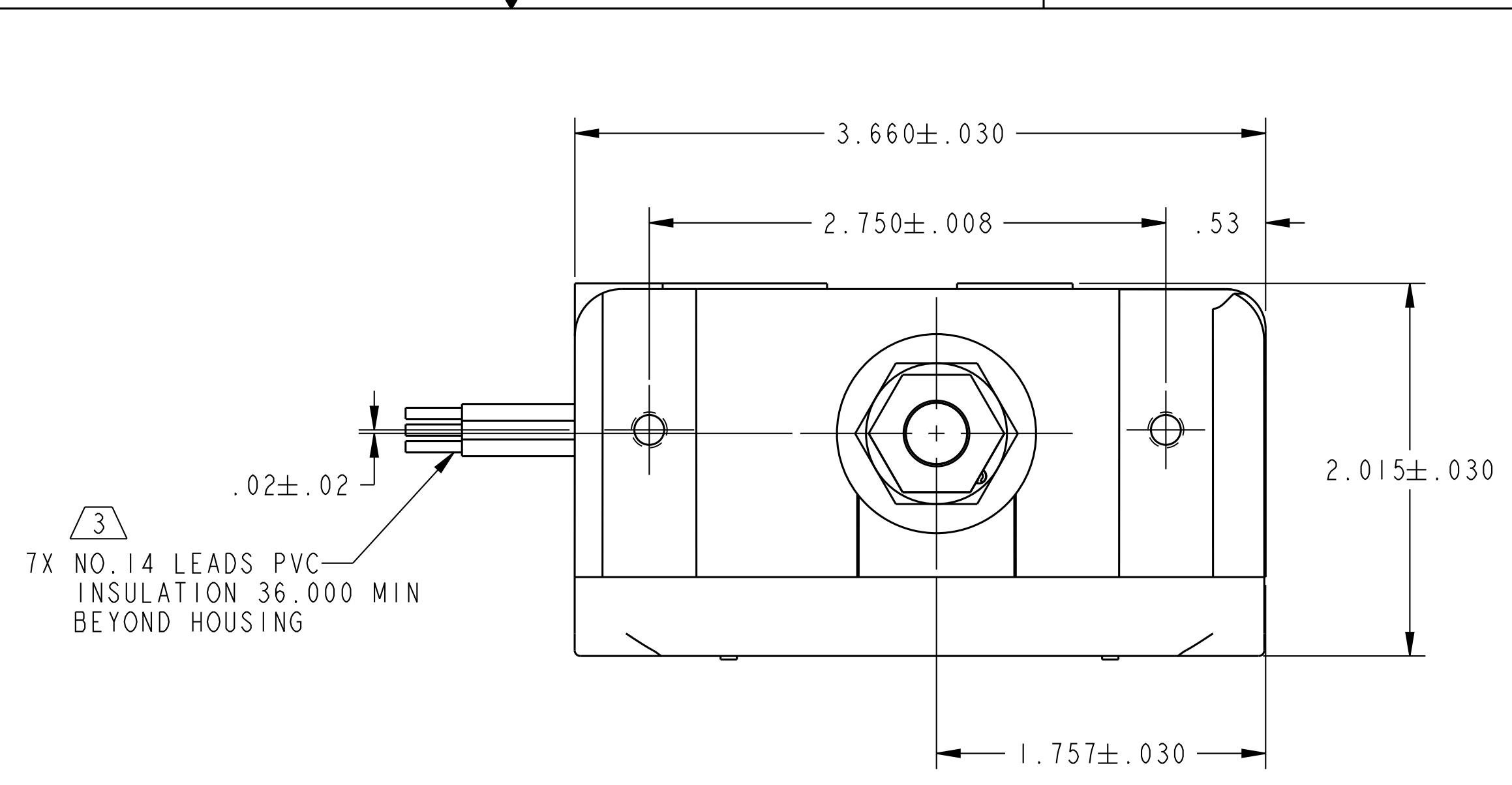
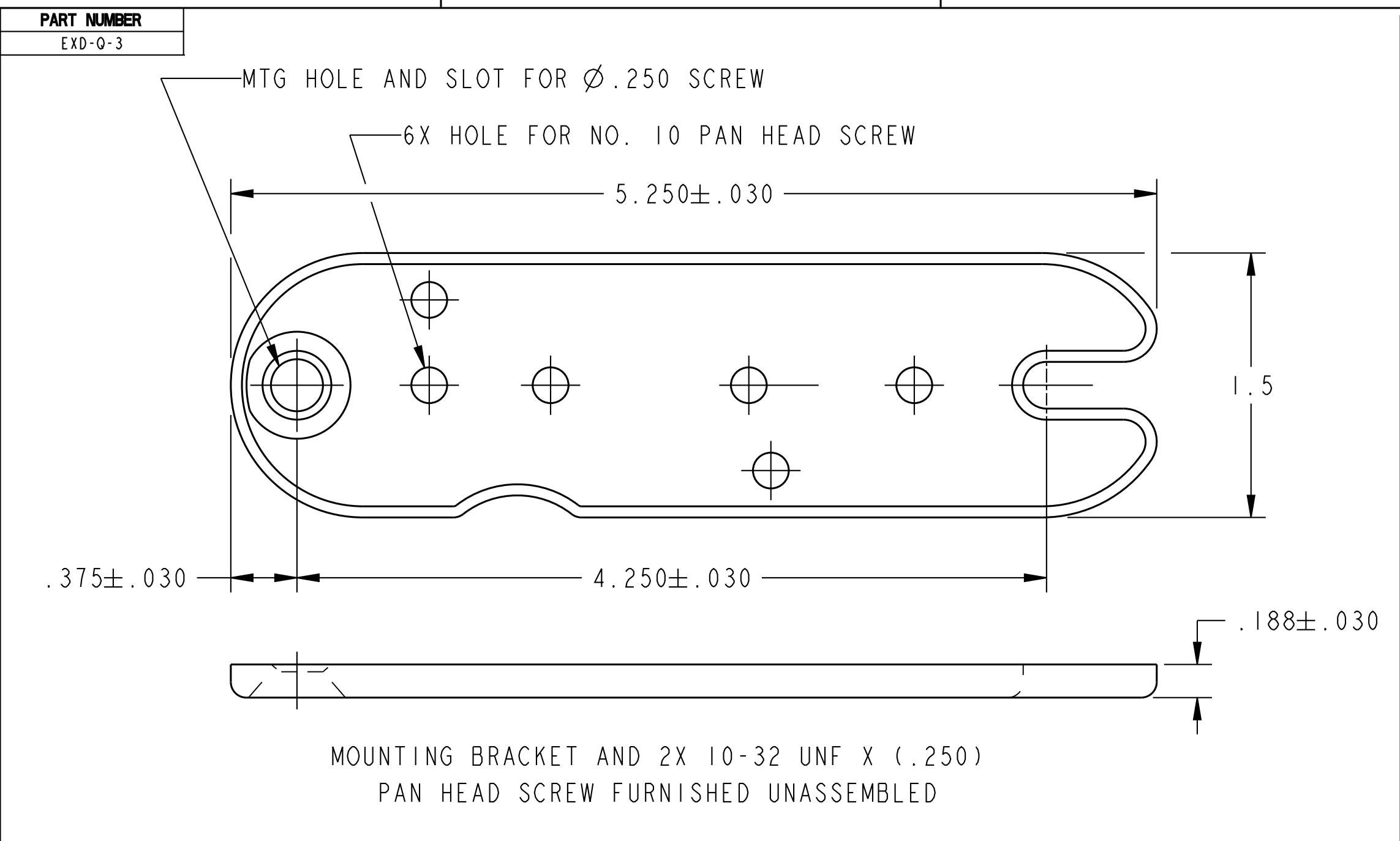
onlinecomponents.com
THE ONLINE DISTRIBUTOR OF ELECTRONIC COMPONENTS

BUY NOW

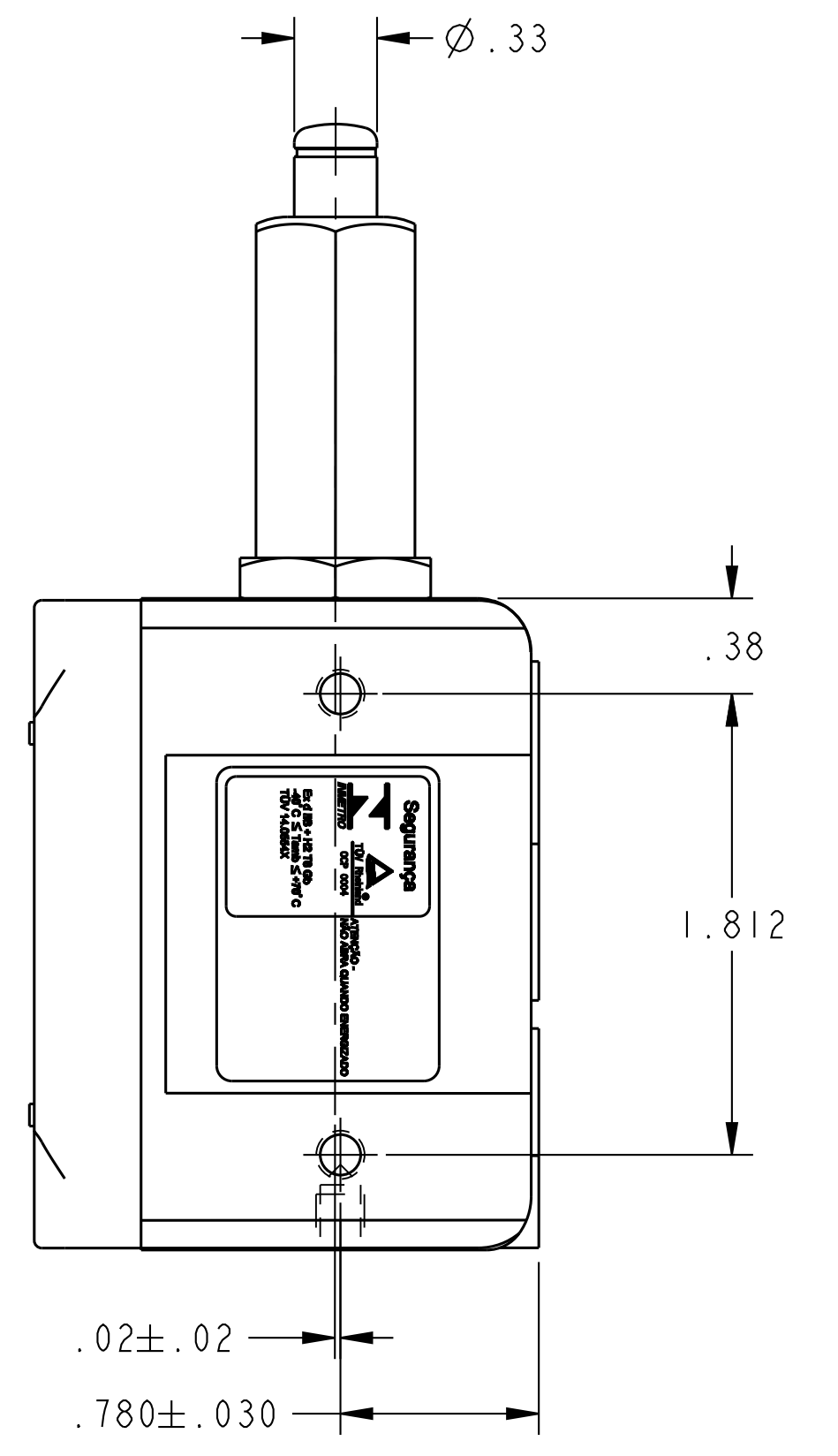
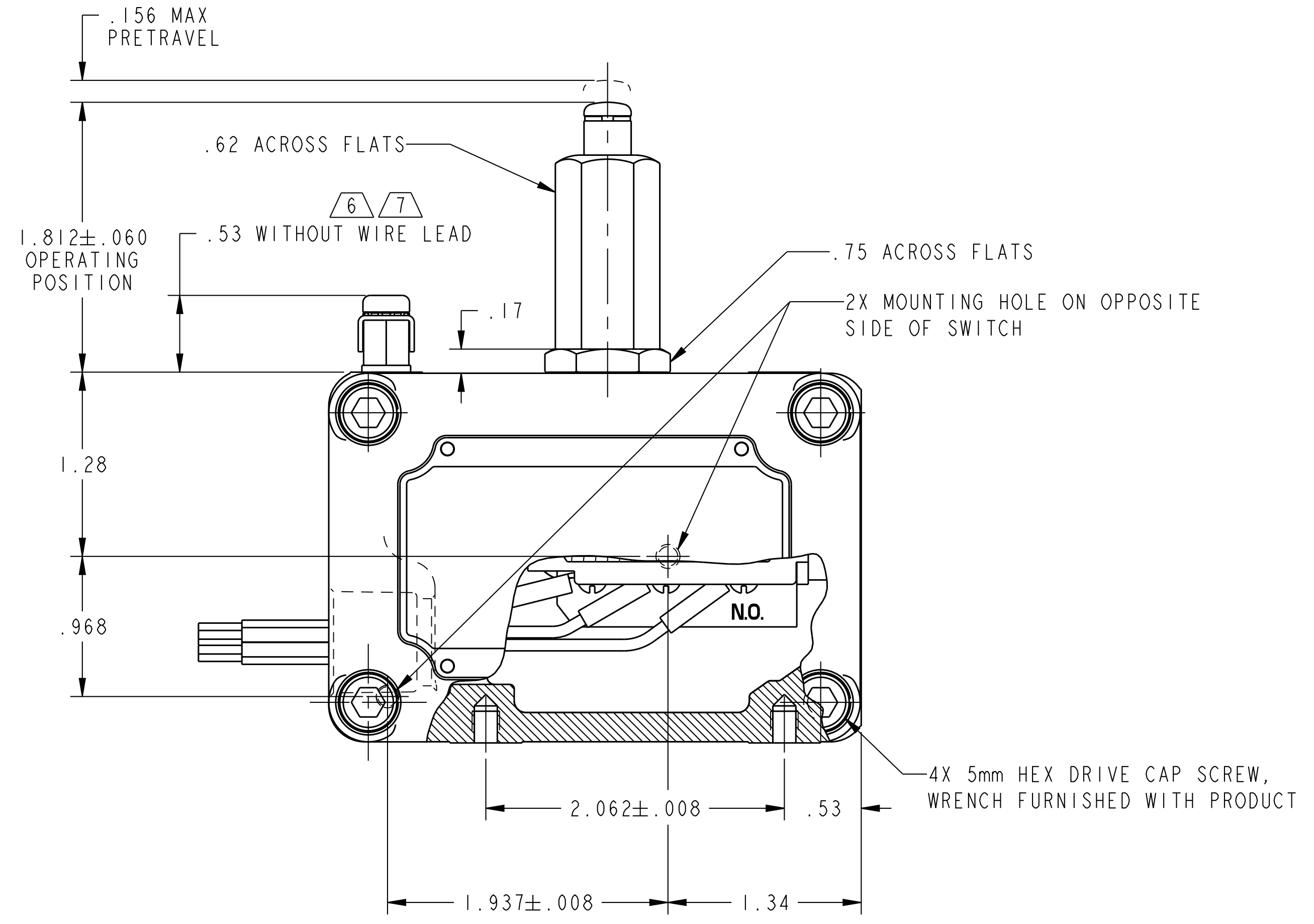
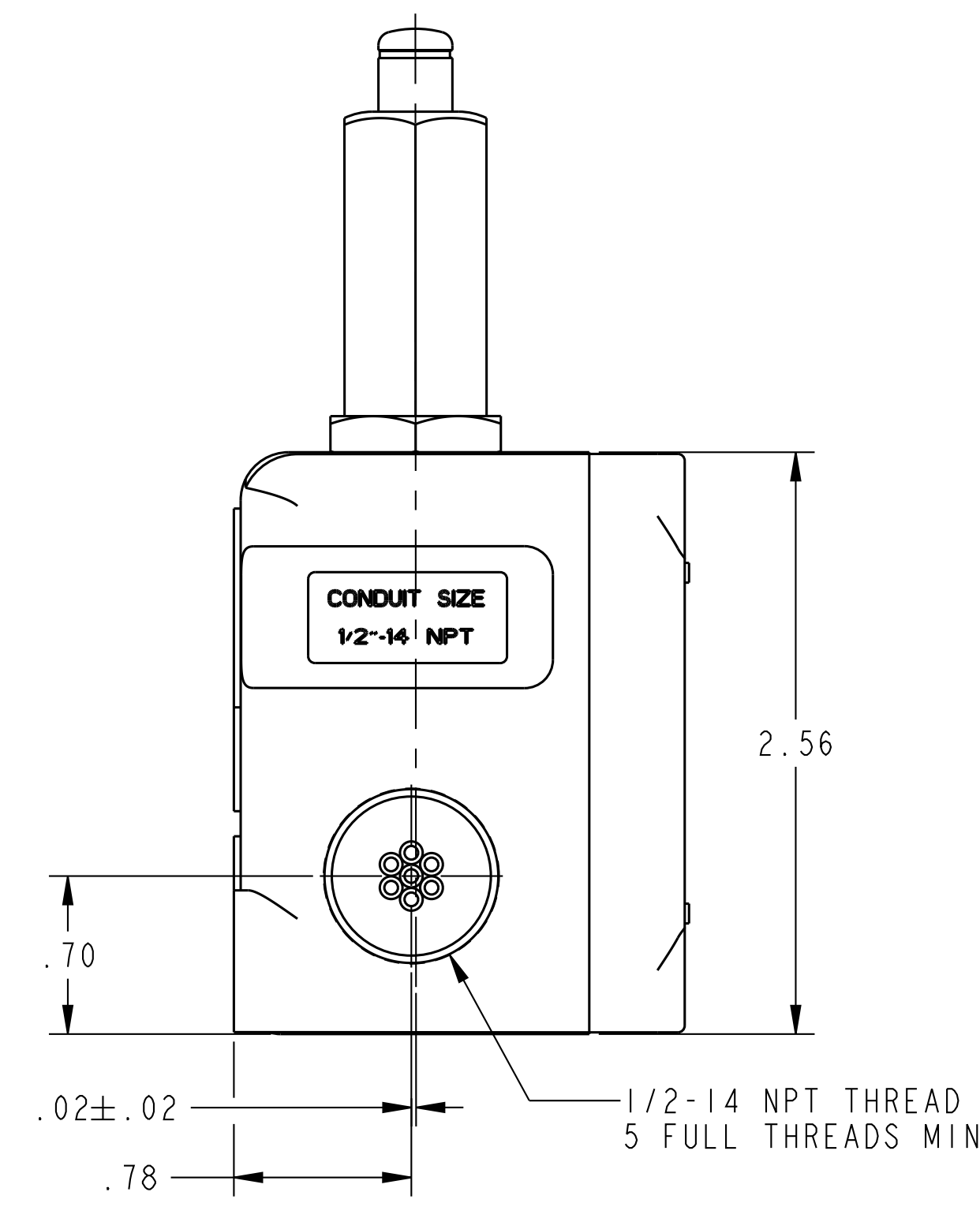
 **MASTER**TM
ELECTRONICS

BUY NOW

masterelectronics.com & onlinecomponents.com
are **authorized** e-commerce distributors
of electronic components.



REVISION HISTORY					
REV	DOCUMENT	DESCRIPTION	CHGD BY	DATE	APPROVED
12	0129443	REDRAWN WITH CHANGE	RGA	2016-05-02	M. MANTUA



- NOTES:
- 8X MOUNTING SCREW HOLE 10-32 UNF THREAD X (.219) DEEP
 - EXPLOSION PROOF - UNDERWRITER'S LAB INC. LISTED RATING FOR HAZARDOUS LOCATIONS NEMA 7, CLASS I, GROUPS B, C AND D, NEMA 9, CLASS II, GROUPS E, F AND G
 - COM LEADS-BLACK, N.C. LEADS-RED, N.O. LEADS-BLUE, GROUND LEAD-GREEN
 - EUROPEAN HAZARDOUS LOCATIONS DESIGNATION: Ex d IIB +H2 T6 CATEGORY II 2G
 - SEAL RATING: NEMA I
 - EXTERNAL GROUND SCREW MAY BE ASSEMBLED TO ANY UNUSED MOUNTING SCREW HOLE
 - ASSEMBLE PROVIDED SPLIT LOCKWASHER BETWEEN GROUND LUG AND HOUSING
 - BRAZILIAN HAZARDOUS LOCATION DESIGNATION: Ex d IIB+H2 T6 Gb -40°C ≤ Tamb ≤ +70°C

CHARACTERISTICS
OPERATING FORCE----- 3 LB MAX
RELEASE FORCE----- 1/2 LB MIN
DIFFERENTIAL TRAVEL----- .060 MAX
OVERTRAVEL----- .141 MIN
SWITCH-BASIC REPLACEMENT-- DT-2R-A7

ELECTRICAL DATA
CONTACT ARRANGEMENT D P D T
-L59- 10 A-125 OR 250 VAC 0.3 A-125 VDC; 0.15 A-250 VDC

UNLESS OTHERWISE SPECIFIED DIMENSIONS ARE IN INCHES	THIRD ANGLE PROJECTION
DECIMAL TOL NO PLACE --- ±.030 1 PLACE --- ±.015 2 PLACE --- ±.010 3 PLACE --- ±.005 CHAMFER ---	
MATERIAL	
FINISH	
APPLICABLE DOCUMENTS: ASME Y14.100-2013 ASME Y14.5-2009	
COMPUTER GENERATED DRAWING: PRO/ENGINEER	

Honeywell

SWITCH - ENCLOSED

SIZE D	CAGE CODE 91929	DWG NO EXD-Q-3	TYPE I	REV 12
SCALE 3:2	REF WT:	SHEET 1 of 1		
RELEASE DATE 1980-06-07	DRW: SLB	1980-06-05		
RDE: -	OA: -	1980-06-07		
CHK: GLH	HONEYWELL CONFIDENTIAL THIS DOCUMENT CONTAINS PROPRIETARY INFORMATION AND SUCH INFORMATION MAY NOT BE DISCLOSED TO OTHERS FOR ANY PURPOSES WITHOUT WRITTEN PERMISSION FROM HONEYWELL			

