

HONEYWELL

See full Datasheet below...

onlinecomponents.com
THE ONLINE DISTRIBUTOR OF ELECTRONIC COMPONENTS

BUY NOW

 **MASTER**TM
E L E C T R O N I C S

BUY NOW

masterelectronics.com & onlinecomponents.com
are **authorized** e-commerce distributors
of electronic components.

MICRO SWITCH

A DIVISION OF MINNEAPOLIS-HONEYWELL REGULATOR COMPANY
FED. MFR. CODE 91929

SWITCH - ENCLOSED

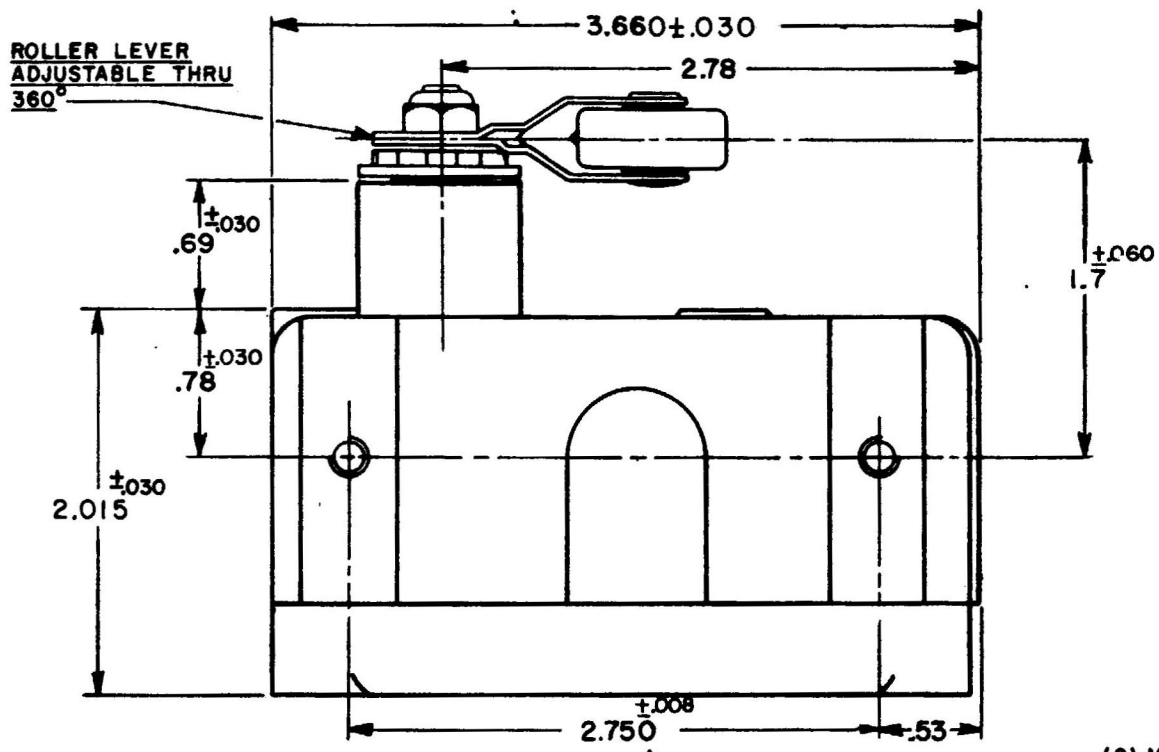
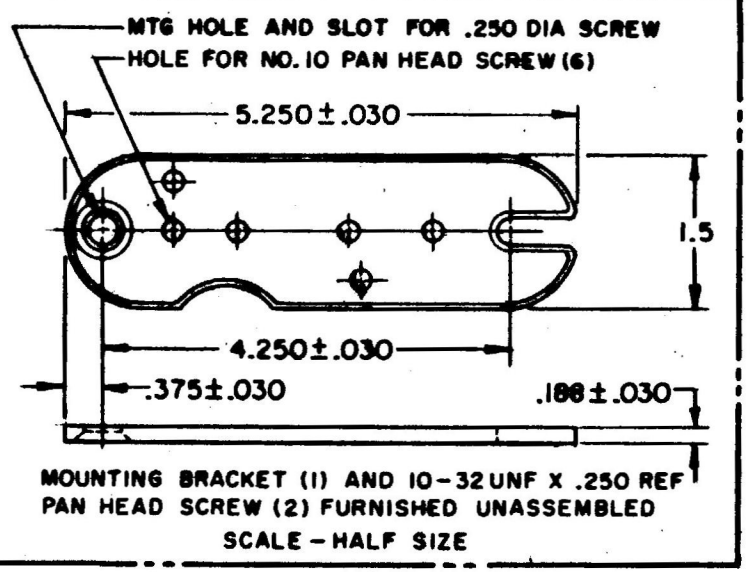
CATALOG LISTING

EXA-AR

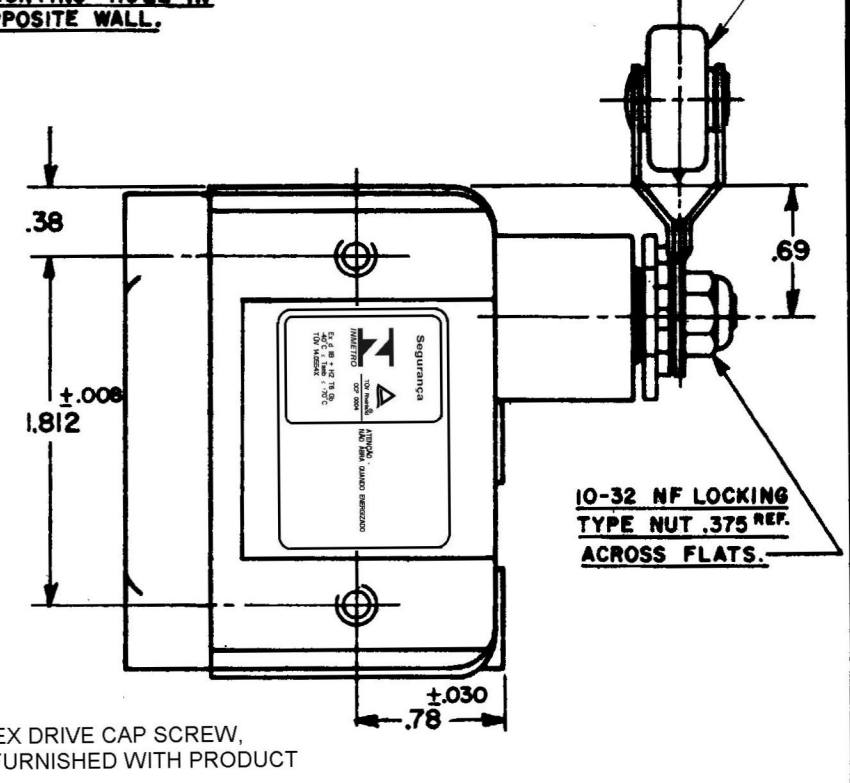
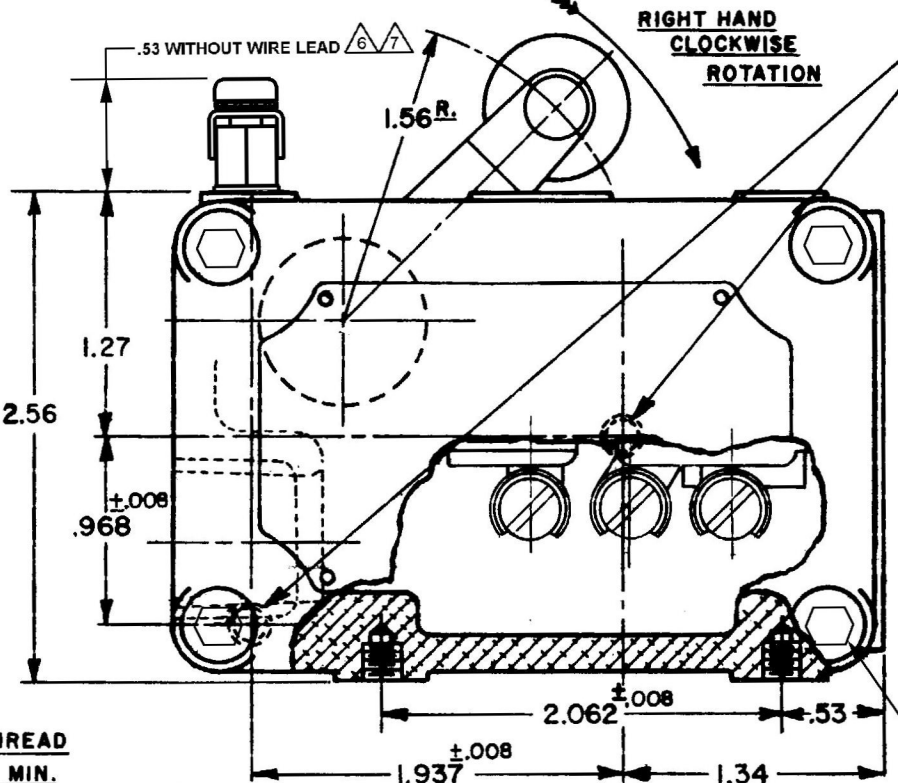
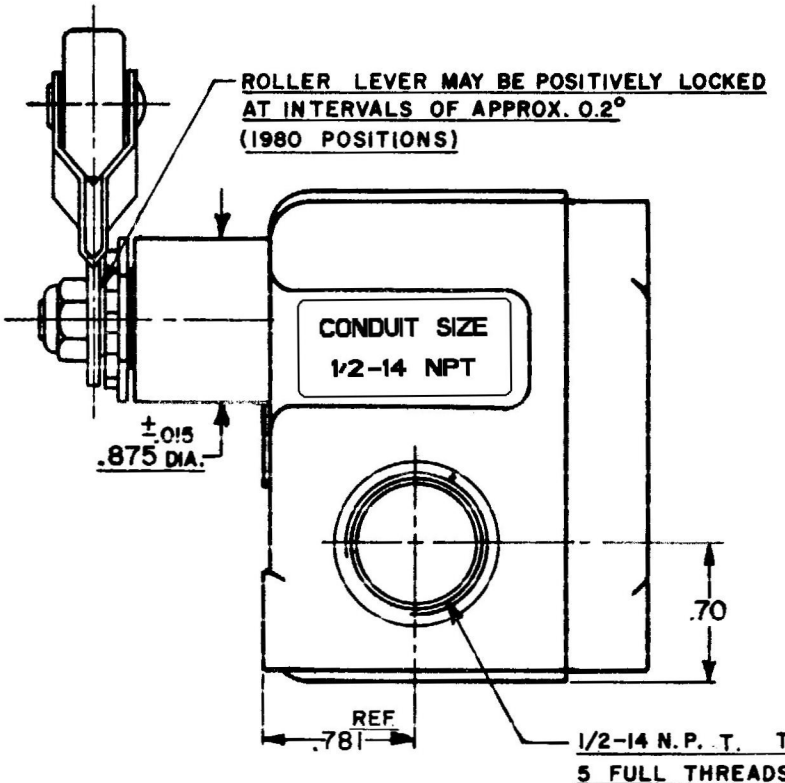
THIS DRAWING COVERS A PROPRIETARY ITEM AND IS THE PROPERTY OF MICRO SWITCH, A DIVISION OF HONEYWELL. THIS DRAWING IS NOT TO BE COPIED OR USED WITHOUT THE APPROVAL OF MICRO SWITCH.

M

(M) EXA-AR ISSUE 2
 REPLACES
EXA-AR
 DRAWING NUMBER
 17
 ISSUE
 12 APR 16
 CMH
 CHECK
 19 AUG 57
 CHECK
 19 AUG 57
 CHECK
 26 DEC 56
 DRAWN
 74-96.3
 R. E. R. 26 DEC 56



.750 REF. DIA. X .312 REF. WIDE ROLLER
MADE OF NON-SPARKING WEAR RESISTANT MATERIAL.



CHARACTERISTICS	
OPERATING FORCE	12-32 OZ.
RELEASE FORCE	8 OZ. MIN.
PRETRAVEL	.219 MAX. (8°)
DIFFERENTIAL TRAVEL	.012 MAX.
DONOT OVERTRAVEL MORE THAN	25°
SWITCH-BASIC REPLACEMENT BA-2R-P4	

ELECTRICAL DATA	
CONTACT ARRANGEMENT S. P. D. T.	
L23	20 A-125, 250 OR 480 VAC 10 A-125 VAC "L" 1 HP-125 VAC, 2 HP-250 VAC 1/2 A-125 VDC, 1/4 A-250 VDC

SCALE FULL	
DO NOT SCALE PRINT	
UNLESS OTHERWISE SPECIFIED DIMENSIONS ARE IN INCHES	
TOLERANCES ARE:	
ONE PLACE (.0)	±.030
TWO PLACE (.00)	±.018
THREE PLACE (.000)	±.008
ANGLES	±
WEIGHT	

- NOTE-**
- 1 - (8) MOUNTING SCREW HOLES, 10-32 NF-2B THREADS X .219 REF DEEP.
 - 2 - 8-32 NC X .219 REF. TERMINAL SCREWS AND CUPWASHERS.
 - 3 - EXPLOSION PROOF - UNDERWRITER'S LAB, INC. LISTING FOR HAZARDOUS LOCATIONS NEMA 7, CLASS I, GROUPS C AND D, NEMA 9, CLASS II, GROUPS E, F AND G
 - 4 - EUROPEAN HAZARDOUS LOCATIONS DESIGNATION: Ex d IIB + H2 T6 CATAGORY II 2 G
 - 5 - SEAL RATING : NEMA 1
 - △ - EXTERNAL GROUND SCREW MAY BE ASSEMBLED TO ANY UNUSED MOUNTING SCREW HOLE
 - △ - ASSEMBLE PROVIDED SPLIT LOCKWASHER BETWEEN GROUND LUG AND HOUSING
 - 8 - BRAZILIAN HAZARDOUS LOCATION DESIGNATION : Ex d IIB+H2 T6 Gb -40 °C ≤ Tamb ≤ +70 °C