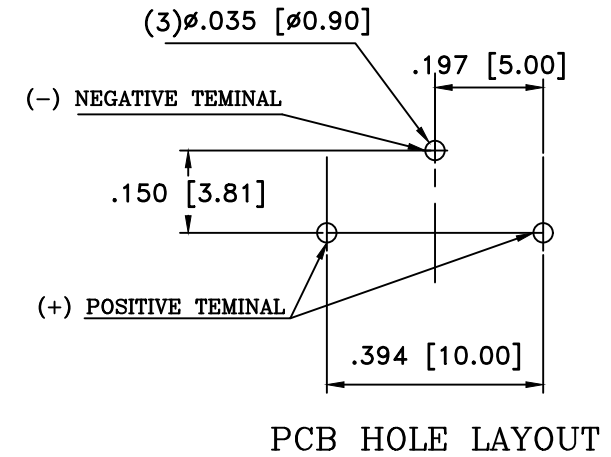
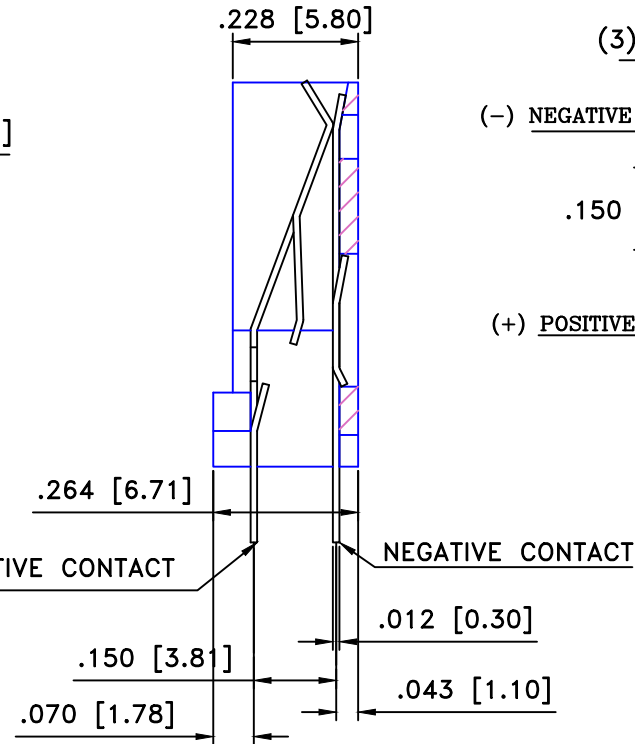
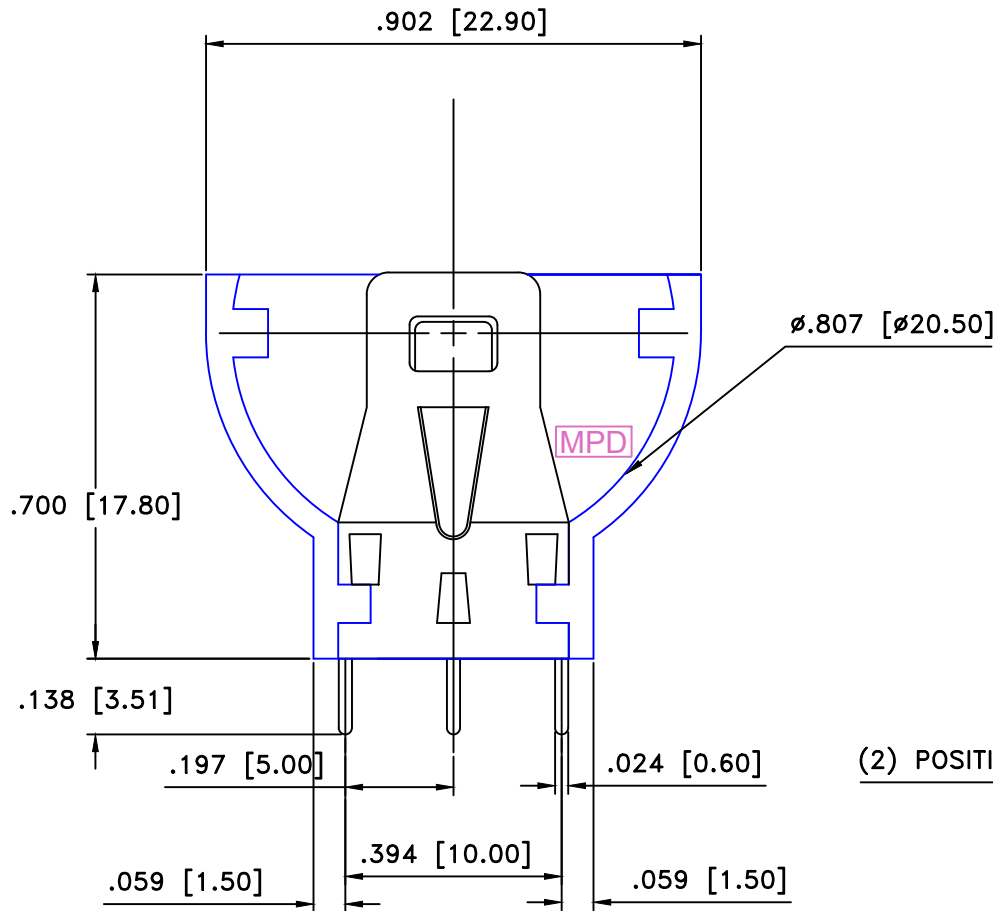


Date	SYM	REVISION RECORD	AUTH	DR.	CK.
10/28/16	H	UPDATED SIDE VIEW ADDED DIM. 0.264	T.B.	B.S.	
12/02/16	I	ADDED DIM.0.043, 0.070, 0.059	T.B.	B.S.	
08/07/19	J	UPDATED SPECIFICATIONS	T.B.	B.S.	
10/18/19	K	ADDED WEIGHT OF THE PART	T.B.	B.S.	




MATERIAL
 BODY: NYLON 66 WITH 30% GLASS FILLED, UL FILE NO. E196894
 FLAMMABILITY RATING: UL94V-0
 CONTACT: PHOSPHOR BRONZE

FINISH
 CONTACT: NICKEL PLATED

SPECIFICATIONS
 APPLICATION FOR 3V LITHIUM BATTERY
 INSULATOR RESISTANCE: 5000 m Ω MIN.
 OPERATION TEMPERATURE: -40°C TO +200°C
 DURABILITY: 50 CYCLES MIN
 CONTACT RESISTANCE: 30 m Ω MAX
 ROHS COMPLIANT

Weight: 1.47g

Tolerance (Except as noted)	 Memory protection Devices, Inc 200 Broad Hollow Road, Farmingdale, New York 11735		
decimal $\pm .5$ (.020)		Scale 4=1	Drawn By T.S. Approved By T.B.
Fractional $\pm .8$ (.030)	Title BR/CR 2032 VERTICAL LITHIUM BATTERY HOLDER		
Angular $\pm 3^\circ$	Date 08/07/19	Drawing Number BS-5	