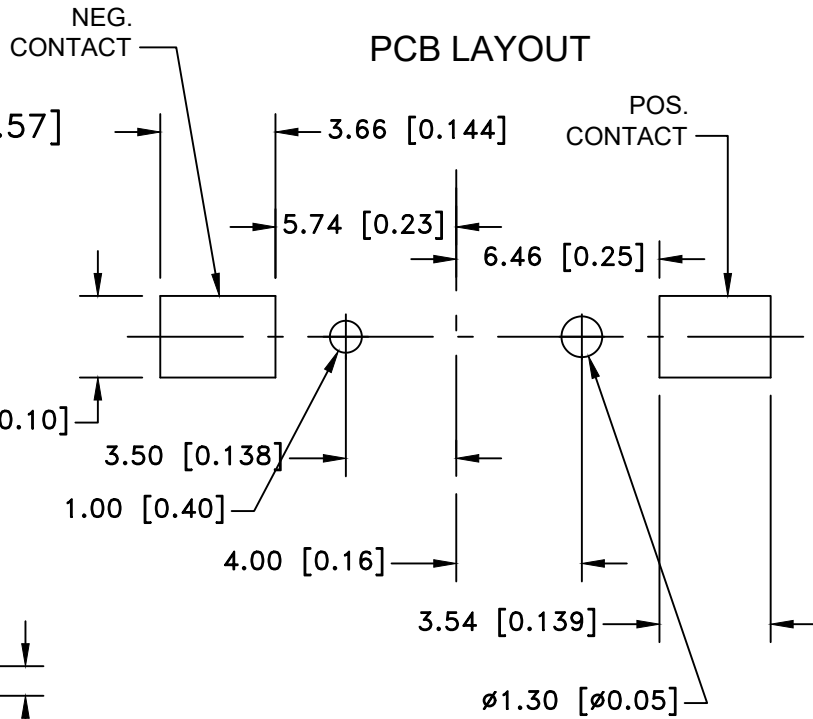
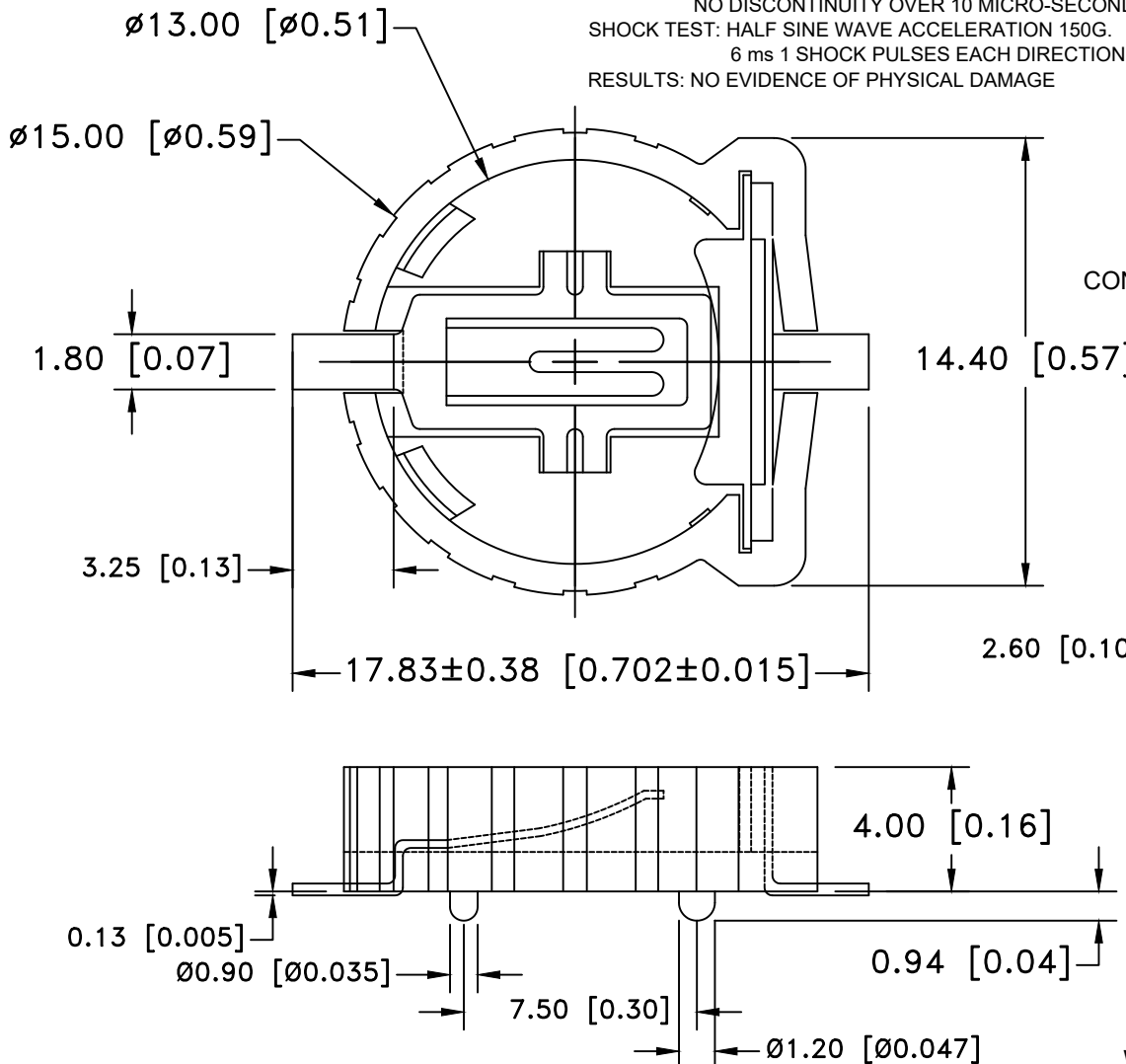


VIBRATION TEST: 10-50-10HZ SWEEPED IN 60 SECONDS  
 X,Y,Z DIRECTION: 1 HOUR EACH DIRECTION  
 RESULTS: NO DISLODGEEMENT OF THE CELL OR DAMAGE  
 NO DISCONTINUITY OVER 10 MICRO-SECONDS  
 SHOCK TEST: HALF SINE WAVE ACCELERATION 150G.  
 6 ms 1 SHOCK PULSES EACH DIRECTION PER AXIS  
 RESULTS: NO EVIDENCE OF PHYSICAL DAMAGE


Date	SYM	REVISION RECORD	AUTH	DR.	CK.
12/02/16	G	REVISED POSITIVE CONTACT DIM. 17.83 WAS 18.54	T.B.	B.S.	
08/14/18	H	ADDED TEST RESULTS	T.B.	B.S.	
03/26/19	J	UPDATED TO "ROHS COMPLIANT"	T.B.	B.S.	



WEIGHT: 0.86grams

NOTES:

- MATERIAL:  
 HOUSING: GLASS FILLED PPS, UL94V-0, BROWN, UL FILE#E109088  
 TERMINAL: 0.20mm [0.008] PHOSPHOR BRONZE, GOLD PLATED OVER NICKEL
- INSULATION RESISTANCE: 1000M $\Omega$  MIN
- CONTACT RESISTANCE: 20M $\Omega$  MAX.
- DIELECTRIC WITHSTANDING: AC 500V
- OPERATING TEMPERATURE: -40°C TO +85°C
- ROHS COMPLIANT

Tolerance (Except as noted)	 <b>Memory Protection Devices, Inc</b> 200 Broad Hollow Road, Farmingdale, New York 11735		
	decimal $\pm .25$ (.010)	Scale	Drawn By B.S. Approved By T.B.
Fractional $\pm .8$ (.030)	Title COIN CELL HOLDER FOR CR1220		
Angular $+ 2^\circ$ $- 1^\circ$	Date 03/26/19	Drawing Number BC501SM	