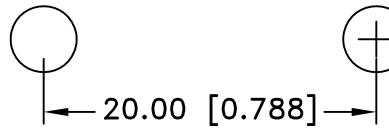


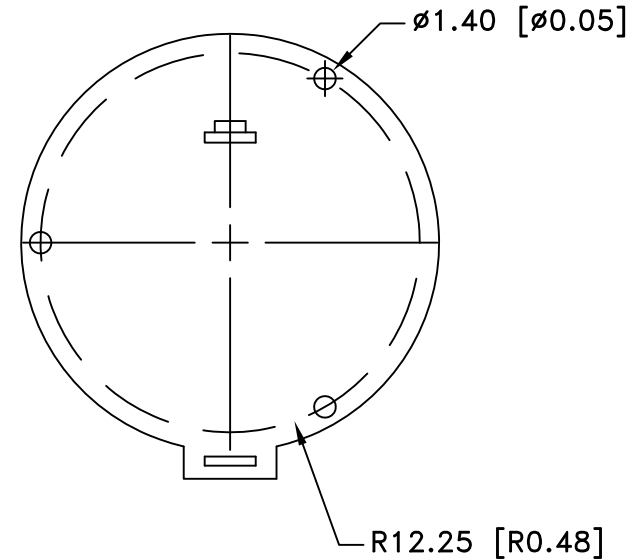
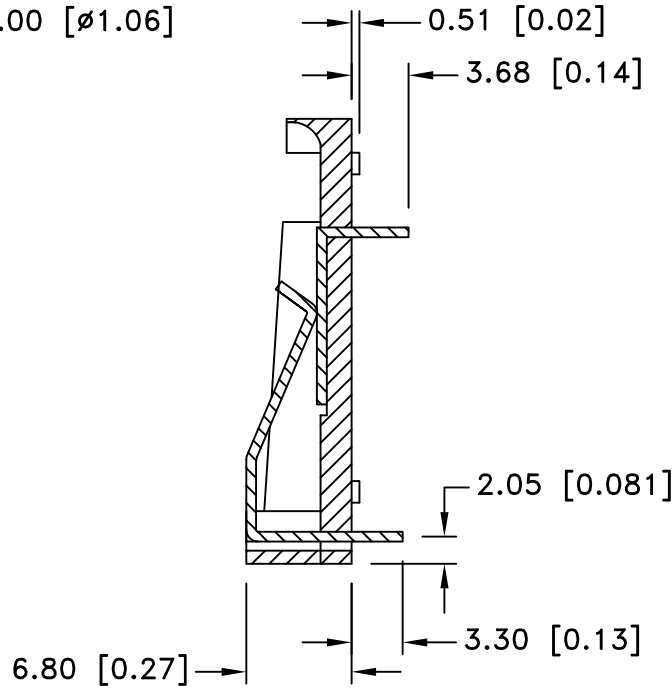
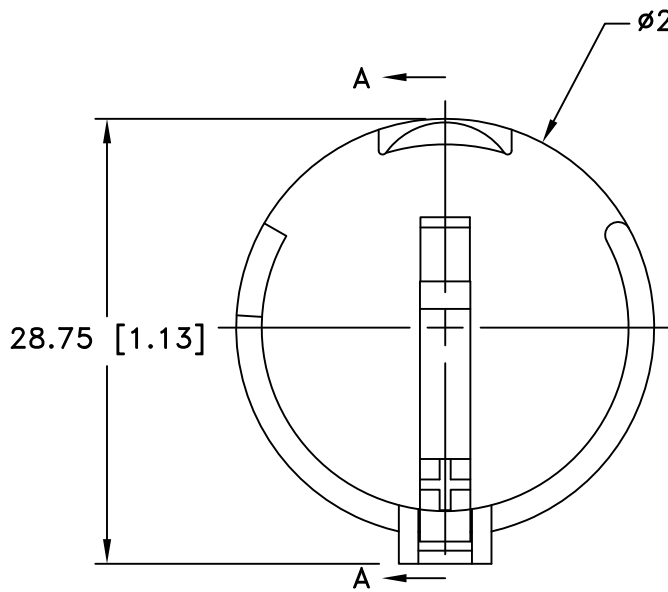
SQUARE CONTACT DETAIL



PCB LAYOUT

#55 [Ø0.052] DRILL
2PLS


Date	SYM	REVISION RECORD	AUTH	DR.	CK.
7/08/06	C	Updated Contact Details	T B	B S	
1/11/08	D	Dim. 3.90 was 3.68 Dim. 0.70 WAS 0.64	T B	B S	
6/13/14	E	Updated to ROHS 2 compliant	T B	B S	
12/04/15	F	Updated Material	T B	B S	



NOTES:

MATERIAL:

HOLDER: LCP, 30% Glass Filled, UL94V-0
 FLAMMABILITY RATING: UL94V-0, UL FILE NO. E344082
 CONTACTS:
 POSITIVE: PHOS-BRONZE, 0.0236" THICK, NICKEL PLATED
 NEGATIVE: SPRING TEMPERED STN. STL., 0.0236" THICK,
 NICKEL PLATED
 TEMPERATURE RANGE: -40°C TO +240°C
 ROHS 2 COMPLIANT
 BATTERIES: CR2320, CR2325, CR2330, CR2335

Tolerance (Except as noted)	 Memory Protection Devices, Inc 200 Broad Hollow Road, Farmingdale, New York 11735		
	decimal ±.5 (.020)	Scale	Drawn By B.S. Approved By T.B.
Fractional ± .8 (.030)	Title 23mm BATTERY HOLDER WITH EASY IN-OUT		
Angular ± 3°	Date 12/04/15	Drawing Number BH908T-C-HITE	