

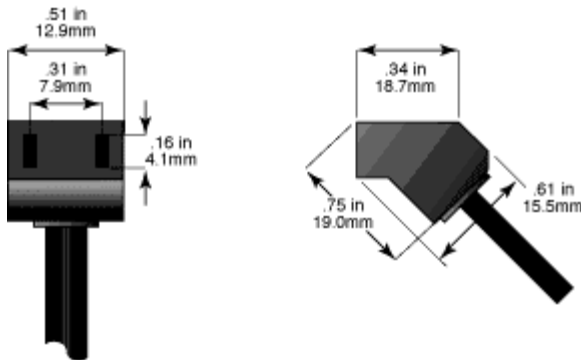
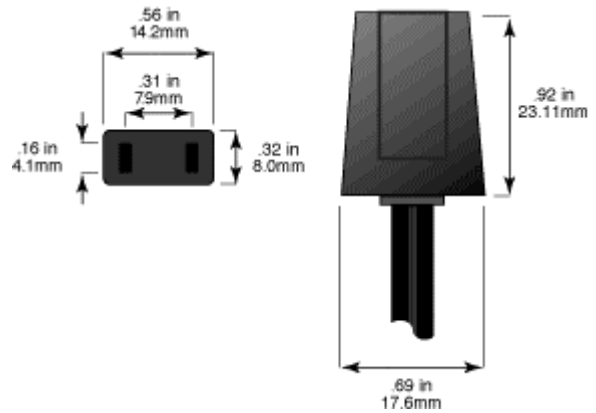


MECHATRONICS INC.

Mechatronics Fan Cord Specifications

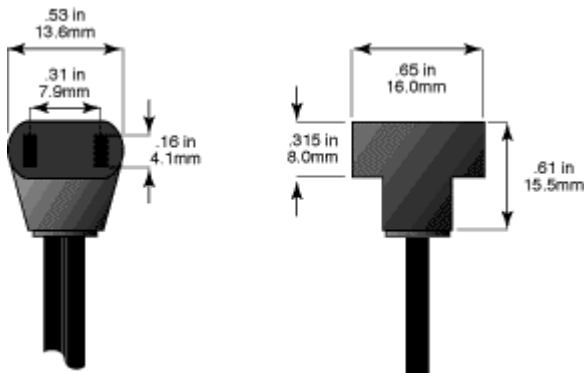
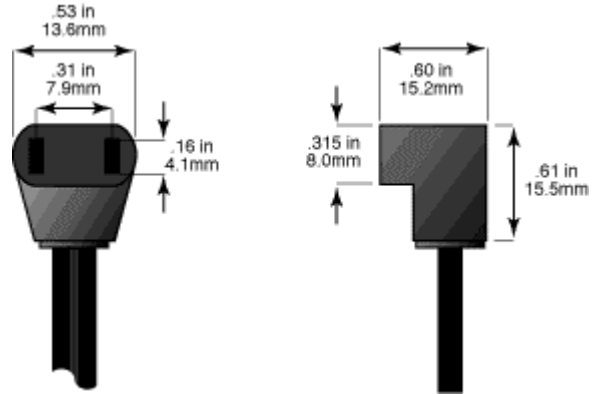
Power cords come in the following four standard plug styles. All power cord come in the following standard lengths, but custom sizes are available. All cords are manufactured using 18 awg cordage rated at 105°C, 300 volts.

Part Number	Cord Length mm / inches
07100-12	305 / 12
07100-24	610 / 24
07100-36	915 / 36
07100-40	1016 / 40
07100-50	1270 / 50
07100-60	1524 / 60
07100-80	2032 / 80



Part Number	Cord Length mm / inches
07145-12	305 / 12
07145-24	610 / 24
07145-36	915 / 36
07145-40	1016 / 40
07145-50	1270 / 50
07145-60	1524 / 60
07145-80	2032 / 80

Part Number	Cord Length mm / inches
07190-12	305 / 12
07190-24	610 / 24
07190-36	915 / 36
07190-40	1016 / 40
07190-50	1270 / 50
07190-60	1524 / 60
07190-80	2032 / 80



Part Number	Cord Length mm / inches
07199-12	305 / 12
07199-24	610 / 24
07199-36	915 / 36
07199-40	1016 / 40
07199-50	1270 / 50
07199-60	1524 / 60
07199-80	2032 / 80