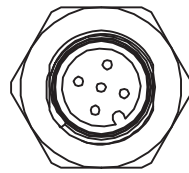
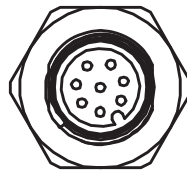


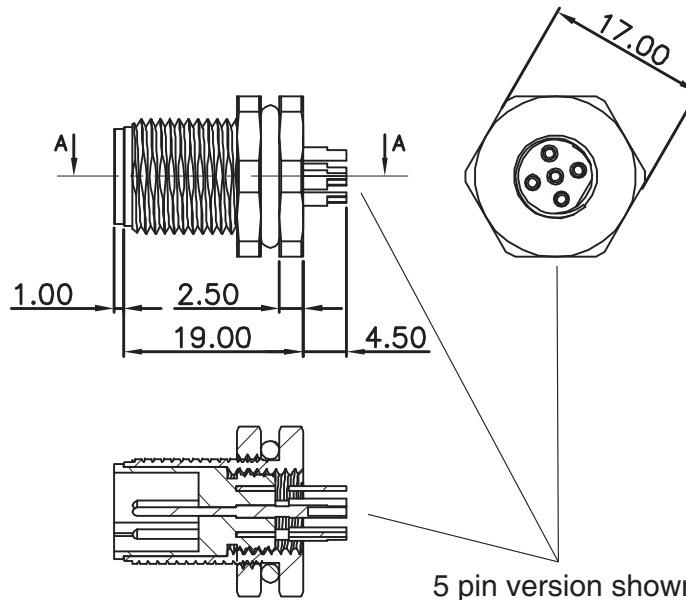
(4 pins)



(5 pins)



(8 pins)



SECTION A-A

5 pin version shown

**SPECIFICATION:**

**Electrical**

Current Rating: 4A Max.  
 Insulation Resistance: 100 MΩ Min. @ 500V DC  
 Operating Temp.: -20°C to +85°C  
 Degree of Protection: IP 67  
 Mating Cycles: 100 Insertions

**Material**

Insulator: Thermal Plastic UL94V-0  
 Contacts: Copper Alloy  
 Shell: Steel

**Contact Plating**

Underplate: 50μ" ~ 150μ" Nickel  
 Contact Area: 1μ" ~ 15μ" Gold  
 Solder Tails Area: 100μ" Tin Min.

Part Number	Number of Pins
25-834-0	4
25-835-0	5
25-838-0	8

TITLE		SCALE
WATERPROOF (IP67) CHASSIS PLUG		NTS
DRAWING NO. 25-83X		
		UNITS mm
FILE NAME	25-83X.pdf	SHEET 1/1



Mode Electronics Part Number 'multi-parts'