

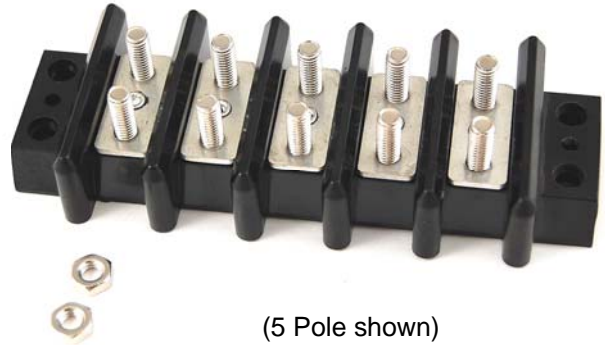
Product Data Sheet



603 GP 2302 XX

Replace "XX" with 01 through 12 for number of poles

Terminal Block– Open Back 65 Amps, 600 Volts (AC/DC)



(5 Pole shown)

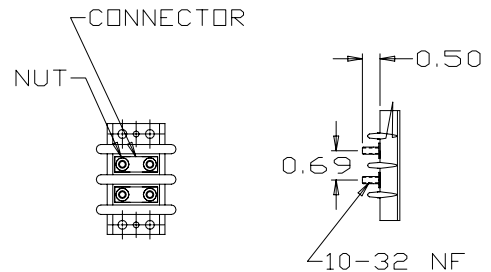
Screws are secured with Epoxy

Copper Wire Only

Wire Range with Listed Ring or Fork Lug: #6 – 16 AWG

11/16" Centers

Application torque: 20 in. lbs



Electrical Ratings:

- 65A with Listed ring or lug, (Based on NEC Table 310-16, 75°C columns)
- 600 Volts AC/DC (UL 1059 Class B, User Group – Commercial Appliances)
- Short Circuit Current Rating: 10,000A (Default)
- Approved for Factory and Field Wiring.

Mechanical Ratings:

- Storage and transportation temperature range: -35°C to 110°C (-31°F to 230°F)*
 - Maximum insulator base temperature: 150°C (302°F)* UL RTI
 - Flammability rating of insulator base: UL 94V-0
- * Use outside these ratings needs to be judged in the end-use application.

Materials:

- Connector : Brass, nickel plated.
- Insulator base: Phenolic
- Screw, #10-32 X .750 Slotted Filister Head Machine: Brass, nickel plated
- Rivet: Brass, tin plated
- Nuts: #10-32 Hex, Brass, nickel plated (supplied loose)
- Epoxy: Hysol HD3404

Agency Approvals:

- UL Recognized, UL 1059 Terminal Block Standard, File No. XCFR2.E47811
- CSA Certified, CSA C22.2 No. 158, File No. LR19766
- CE compliant, IEC 60947-7-1
- RoHS Compliant

Wire Range (with Listed Ring or Fork Lug):

| Wire Size | Torque | Copper Wire Stranding Classes - Number of Strands | | |
|-----------|------------|---------------------------------------------------|---------|---------|
| | | Solid | Class B | Class C |
| 6 | 20 in. lbs | 1 | 7 | 19 |
| 8 | 20 in. lbs | 1 | 7 | 19 |
| 10 | 20 in. lbs | 1 | 7 | 19 |
| 12 | 20 in. lbs | 1 | 7 | 19 |
| 14 | 20 in. lbs | 1 | 7 | 19 |
| 16 | 20 in. lbs | 1 | 7 | 19 |

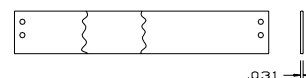
Suggested product mounting hardware: #8 fastener, torque to 15 - 20 in. lbs.

ACCESSORIES:

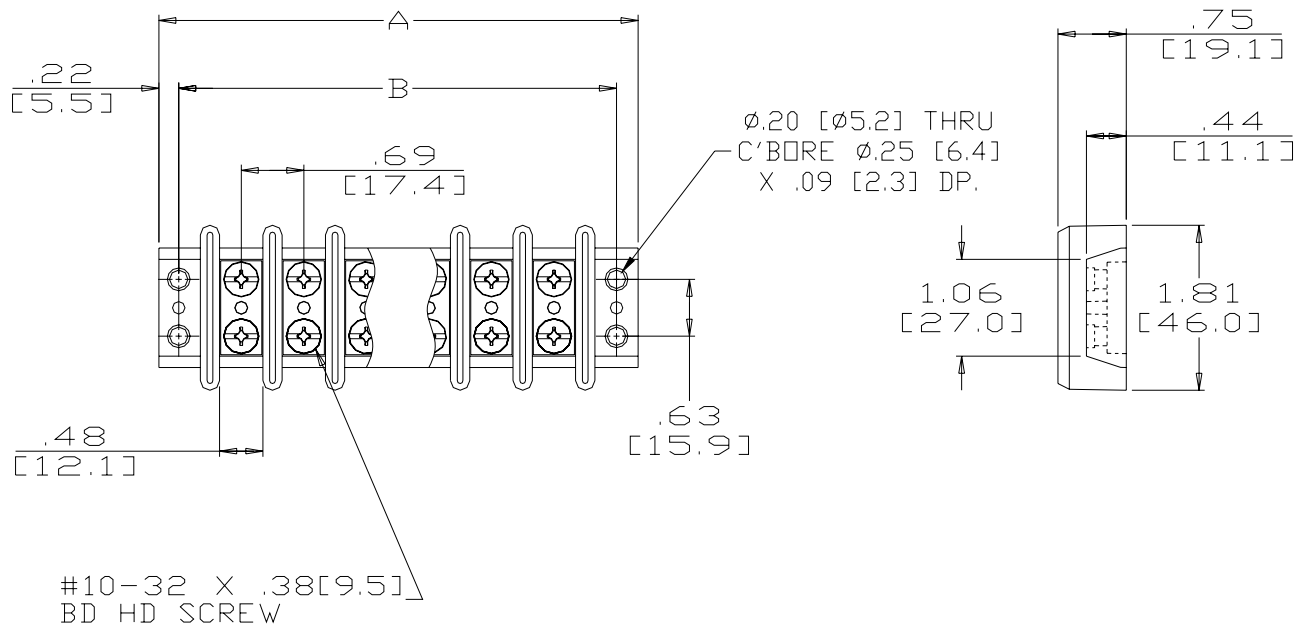
- JJ (GDI-30F) Material available. Glass-fiber filled, diallyl ortho-phthalate. UL-94 V0. Certifiable to Military Specifications MIL-M-14 and MIL-P-19833.

- Printing <http://marathonsp.com/CatalogPDFs/TBPrinting.pdf>

- Marking strips - sub mounted only for this model. Can be made from XP (general purpose laminate), XXXPFR (flame retardant), GME (glass cloth melamine), or GEE (glass cloth epoxy) material. <http://marathonsp.com/CatalogPDFs/MarkingStrips.pdf>



- Phil-Slot Brass Screw (PSB)



Dimensions

| | | A | B |
|-----------|----|------|------|
| 603 GP 01 | 1 | 1.81 | 1.38 |
| 603 GP 02 | 2 | 2.50 | 2.06 |
| 603 GP 03 | 3 | 3.19 | 2.75 |
| 603 GP 04 | 4 | 3.88 | 3.44 |
| 603 GP 05 | 5 | 4.56 | 4.13 |
| 603 GP 06 | 6 | 5.25 | 4.81 |
| 603 GP 07 | 7 | 5.94 | 5.50 |
| 603 GP 08 | 8 | 6.62 | 6.19 |
| 603 GP 09 | 9 | 7.31 | 6.87 |
| 603 GP 10 | 10 | 8.00 | 7.56 |
| 603 GP 11 | 11 | 8.68 | 8.25 |
| 603 GP 12 | 12 | 9.37 | 8.94 |

MM = Dim X 25.4

WWW.MARATHONSP.COM

1-419-352-8441