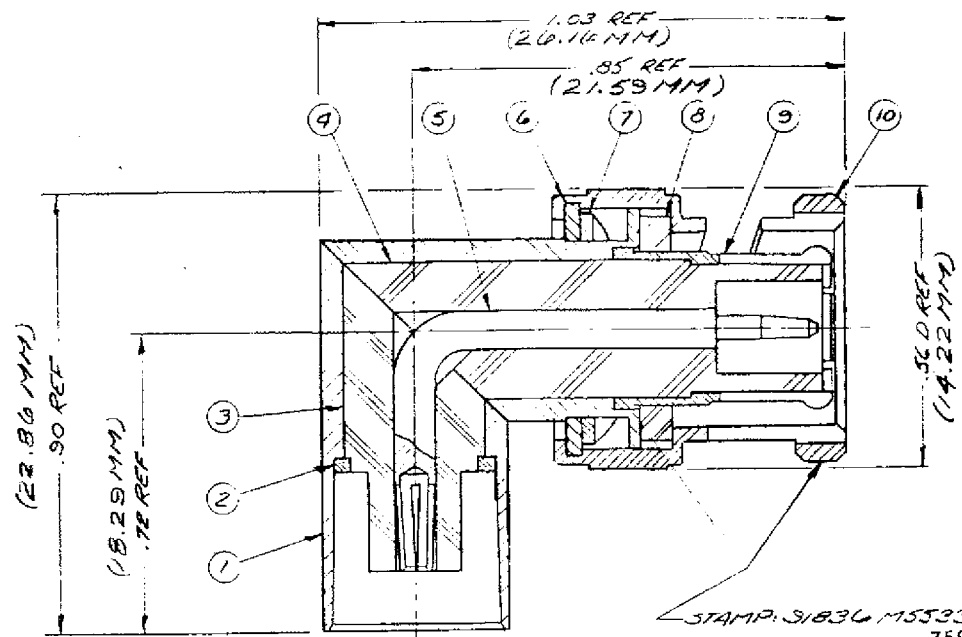
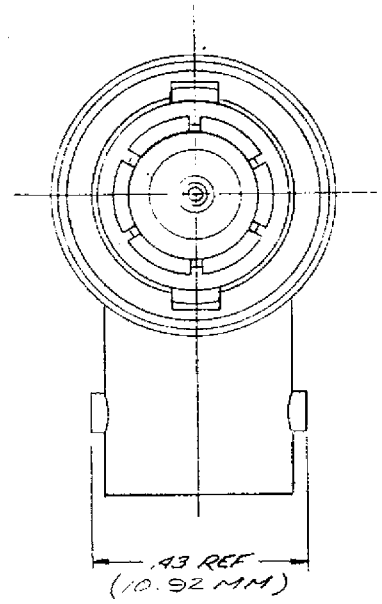


DASH NO.	DESCRIPTION	MADE FROM
----------	-------------	-----------



STAMP: 31836 M5533/14-00306
 759-4 XXXX
 DATE CODE



S-D

M5533/14-00306
(SHEET 1 OF 2)

REVISIONS	
ISSUE	CHANGES
1	RESTRICTED USAGE -JHP 15 SEP 76
2	RESTRICTION REMOVED ER 16272 JHP 22 MAR 77
3	CN 17779C NM 8 NOV 77
4	CN 23170E M.A. 22 MAR 82
5	CN 27184 C AG 14 JUN 85
6	CN 35618 D KH 09 JAN 95

S-D

759-4

USED ON:	
REF:	
FINISH	
SPEC. REF 10004	
MATERIAL:	
SPEC:	
BNC ANGLE ADAPTER M-F	
DRAWN JHP	DATE 1 SEP 76
APPR. J.M.	DATE 22 SEP 76
KINGS ELECTRONICS 40 MARBLEDALE ROAD TUCKAHOE, N. Y. 10707	

S-D

UNLESS OTHERWISE SPECIFIED:

1. TOLERANCES: FRACTIONS & 2 PLACE DECIMALS ± .010
3 PLACE DECIMALS ± .004 ANGLES ± 0° 30'
2. REMOVE ALL BURRS. BREAK SHARP EDGES .005 MAX.
3. NO FILLETS PERMITTED.
4. SURFACE ROUGHNESS 63 MICROINCHES RMS MAX.
5. ALL DIMENSIONS PRIOR TO PLATING.

ITEM	REQ'D	DESCRIPTION	PART NO.
------	-------	-------------	----------

M5533/14-00306

(SHEET 1 OF 2)