

ABBATRON

Premier Supplier of Electronic Hardware

HH Smith

[Custom Capabilities](#) [Test Accessories](#) [Plugs, Jacks, Posts](#) [Connectors](#) [Hardware](#) [Spacers/Standoffs](#)

[Test Leads](#)

[Test Lead Kits](#)

[Oscilloscope Probes](#)

[Jumpers](#)

[Patch Cords](#)

[Test Prods](#)

[Alligator Clips](#)

[Test Lead Attachments](#)

[Dual Instrument Test Adapters](#)

[Insulated Binding Posts](#)

[Insulated Banana Plugs](#)

[Uninsulated Banana Plugs](#)

[Insulated Banana Jacks](#)

[Uninsulated Banana Jacks](#)

[Insulated Tip Plugs](#)

[Metal Tip Plugs](#)

[Test Jacks](#)

[Printed Circuit Test Jacks](#)

[BNC Receptacles](#)

[Standard Phono Plugs](#)

[Phono Jacks](#)

[F-Type Connectors](#)

[Coaxial Antenna Connectors](#)

[Terminal Strip Boards](#)

[Solder Lugs and Terminals](#)

[Screws, Nuts, and Washers](#)

[Grommets, Bumpers and Chassis Feet](#)

[Cable Clamps and Strain Relief](#)

[Hole Plugs](#)

[Instrument Cases](#)

[Handles](#)

[Shaft Accessories](#)

[High Voltage Insulators](#)

[Brass Spacers & Standoffs](#)

[Brass Swivel Standoffs](#)

[Brass Chassis Fasteners](#)

[Aluminum Spacers & Standoffs](#)

[PC Board Supports](#)

[Nylon Spacers & Standoffs](#)

[Phenolic Spacers & Standoffs](#)

[Ceramic Standoffs](#)

- [Home](#)
- [About Abbatron](#)
- [Products](#)
- [Locate](#)
[Distributor](#)
[or](#)
[Representative](#)
- [Contact Us](#)
- [Request](#)
[Information](#)
- [Site Map](#)

Printed Circuit Test Jacks

- Description: Double entry design; probe inserts at either end of jack. Accepts probes no longer than .084", contacts down to .074". Closed bottom construction keeps jack from fouling with solder or flux. Locking ears hold jack firmly to board until soldered. Premise dimensions allow automated assembly to boards.

- Body is molded Nylon per MIL-P-20693
- Beryllium Copper Spring
- Mounts into .052" Holes
- Data:

Insertion force: 30 oz. max.

Withdraw force: 8 oz. min with .080" probe.

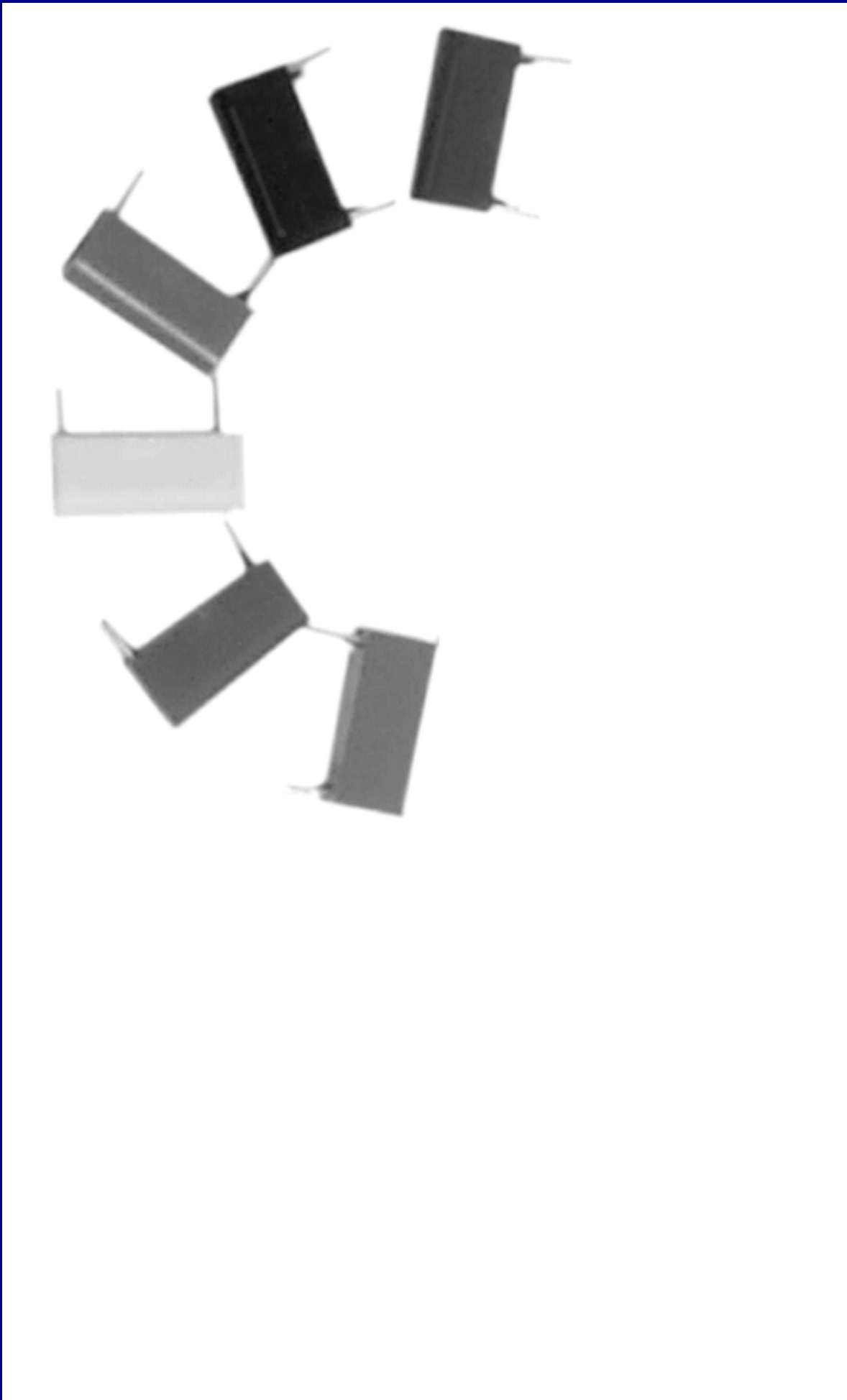
- Ratings: Operating Voltage 1500 Volts., 60 cps RMS, Sea level. 350 Volts, 60 cps RMS at 50,000 feet. 5 AMP AC max. current rating
- Contact resistance: 20 Millivolt drop maximum at specified current at 25° C
- Color: add color number as suffix to part number:
-101 White -102 Red -103 Black -104 Green -105 Blue -107 Yellow

Inventory Search

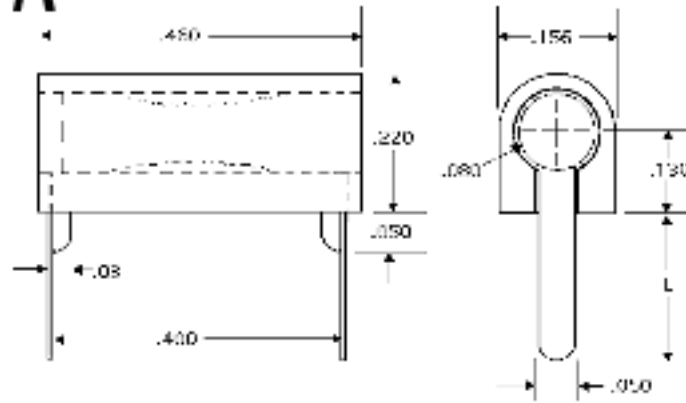
Cross Reference

UPS Tracking

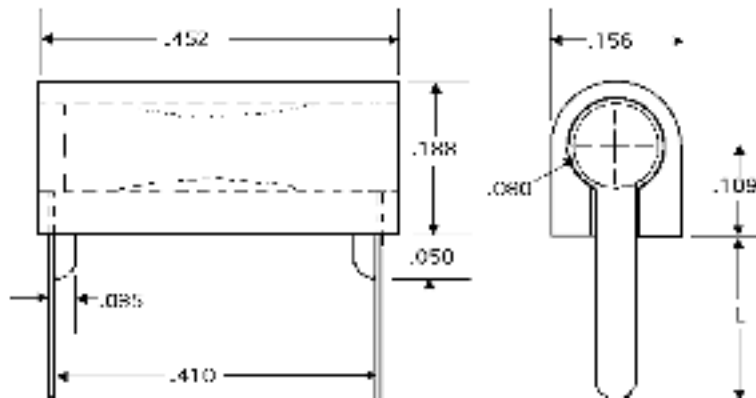
632 Arch Street, POB
726 Meadville, PA 16335
USA 814-724-6440
[Contact Webmaster](#)
© June 6, 2005



A



B



PART NO.	ILLUS.	LENGTH	FINISH	BOARD THKNS
325	A	.130	Gold	1/16
321	B	.219	Gold	1/8
430	C	.203	Gold	3/16

[home](#) | [about abbatron](#) | [products](#) | [locate distributor or representative](#) | [contact us](#) | [request information](#) | [site map](#)