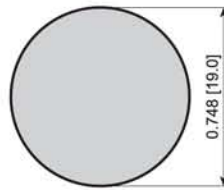


Suggested Panel Cutout



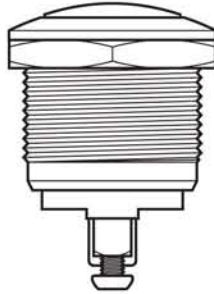
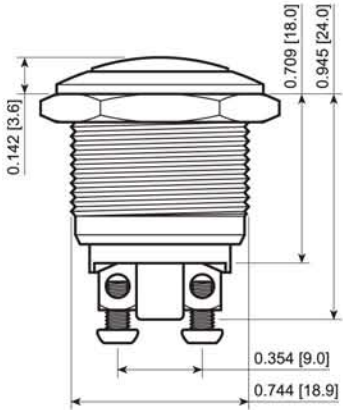
Maximum Panel Thickness: 0.315 [8.0]

FEATURES:

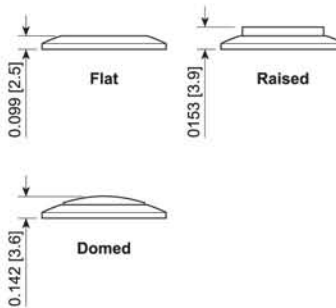
- Vandal and Water Resistant
- Long Life Expectancy
- Custom Laser Engraved Markings

SPECIFICATIONS:

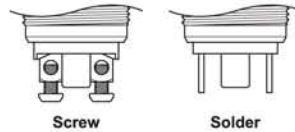
RATING: 2A 48VDC
TEMPERATURE: -20°C to 55°C
ELECTRICAL LIFE: 200,000 Cycles
CONTACT RESISTANCE: 50mΩ Max. at 1A 12VDC
INSULATION RESISTANCE: 1,000MΩ Min.
DIELECTRIC STRENGTH: 2,000VAC for 1 Minute
INTRUSION PROTECTION: IP65



Actuator Options



Terminal Options



MATERIALS:

BUSHING: Gold Plated Brass
 Nickel Plated Brass
 Stainless Steel
ACTUATOR: Gold Plated Brass
 Nickel Plated Brass
 Stainless Steel
BASE: Polybutylene Terephthalate, UL94 V-2
SEALING: Silicone
 Stainless Steel
INNER ASSEMBLY: Polyamide 6/6
 Brass
SPRING: Steel
CONTACT: Silver Plated Brass
TERMINALS: Silver Plated Brass
 Steel
HARDWARE: Nickel Plated Brass

ANTI-VANDAL



PV1H640NN



PV1F640SS



PV1H640SS

PV1S640GG

EXAMPLE PART NUMBERS:

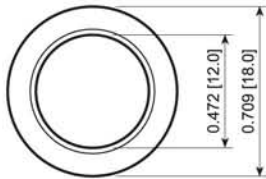
PV1F640GG 1P Off-(On)
Flat Actuator, Gold Plated Finish
 PV1F640NN 1P Off-(On)
Flat Actuator, Nickel Plated Finish
 PV1F640SS 1P Off-(On)
Flat Actuator, Stainless Steel Body
 PV1H640GG 1P Off-(On)
High Actuator, Gold Plated Finish
 PV1H640NN 1P Off-(On)
High Actuator, Nickel Plated Finish
 PV1H640SS 1P Off-(On)
High Actuator, Stainless Steel Body
 PV1S640GG 1P Off-(On)
Domed Actuator, Gold Plated Finish
 PV1S640NN 1P Off-(On)
Domed Actuator, Nickel Plated Finish
 PV1S640SS 1P Off-(On)
Domed Actuator, Stainless Steel Body

SPECIFICATIONS SUBJECT TO CHANGE WITHOUT NOTICE

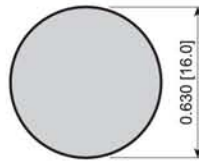
Series	Actuator Options	Terminal	Function	Rating	Body Finish	Actuator Finish	Contact Material	Marking Options
PV1	F - Flat H - High S - Domed	2 - Solder 6 - Screw	1 Pole: 4 - Off-(On)	0 - 2A 48VDC	G - Gold N - Nickel S - Polished Stainless Steel B - Brushed Stainless Steel	G - Gold N - Nickel S - Polished Stainless Steel B - Brushed Stainless Steel	None - Silver G - Gold	None - No Marking M01 - Power Symbol Custom Markings Available

Notes:
 Additional material options available upon request. Please ask your salesperson.





Suggested Panel Cutout



Maximum Panel Thickness: 0.236 [6.0]

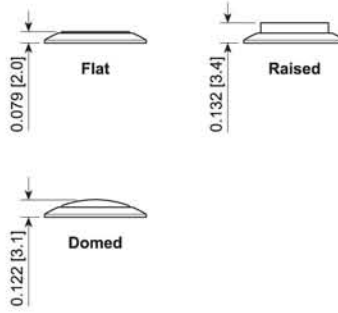
FEATURES:

- Vandal Resistant
- Water Resistant
- Long Life Expectancy

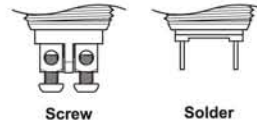
SPECIFICATIONS:

RATING: 2A 48VDC
TEMPERATURE: -20°C to 55°C
ELECTRICAL LIFE: 200,000 Cycles
CONTACT RESISTANCE: 50mΩ Max. at 1A 12VDC
INSULATION RESISTANCE: 1,000MΩ Min.
DIELECTRIC STRENGTH: 2,000VAC for 1 Minute
INGRESS PROTECTION: IP65

Actuator Options

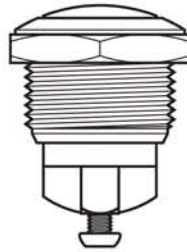
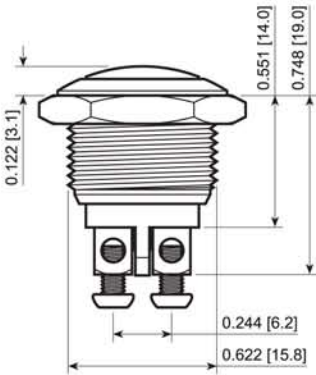


Terminal Options



MATERIALS:

BUSHING: Gold Plated Brass
 Nickel Plated Brass
 Stainless Steel
ACTUATOR: Gold Plated Brass
 Nickel Plated Brass
 Stainless Steel
BASE: Polybutylene Terephthalate, UL94 V-2
SEALING: Silicone
INNER ASSEMBLY: Polyamide 6/6
 Brass
SPRING: Stainless Steel
CONTACT: Silver Plated Brass
TERMINALS: Silver Plated Brass
 Steel
HARDWARE: Nickel Plated Brass



PV2F640SS



PV2H640SS



PV2S640GG



PV2S640NN

EXAMPLE PART NUMBERS:

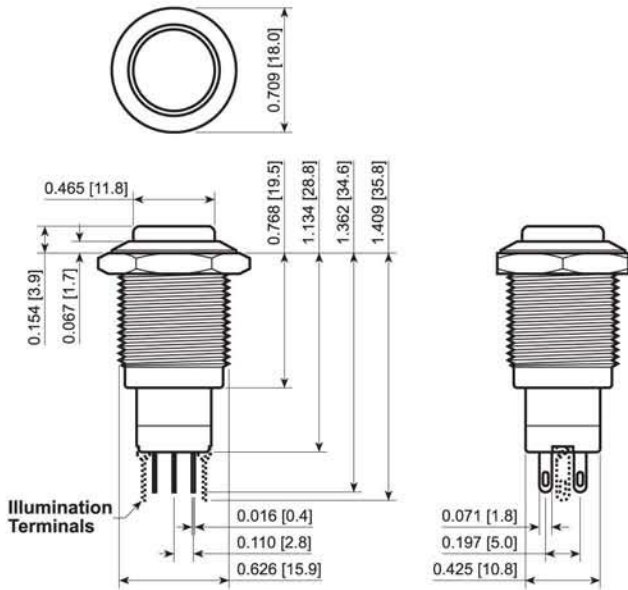
PV2F640GG	1P Off-(On) Flat Actuator, Gold Plated Finish
PV2F640NN	1P Off-(On) Flat Actuator, Nickel Plated Finish
PV2F640SS	1P Off-(On) Flat Actuator, Stainless Steel Body
PV2H640GG	1P Off-(On) High Actuator, Gold Plated Finish
PV2H640NN	1P Off-(On) High Actuator, Nickel Plated Finish
PV2H640SS	1P Off-(On) High Actuator, Stainless Steel Body
PV2S640GG	1P Off-(On) Domed Actuator, Gold Plated Finish
PV2S640NN	1P Off-(On) Domed Actuator, Nickel Plated Finish
PV2S640SS	1P Off-(On) Domed Actuator, Stainless Steel Body

Series	Actuator Options	Terminal	Function	Rating	Body Finish	Actuator Finish	Contact Material	Marking Options
PV2	F - Flat H - High S - Domed	2 - Solder 6 - Screw	1 Pole: 4 - Off-(On)	0 - 2A 48VDC	G - Gold N - Nickel S - Polished Stainless Steel B - Brushed Stainless Steel	G - Gold N - Nickel S - Polished Stainless Steel B - Brushed Stainless Steel	None - Silver G - Gold	None - No Marking M01 - Power Symbol Custom Markings Available

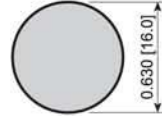
Notes:
Additional material options available upon request. Please ask your salesperson.



Long Body Version

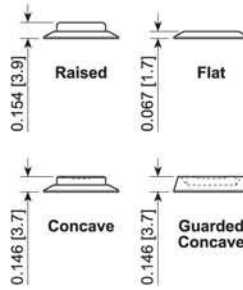


Suggested Panel Cutout

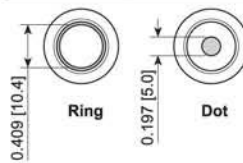


Maximum Panel Thickness:
 Long Body: 0.551 [14.0]
 Short Body: 0.394 [10.0]

Actuator Options



Illumination Options



FEATURES:

- Vandal and Water Resistant
- Many Function, Illumination, and Materials
- Long Life Expectancy

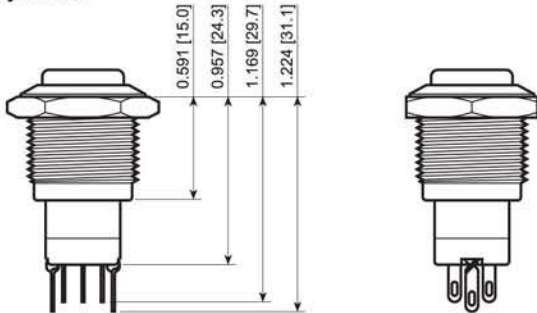
SPECIFICATIONS:

RATING: 2A 48VDC
ILLUMINATION BASE RATING:
 Red, Yellow, and Orange: 20mA 1.8V
 Blue, Green, and White: 20mA 2.8V
TEMPERATURE: -20°C to 55°C
ELECTRICAL LIFE: 50,000 Cycles
CONTACT RESISTANCE: 50mΩ Max. at 1A 12VDC
INSULATION RESISTANCE: 1,000MΩ Min.
DIELECTRIC STRENGTH: 2,000VAC for 1 Minute
INGRESS PROTECTION: IP40 / IP67

MATERIALS:

BUSHING: Gold Plated Brass
 Nickel Plated Brass
 Stainless Steel
 Aluminum
ACTUATOR: Gold Plated Brass
 Nickel Plated Brass
 Stainless Steel
 Aluminum
BASE: Polybutylene Terephthalate, UL94 V-2
 Polycarbonate, UL94 V-2
INNER ASSEMBLY: Polyoxymethylene, UL94 HB
 Polycarbonate, UL94 V-2
 Brass
SPRING: Phosphor Bronze
MOBILE CONTACT: Phosphor Bronze
CONTACT: Nickel-Silver
TERMINALS: Silver Plated Brass
HARDWARE: Nickel Plated Brass

Short Body Version



PV3H2G0NN-344



PV3H2B0NN

EXAMPLE PART NUMBERS:

- PV3F230NN 1P On-On
Flat Actuator, Nickel Plated Finish
- PV3F230SS 1P On-On
Flat Actuator, Stainless Steel Body
- PV3F2B0NN 1P On-(On)
Flat Actuator, Nickel Plated Finish
- PV3F2B0SS 1P On-(On)
Flat Actuator, Stainless Steel Body
- PV3F2G0NN 2P On-On
Flat Actuator, Nickel Plated Finish
- PV3F2G0NN-214 2P On-On
Flat Actuator, Red Dot Illum., Nickel Plated
- PV3F2G0NN-314 2P On-On
Flat Actuator, Red Ring Illum., Nickel Plated
- PV3F2G0SS 2P On-On
Flat Actuator, Stainless Steel Body
- PV3F2H0NN 2P On-(On)
Flat Actuator, Nickel Plated Finish
- PV3F2H0NN-214 2P On-(On)
Flat Actuator, Red Dot Illum., Nickel Plated
- PV3F2H0NN-314 2P On-(On)
Flat Actuator, Red Ring Illum., Nickel Plated
- PV3F2H0SS 2P On-(On)
Flat Actuator, Stainless Steel Body
- PV3H230NN 1P On-On
High Actuator, Nickel Plated Finish
- PV3H2B0NN 1P On-(On)
High Actuator, Nickel Plated Finish
- PV3H2B0SS 1P On-(On)
High Actuator, Stainless Steel Finish
- PV3H2G0NN 2P On-On
High Actuator, Nickel Plated Finish
- PV3H2G0NN-214 2P On-On
High Actuator, Red Dot Illum., Nickel Plated
- PV3H2G0NN-314 2P On-On
High Actuator, Red Ring Illum., Nickel Plated
- PV3H2H0NN 2P On-(On)
High Actuator, Nickel Plated Finish

SPECIFICATIONS SUBJECT TO CHANGE WITHOUT NOTICE

Series	Actuator Options	Terminal	Function	Rating	Body Finish	Actuator Finish	Contact Material	Lens Style	Lens Color	Illumination Voltage
<input type="checkbox"/> Non-Waterproof Versions: PV3 - Long Body PV3S - Short Body (*)	F - Flat C - Concave G - Guarded Concave	2 - Solder	1 Pole: B - On-(On) 2 Pole: H - On-(On)	0 - 2A 48VDC	1 - Black G - Gold N - Nickel B - Brushed Stainless 9 - Red G - Gold N - Nickel B - Brushed Stainless S - Polished Stainless	1 - Black 2 - White 7 - Blue 8 - Green 9 - Red G - Gold N - Nickel B - Brushed Stainless S - Polished Stainless	None - Silver G - Gold	2 - Dot 3 - Ring	0 - White 1 - Red 2 - Orange 3 - Green 4 - Blue 5 - Yellow	1 - Base Voltage 3 - 6V 4 - 12V 5 - 24V 6 - 125V 7 - 250V

Include Illumination Options on Illuminated Switches Only

Notes:
 * = Not available with illumination options.
 Additional material, illumination, and marking options are available. Please ask your sales person.

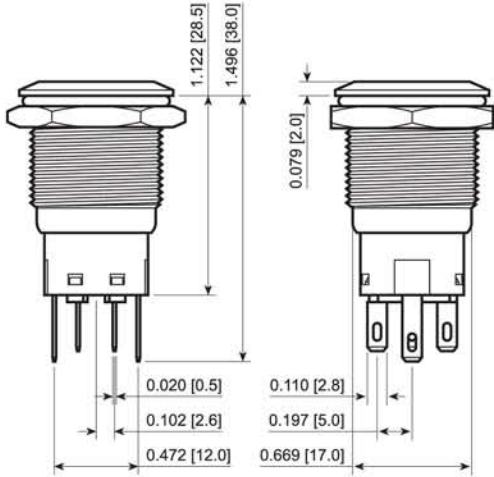
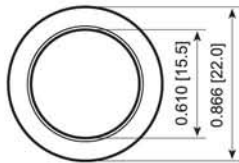


PV4 Series

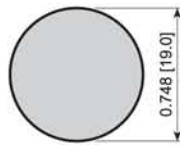


RoHS

Double Throw Style

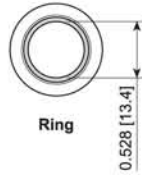
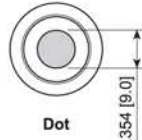


Suggested Panel Cutout



Maximum Panel Thickness: 0.394 [10.0]

Illumination Options



FEATURES:

- Vandal and Water Resistant
- Long Life Expectancy
- Colored Bezel and Actuator Options

SPECIFICATIONS:

RATING: 2A 24VDC; 7A 125VAC (cURus)

ILLUMINATION BASE RATING:

Red, Yellow, and Orange: 20mA 1.8V
Blue, Green, and White: 20mA 2.8V

TEMPERATURE: -20°C to 55°C

ELECTRICAL LIFE: 50,000 Cycles

CONTACT RESISTANCE: 50mΩ Max. at 1A 12VDC

INSULATION RESISTANCE: 1,000MΩ Min. 500VDC

DIELECTRIC STRENGTH: 2,000VAC for 1 Minute

INTRUSION PROTECTION: IP65

MATERIALS:

BUSHING: Stainless Steel
Aluminum

ACTUATOR: Stainless Steel
Aluminum

BASE: Polybutylene Terephthalate, UL94 V-2

SEALING: Silicone

INNER ASSEMBLY: Polyamide 6/6
Brass

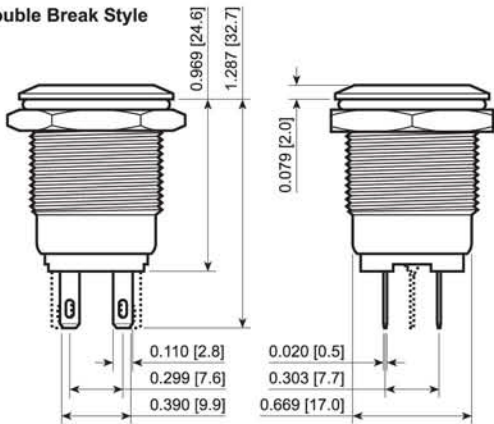
SPRING: Stainless Steel

CONTACT: Silver Plated Brass

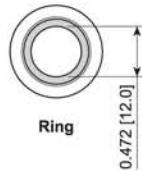
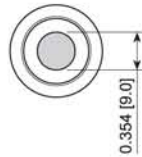
TERMINALS: Silver Plated Brass

HARDWARE: Nickel Plated Brass

Double Break Style



Illumination Options



PV4F2Y01S-343



PV4F2Y0SS-244



PV4F2Y0SS

PV4F2Y0SS-314

Series	Actuator Options	Terminal	Function	Rating	Body Finish	Actuator Finish	Contact Material	Lens Style	Lens Color	Illumination Voltage
PV4	F - Flat	2 - Solder 6 - Screw (*)	1 Pole: 3 - On-On B - On-(On)	0 - 2A 48VDC	1 - Black S - Stainless Steel	1 - Black S - Stainless Steel	None - Silver G - Gold	2 - Dot 3 - Ring	0 - White 1 - Red 2 - Orange 3 - Green 4 - Blue 5 - Yellow	1 - Base Voltage 3 - 6V 4 - 12V 5 - 24V 6 - 125V 7 - 250V

Notes:

* = Available with Y function only

Additional material, illumination and marking options available. Please ask your sales person.

2 Pole:

G - On-On
H - On-(On)

Double Break:

Y - 1P Off-(On) + 1P On-(Off)

For Illuminated Switches Only

EXAMPLE PART NUMBERS:

PV4F2Y0SS-201 2P Off-(On), On-(Off)
Stainless Steel Finish, Clear Dot Illum., 2V

PV4F2Y0SS-211 2P Off-(On), On-(Off)
Stainless Steel Finish, Red Dot Illum., 2V

PV4F2Y0SS-214 2P Off-(On), On-(Off)
Stainless Steel Finish, Red Dot Illum., 12V

PV4F2Y0SS-216 2P Off-(On), On-(Off)
Stainless Steel Finish, Red Dot Illum., 125V

PV4F2Y0SS-241 2P Off-(On), On-(Off)
Stainless Steel Finish, Blue Dot Illum., 2V

PV4F2Y0SS-244 2P Off-(On), On-(Off)
Stainless Steel Finish, Blue Dot Illum., 12V

PV4F2Y0SS-301 2P Off-(On), On-(Off)
Stainless Steel Finish, Clear Ring Illum., 2V

PV4F2Y0SS-311 2P Off-(On), On-(Off)
Stainless Steel Finish, Red Ring Illum., 2V

PV4F2Y0SS-314 2P Off-(On), On-(Off)
Stainless Steel Finish, Red Ring Illum., 12V

PV4F2Y0SS-316 2P Off-(On), On-(Off)
Stainless Steel Finish, Red Ring Illum., 125V

PV4F2Y0SS-341 2P Off-(On), On-(Off)
Stainless Steel Finish, Blue Ring Illum., 2V

PV4F2Y0SS-344 2P Off-(On), On-(Off)
Stainless Steel Finish, Blue Ring Illum., 12V

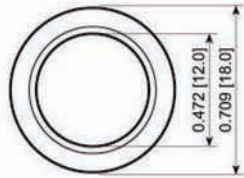


E-SWITCH®

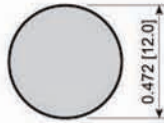
www.e-switch.com

800.867.2717

SPECIFICATIONS SUBJECT TO CHANGE WITHOUT NOTICE

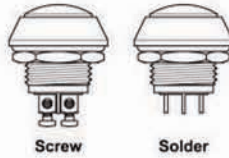


Suggested Panel Cutout



Maximum Panel Thickness: 0.138 [3.5]

Terminal Options



FEATURES:

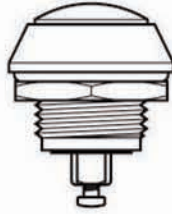
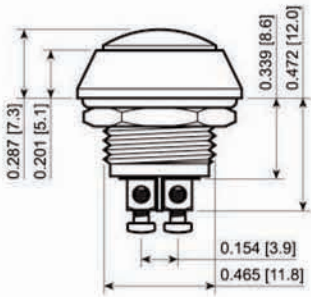
- Vandal Resistant
- Water Resistant
- Long Life Expectancy

SPECIFICATIONS:

RATING: 2A 48VDC
 TEMPERATURE: -20°C to 55°C
 ELECTRICAL LIFE: 200,000 Cycles
 CONTACT RESISTANCE: 50mΩ Max. at 1A 12VDC
 INSULATION RESISTANCE: 1,000MΩ Min. at 500VDC
 DIELECTRIC STRENGTH: 2,000VAC for 1 Minute
 INGRESS PROTECTION: IP65

MATERIALS:

BUSHING: Aluminum
 Nickel Plated Brass
 Stainless Steel
 ACTUATOR: Polybutylene Terephthalate, UL94 V-2
 Nickel Plated Brass
 Stainless Steel
 BASE: Polybutylene Terephthalate, UL94 V-2
 SEALING: Silicone
 INNER ASSEMBLY: Polyamide 6/6
 Brass
 SPRING: Steel
 CONTACT: Silver Plated Brass
 TERMINALS: Silver Plated Brass
 Steel
 HARDWARE: Brass



ANTI-VANDAL



PV5S64012



PV5S640SS



PV5S64017
PV5S64018

SPECIFICATIONS SUBJECT TO CHANGE WITHOUT NOTICE

Series	Actuator Options	Terminal	Function	Rating	Body Color	Actuator Color	Contact Material
PV5	S - Domed	2 - Solder 6 - Screw	4 - Off-(On)	0 - 2A 48VDC	1 - Black N - Nickel S - Stainless Steel	1 - Black 2 - White 6 - Yellow 7 - Blue 8 - Green 9 - Red N - Nickel S - Stainless Steel	None - Silver G - Gold

EXAMPLE PART NUMBERS:

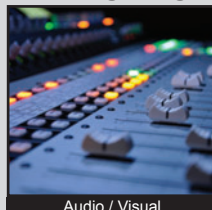
- PV5S64011 1P Off-(On)
Domed Black Actuator, Silver Contacts
- PV5S64012 1P Off-(On)
Domed White Actuator, Silver Contacts
- PV5S64012G 1P Off-(On)
Domed White Actuator, Gold Contacts
- PV5S64016 1P Off-(On)
Domed Yellow Actuator, Silver Contacts
- PV5S64017 1P Off-(On)
Domed Blue Actuator, Silver Contacts
- PV5S64018 1P Off-(On)
Domed Green Actuator, Silver Contacts
- PV5S64019 1P Off-(On)
Domed Red Actuator, Silver Contacts
- PV5S64019G 1P Off-(On)
Domed Red Actuator, Gold Contacts

PV6 SERIES ANTI-VANDAL SWITCH

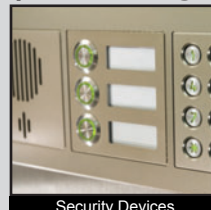
ANTI-VANDAL SWITCHES
DETECTOR SWITCHES
DIP SWITCHES
KEYLOCK SWITCHES
NAVIGATION SWITCHES
PUSHBUTTON SWITCHES
ROCKER SWITCHES
ROTARY SWITCHES
SLIDE SWITCHES
SNAP ACTION SWITCHES
TACTILE SWITCHES
TOGGLE SWITCHES
CAP OPTIONS



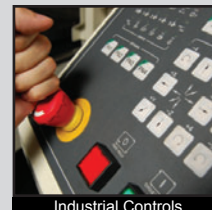
APPLICATIONS / MARKETS



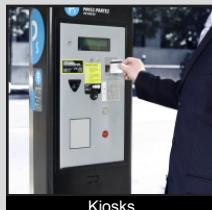
Audio / Visual



Security Devices



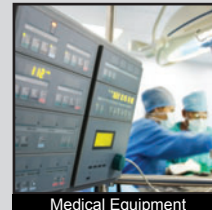
Industrial Controls



Kiosks



Electrical Housewares



Medical Equipment

RoHS

SPECIFICATIONS

Electrical Rating: 2A, 48VDC
Mechanical Life: 1,000,000 Cycles
Electrical Life: 50,000 Cycles
Contact Resistance: 50mΩ Max.
Insulation Resistance: 1000 MΩ Min.
Dielectric Strength: 2,000VAC
Operating/Storage Temperature: -20°C to 55°C
Travel: 1.50mm
Moisture Protection: IP65
Contact Arrangement: SPST Off-(On)
Actuation Force: 400 gf
Panel Thickness: 1-10mm
Mounting Nut Torque: 5-14Nm

FEATURES & BENEFITS

- 16mm diameter panel cutout
- RGB LED option
- Dot or ring illumination options available
- Multiple actuator options
- Pilot indicator option
- IP65 rated, Off-(On), SPST

PART NUMBER CONFIGURATOR

Series	Actuator Options	Terminal Options	Function Options	Rating Options	Body Finish Options	Actuator Finish Options	Contact Material Options	Lens Style Options	LED-Color Options	Illumination Voltage Options
<input type="text" value="PV6"/>	<input type="text" value="F"/> F - Flat <input type="text" value="H"/> H - High	<input type="text" value="2"/> 2 - Solder	<input type="text" value="4"/> 4 - Off - (On)* <input type="text" value="P"/> P - Pilot <input type="text" value="X"/> X - Pilot Indicator**	<input type="text" value="0"/> 0 - 2A, 48VDC <input type="text" value="X"/> X - Pilot Indicator	<input type="text" value="N"/> N - Nickel Plated <input type="text" value="S"/> S - Stainless Steel <input type="text" value="1"/> 1 - Black Anodized	<input type="text" value="N"/> N - Nickel Plated <input type="text" value="S"/> S - Stainless Steel <input type="text" value="1"/> 1 - Black Anodized	<input type="text" value="NONE"/> NONE - Silver <input type="text" value="G"/> G - Gold	<input type="text" value="NONE"/> NONE - Non-Illuminated <input type="text" value="2"/> 2 - Dot Illumination <input type="text" value="3"/> 3 - Ring Illumination	<input type="text" value="NONE"/> NONE - Non-Illuminated <input type="text" value="0"/> 0 - White <input type="text" value="1"/> 1 - Red <input type="text" value="2"/> 2 - Orange <input type="text" value="3"/> 3 - Green <input type="text" value="4"/> 4 - Blue <input type="text" value="5"/> 5 - Yellow <input type="text" value="F"/> F - Red/Orange <input type="text" value="G"/> G - Red/Green <input type="text" value="H"/> H - Red/Blue <input type="text" value="J"/> J - Red/Yellow <input type="text" value="K"/> K - Orange/Green <input type="text" value="L"/> L - Orange/Blue <input type="text" value="M"/> M - Orange/Yellow <input type="text" value="R"/> R - RGB	<input type="text" value="1"/> NONE - Non-Illuminated 1 - Base Voltage†

NOTES:
 *(On) denotes function is momentary
 **Pilot indicator does not have internal switch contacts, only illumination
 †Base voltage for LED colors red, yellow, and orange is 1.8V @ 20mA
 ‡Base voltage for LED colors blue, green and white is 2.8V @ 20mA

Specifications subject to change without notice



E-SWITCH®

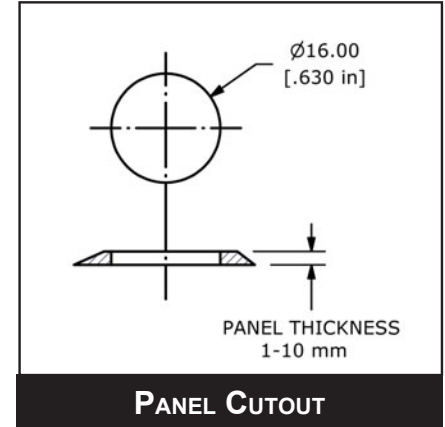
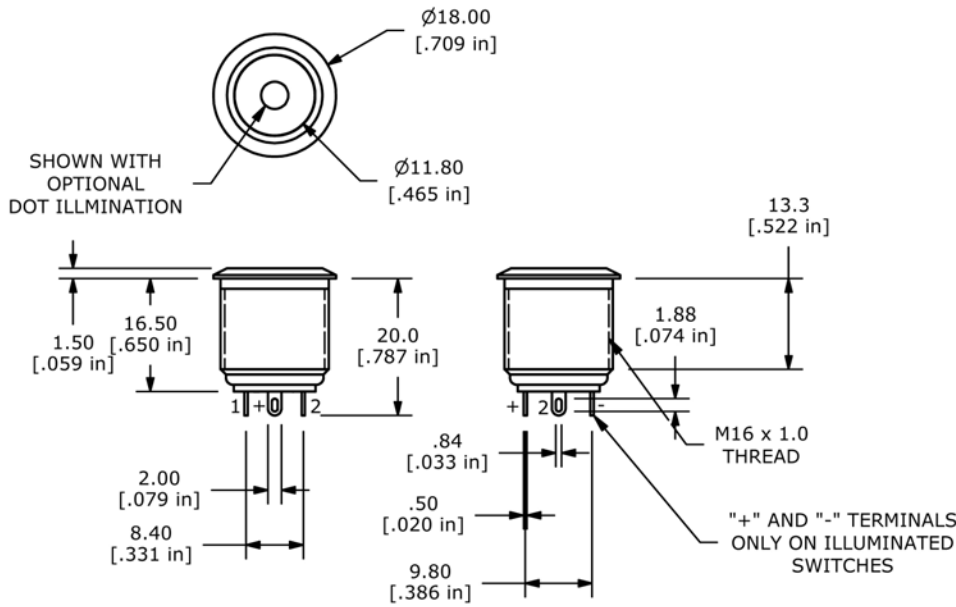
www.e-switch.com

800.867.2717

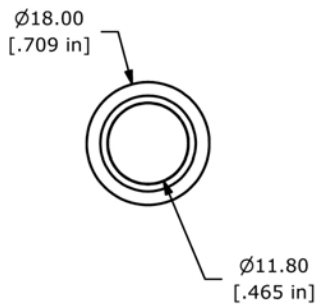
2

PV6 SERIES ANTI-VANDAL SWITCH

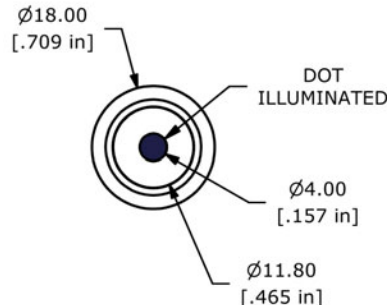
BODY DIMENSIONS



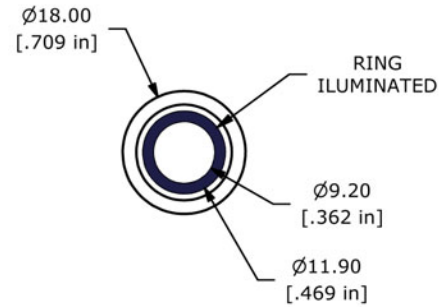
ILLUMINATION OPTIONS



NON-ILLUMINATED

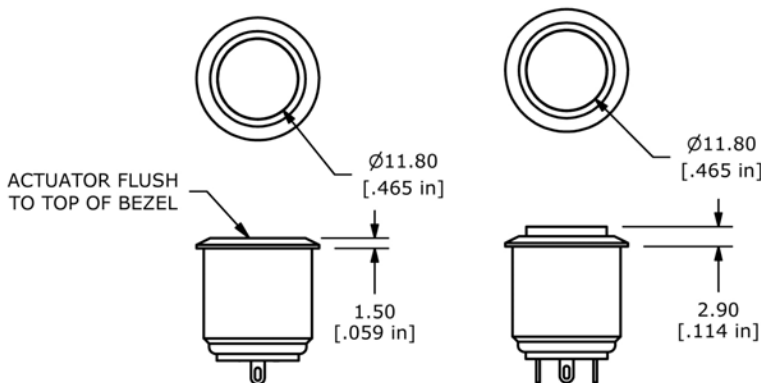


DOT ILLUMINATED



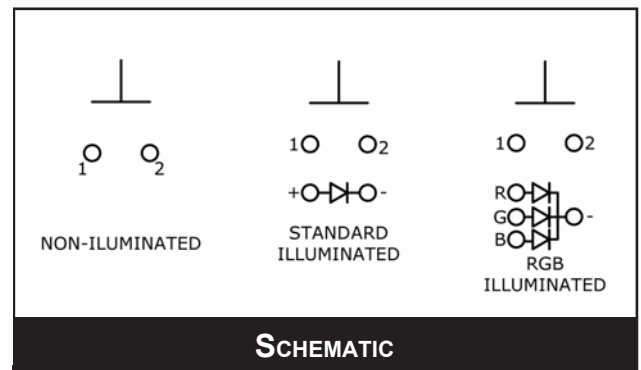
RING ILLUMINATED

ACTUATOR OPTIONS



FLAT ACTUATOR

HIGH ACTUATOR



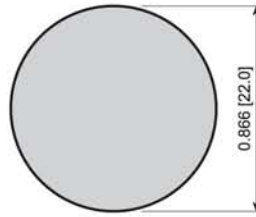
ANTI-VANDAL SWITCHES
DETECTOR SWITCHES
DIP SWITCHES
KEYLOCK SWITCHES
NAVIGATION SWITCHES
PUSHBUTTON SWITCHES
ROCKER SWITCHES
ROTARY SWITCHES
SLIDE SWITCHES
SNAP ACTION SWITCHES
TACTILE SWITCHES
TOGGLE SWITCHES
CAP OPTIONS



PV7 Series



Suggested Panel Cutout



Maximum Panel Thickness:
Momentary Version: 0.315 [8.0mm]
Maintained Version: 0.472 [12.0mm]

FEATURES:

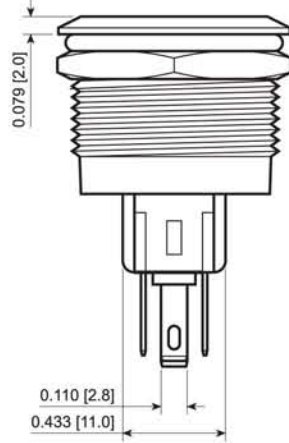
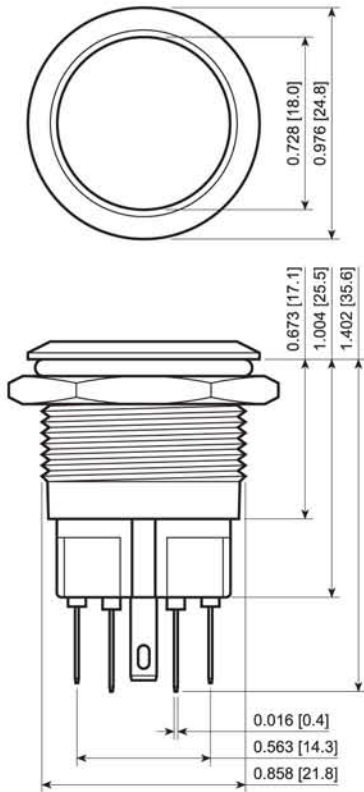
- Vandal and Water Resistant
- Long Life Expectancy

SPECIFICATIONS:

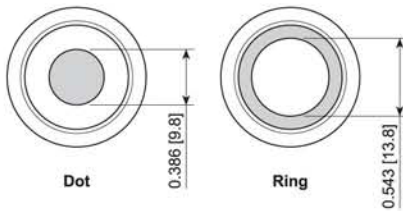
RATING: 2A 48VDC
ILLUMINATION BASE RATING:
 Red, Yellow, and Orange: 20mA 1.8V
 Blue, Green, and White: 20mA 2.8V
TEMPERATURE: -20°C to 55°C
CONTACT RESISTANCE: 50mΩ Max.
INSULATION RESISTANCE: 1,000MΩ Min.
DIELECTRIC STRENGTH: 2,000VAC
MECHANICAL LIFE: 1,000,000 Cycles
ELECTRICAL LIFE: 50,000 Cycles

MATERIALS:

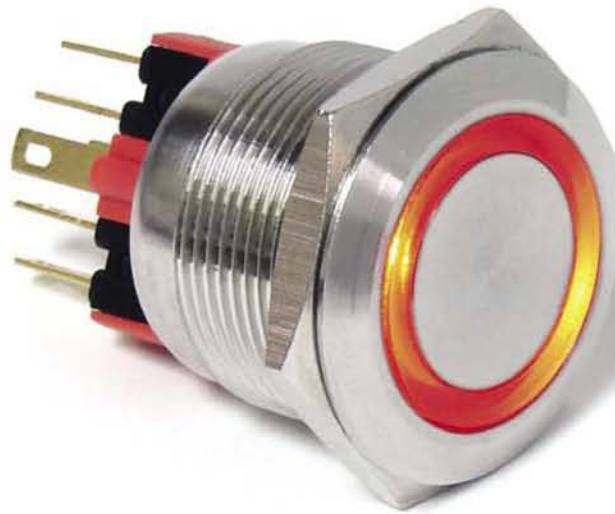
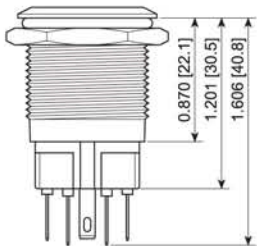
BUTTON: Stainless Steel
 Nickel Plated Brass
Body: Stainless Steel
 Nickel Plated Brass
BASE: PBT
CONTACTS: Gold Plated Over Silver Alloy



Illumination Options



Maintained Version Dimensions



PV7F2Y0SS-311

SPECIFICATIONS SUBJECT TO CHANGE WITHOUT NOTICE

ANTI-VANDAL

Series	Actuator Options	Terminal	Function	Rating	Body Finish	Actuator Finish	Lens Style	Lens Color	Illumination Voltage
PV7	F - Flat	2 - Solder	2 Pole: Y - 1P Off-(On) / 1P On-(Off) T - 1P Off-On / 1P On-Off	0 - 2A 48VDC	N - Nickel S - Stainless Steel	N - Nickel S - Stainless Steel	2 - Dot 3 - Ring	0 - White 1 - Red 2 - Orange 3 - Green 4 - Blue 5 - Yellow	1 - Base Voltage 3 - 6V 4 - 12V 5 - 24V 6 - 125V 7 - 250V

Notes:
 Additional material, illumination and marking options are available. Please ask your sales person.

For Illuminated Switches Only

EXAMPLE PART NUMBERS:

- PV7F2T0SS-344 1P Off-On/1P On-Off
Flat Actuator, Blue Ring Illumination, 12V
- PV7F2Y0SS 1P Off-(On)/1P On-(Off)
Flat Actuator
- PV7F2Y0SS-241 1P Off-(On)/1P On-(Off)
Flat Actuator, Blue Dot Illumination, 2.8V
- PV7F2Y0SS-313 1P Off-(On)/1P On-(Off)
Flat Actuator, Red Ring Illumination, 6V
- PV7F2Y0SS-351 1P Off-(On)/1P On-(Off)
Flat Actuator, Yellow Ring Illumination, 1.8V

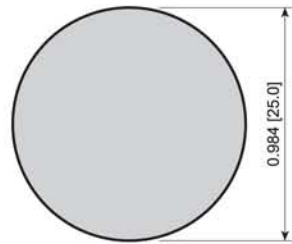
PV8 Series



RoHS

NEW

Suggested Panel Cutout



Maximum Panel Thickness
Momentary Version: 0.394 [10.0mm]
Maintained Version: 0.472 [12.0mm]

FEATURES:

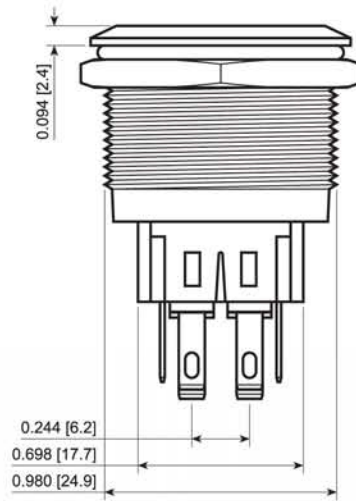
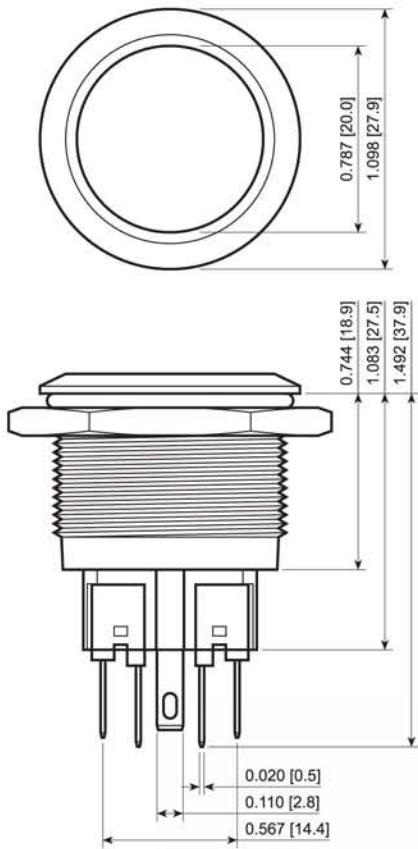
- Vandal and Vandal Resistant
- Long Life Expectancy
- Many Function and Illumination Options

SPECIFICATIONS:

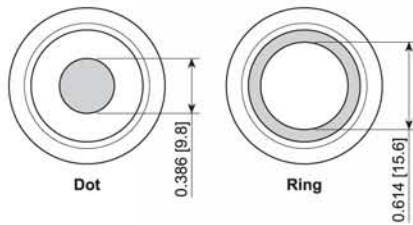
RATING: 2A 36VDC
ILLUMINATION BASE RATING:
Red, Yellow, and Orange: 20mA 1.8V
Blue, Green, and White: 20mA 2.8V
TEMPERATURE: -20°C to 55°C
CONTACT RESISTANCE: 50mΩ Max.
INSULATION RESISTANCE: 1,000MΩ Min.
DIELECTRIC STRENGTH: 2,000VAC
MECHANICAL LIFE: 1,000,000 Cycles
ELECTRICAL LIFE: 50,000 Cycles

MATERIALS:

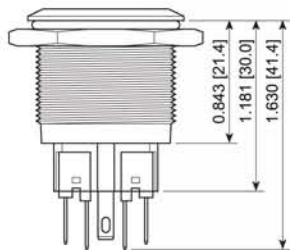
BUTTON: Stainless Steel
Nickel Plated Brass
BODY: Stainless Steel
Nickel Plated Brass
BASE: PBT
CONTACTS: Gold Plated Over Silver Alloy



Illumination Options



Maintained Version Dimensions



PV8F2V0SS-311

Series	Actuator Options	Terminal Function	Rating	Body Finish	Actuator Finish	Lens Style	Lens Color	Illumination Voltage
PV8	F - Flat	2 - Solder	0 - 2A 48VDC	N - Nickel S - Stainless Steel	N - Nickel S - Stainless Steel	2 - Dot 3 - Ring	0 - White 1 - Red 2 - Orange 3 - Green 4 - Blue 5 - Yellow	1 - Base Voltage 3 - 6V 4 - 12V 5 - 24V 6 - 125V 7 - 250V

Notes:
Additional material, illumination, and marking options are available. Please ask your sales person.

4 Pole:
V - 2P Off-(On) / 2P On-(Off)
U - 2P Off-On / 2P On-Off

For Illuminated Switches Only

EXAMPLE PART NUMBERS:

- PV8F2U0SS-344 2P Off-On/2P On-Off Flat Actuator, Blue Ring Illumination, 12V
- PV8F2V0SS-211 2P Off-(On)/2P On-(Off) Flat Actuator, Red Dot Illumination, 1.8V
- PV8F2V0SS-321 2P Off-(On)/2P On-(Off) Flat Actuator, Orange Ring Illumination, 1.8V
- PV8F2V0SS-235 1P Off-(On)/1P On-(Off) Flat Actuator, Green Dot Illumination, 24V
- PV8F2V0SS-313 1P Off-(On)/1P On-(Off) Flat Actuator, Red Ring Illumination, 6V



E-SWITCH®

www.e-switch.com

800.867.2717

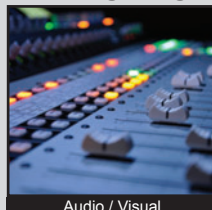
SPECIFICATIONS SUBJECT TO CHANGE WITHOUT NOTICE

PV9 SERIES ANTI-VANDAL SWITCH

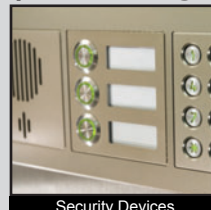
ANTI-VANDAL SWITCHES
DETECTOR SWITCHES
DIP SWITCHES
KEYLOCK SWITCHES
NAVIGATION SWITCHES
PUSHBUTTON SWITCHES
ROCKER SWITCHES
ROTARY SWITCHES
SLIDE SWITCHES
SNAP ACTION SWITCHES
TACTILE SWITCHES
TOGGLE SWITCHES
CAP OPTIONS



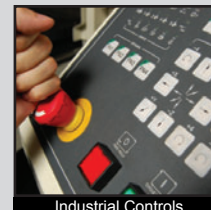
APPLICATIONS / MARKETS



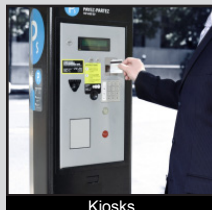
Audio / Visual



Security Devices



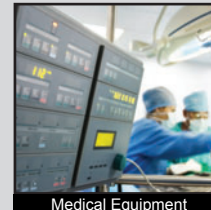
Industrial Controls



Kiosks



Electrical Housewares



Medical Equipment

RoHS

SPECIFICATIONS

Electrical Rating: 2A, 48VDC
Mechanical Life: 1,000,000 Cycles
Electrical Life: 50,000 Cycles
Contact Resistance: 50mΩ Max.
Insulation Resistance: 1000 MΩ Min. @ 500VDC
Dielectric Strength: 2,000VAC
Operating/Storage Temperature: -20°C to 55°C
Travel: 2.8mm
Moisture Protection: IP65
Contact Arrangement: SPDT or DPDT
Actuation Force: 660 gf
Panel Thickness: 1-10mm
Hex Nut Torque: 5-14Nm

FEATURES & BENEFITS

- 28mm diameter panel cutout
- Dot or ring illumination options available
- Multiple switch functions available
- Multiple illumination voltage options
- IP65 rated
- SPDT or DPDT

PART NUMBER CONFIGURATOR

Series	Actuator Options	Terminal Options	Function Options	Rating Options	Body Finish Options	Actuator Finish Options	Lens Style Options	LED Color Options	Illumination Voltage Options
<input type="text" value="PV9"/>	<input type="text" value="F - Flat"/>	<input type="text" value="2 - Solder"/>	<input type="text" value="Y - 1P OFF-(ON), 1P ON-(OFF)*
T - 1P OFF-ON, 1P ON-OFF
V - 2P OFF-(ON), 2P ON-(OFF)*
U - 2P OFF-ON, 2P ON-OFF"/>	<input type="text" value="0 - 2A, 48VDC"/>	<input type="text" value="N - Nickel Plated
S - Stainless Steel"/>	<input type="text" value="N - Nickel Plated
S - Stainless Steel"/>	<input type="text" value="NONE - Non-Illuminated
2 - Dot Illumination
3 - Ring Illumination"/>	<input type="text" value="NONE - Non-Illuminated
0 - White
1 - Red
2 - Orange
3 - Green
4 - Blue
5 - Yellow
F - Red/Orange
G - Red/Green
H - Red/Blue
J - Red/Yellow
K - Orange/Green
L - Orange/Blue
M - Orange/Yellow"/>	<input type="text" value="NONE - Non-Illuminated
1 - Base Voltage<sup>‡</sup>
3 - 6V
4 - 12V
5 - 24V
6 - 125V
7 - 250V"/>
<p>NOTES: * () denotes function is momentary [‡] Base voltage for LED colors red, yellow, and orange is 1.8V @ 20mA [‡] Base voltage for LED colors blue, green and white is 2.8V @ 20mA</p>									

Specifications subject to change without notice



E-SWITCH®

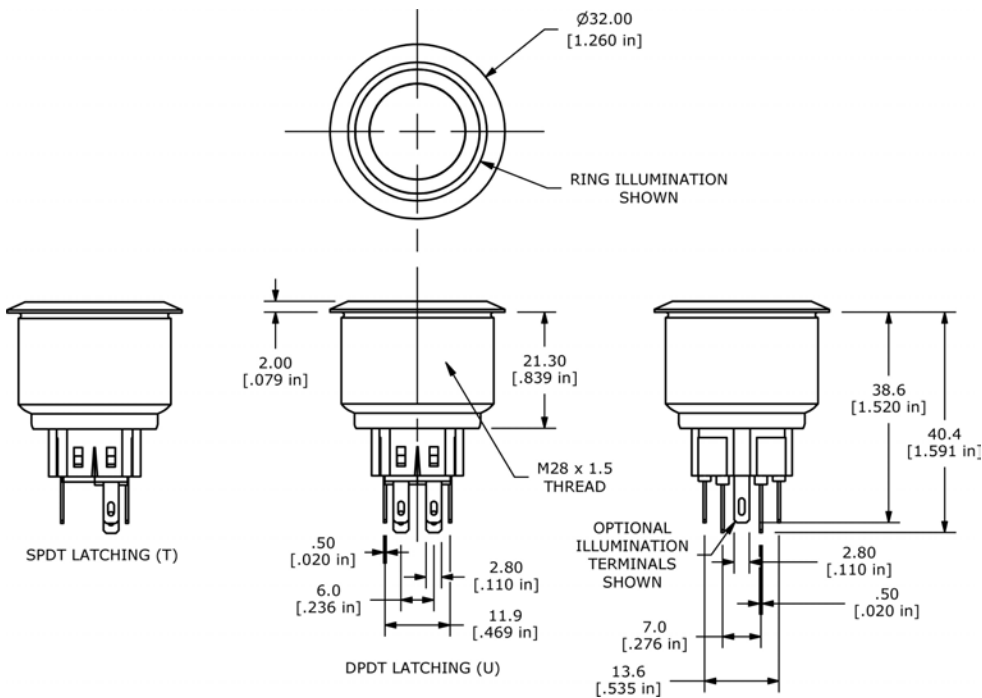
www.e-switch.com

800.867.2717

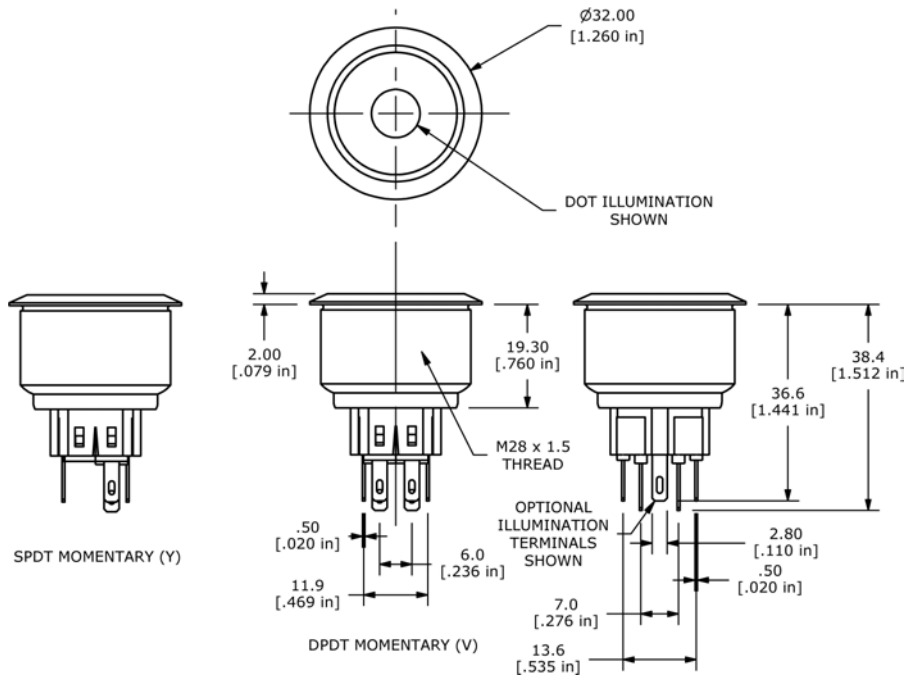
2

PV9 SERIES ANTI-VANDAL SWITCH

BODY DIMENSIONS



LATCHING SWITCH DIMENSIONS



MOMENTARY SWITCH DIMENSIONS

ANTI-VANDAL SWITCHES

DETECTOR SWITCHES

DIP SWITCHES

KEYLOCK SWITCHES

NAVIGATION SWITCHES

PUSHBUTTON SWITCHES

ROCKER SWITCHES

ROTARY SWITCHES

SLIDE SWITCHES

SNAP ACTION SWITCHES

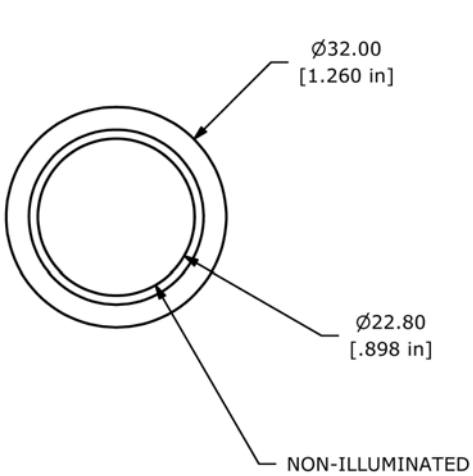
TACTILE SWITCHES

TOGGLE SWITCHES

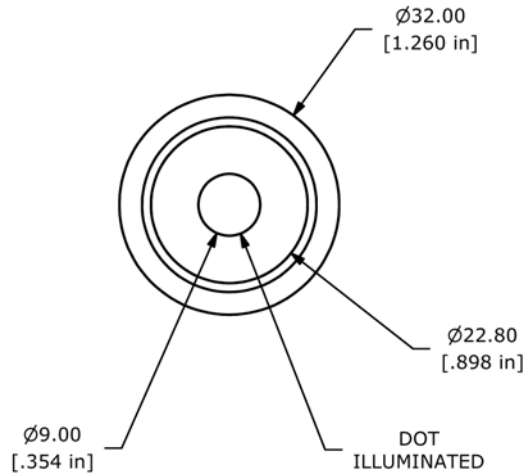
CAP OPTIONS



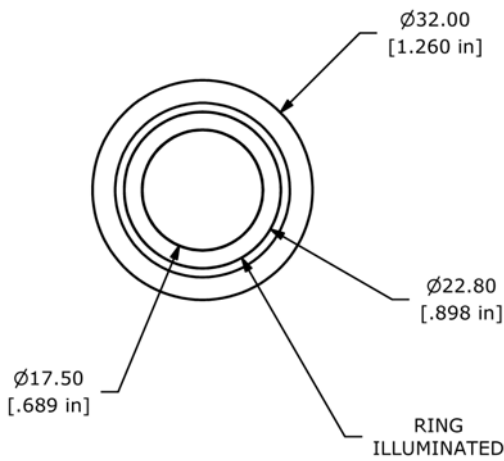
ACTUATOR OPTIONS



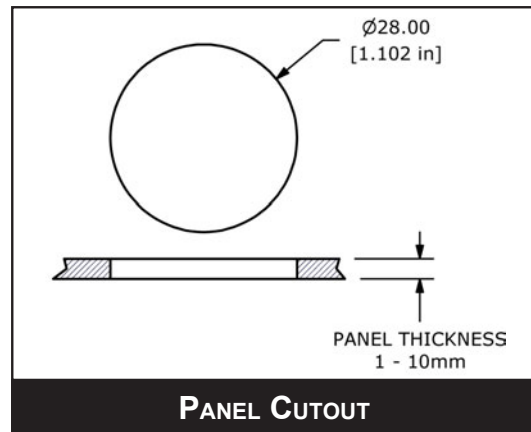
NON-ILLUMINATED



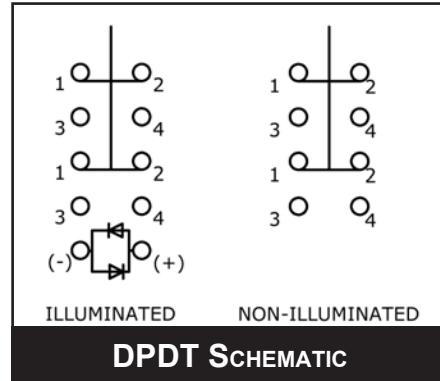
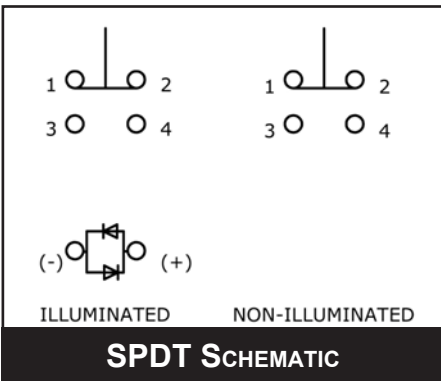
DOT ILLUMINATED



RING ILLUMINATED



SCHEMATICS

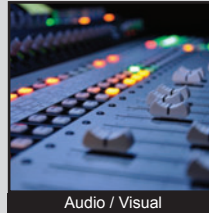


PVL SERIES PILOT INDICATOR

- ANTI-VANDAL SWITCHES
- DETECTOR SWITCHES
- DIP SWITCHES
- KEYLOCK SWITCHES
- NAVIGATION SWITCHES
- PUSHBUTTON SWITCHES
- ROCKER SWITCHES
- ROTARY SWITCHES
- SLIDE SWITCHES
- SNAP ACTION SWITCHES
- TACTILE SWITCHES
- TOGGLE SWITCHES
- CAP OPTIONS



APPLICATIONS / MARKETS



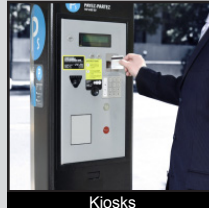
Audio / Visual



Security Devices



Industrial Controls



Kiosks



Electrical Housewares



Medical Equipment

RoHS

SPECIFICATIONS

Contact Arrangement: Lamp indicator
Operating/Storage Temperature: -25°C to 55°C
Lamp Life: 40,000 Hours Nominal
Ingress Protection: IP67
Panel Thickness: 1-6mm or 1-10mm, (depending on mounting diameter)
Mounting Nut Torque: 5-14Nm

FEATURES & BENEFITS

- Pilot indicator light
- Multiple panel cutout sizes -- 6mm to 19mm dia.
- Multiple illumination voltage options
- Multiple LED color options
- IP67 rated

PART NUMBER CONFIGURATOR

Series	Indicator Diameter	Lens	Terminal	Body Finish	Lens Color	Illumination Voltage
<input type="checkbox"/> <input type="checkbox"/> <input type="checkbox"/> PVL	<input type="checkbox"/> <input type="checkbox"/> 06 - 6mm Dia. 08 - 8mm Dia. 10 - 10mm Dia. 12 - 12mm Dia. 14 - 14mm Dia. 16 - 16mm Dia. 19 - 19mm Dia.	<input type="checkbox"/> F - Flat	<input type="checkbox"/> L - Solder Lug	<input type="checkbox"/> S - Stainless Steel 1 - Black	<input type="checkbox"/> 1 - Red 3 - Green 4 - Blue	<input type="checkbox"/> 1 - Base Voltage* 3 - 6V 4 - 12V 5 - 24V 6 - 110V

NOTES:

* Base voltage on LEDs:
 1.8V @ 20mA for Red, Yellow and Orange LED colors
 2.8V @ 20mA for Blue, Green and White LED colors

Specifications subject to change without notice



E-SWITCH®

www.e-switch.com

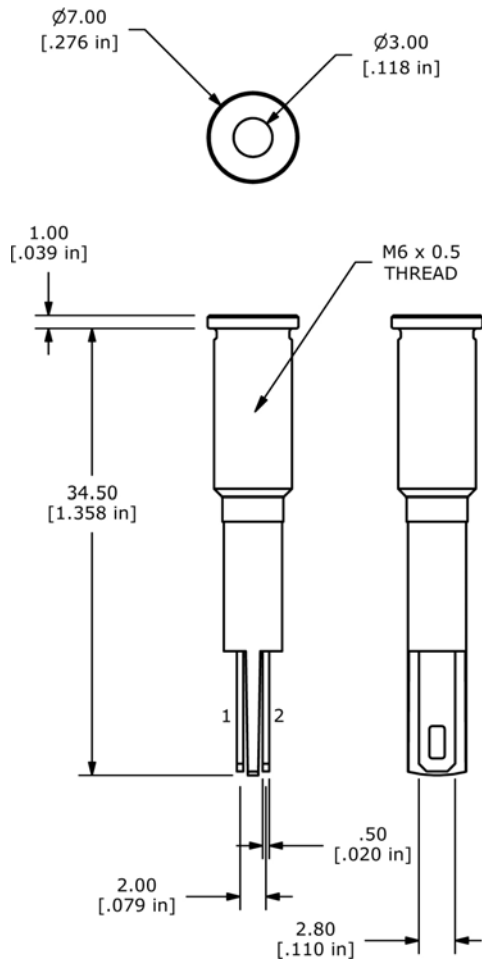
800.867.2717

2

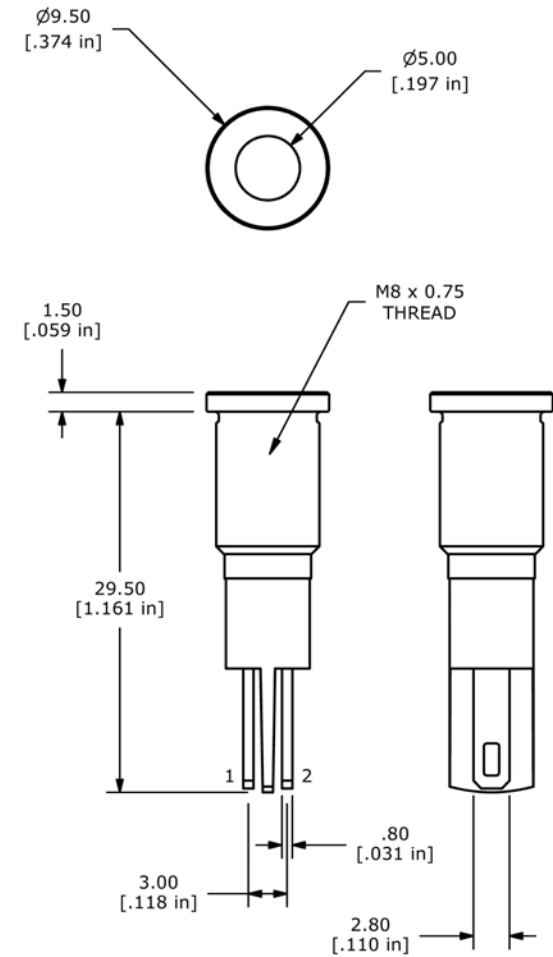
PVL SERIES PILOT INDICATOR

BODY DIMENSIONS

PVL06



PVL08



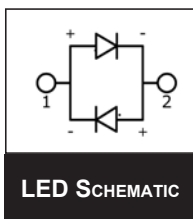
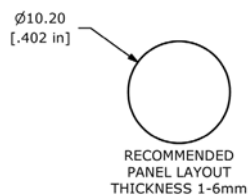
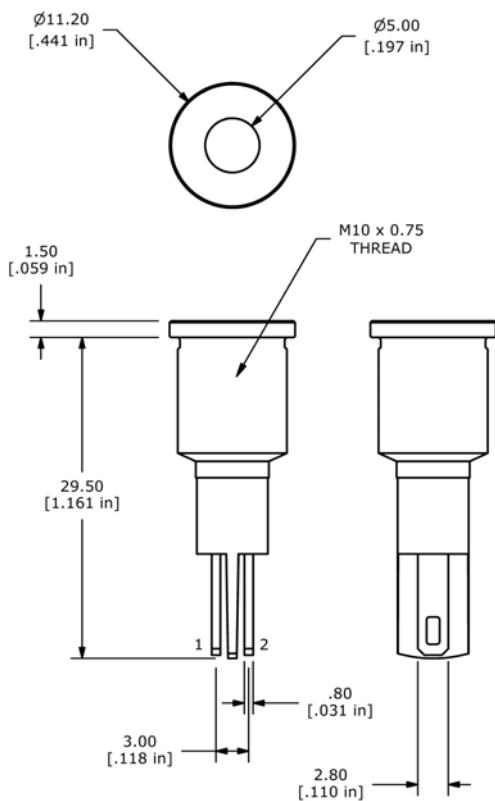
- ANTI-VANDAL SWITCHES
- DETECTOR SWITCHES
- DIP SWITCHES
- KEYLOCK SWITCHES
- NAVIGATION SWITCHES
- PUSHBUTTON SWITCHES
- ROCKER SWITCHES
- ROTARY SWITCHES
- SLIDE SWITCHES
- SNAP ACTION SWITCHES
- TACTILE SWITCHES
- TOGGLE SWITCHES
- CAP OPTIONS



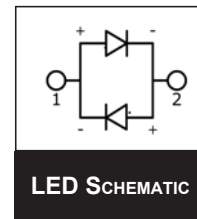
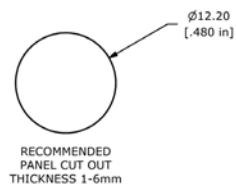
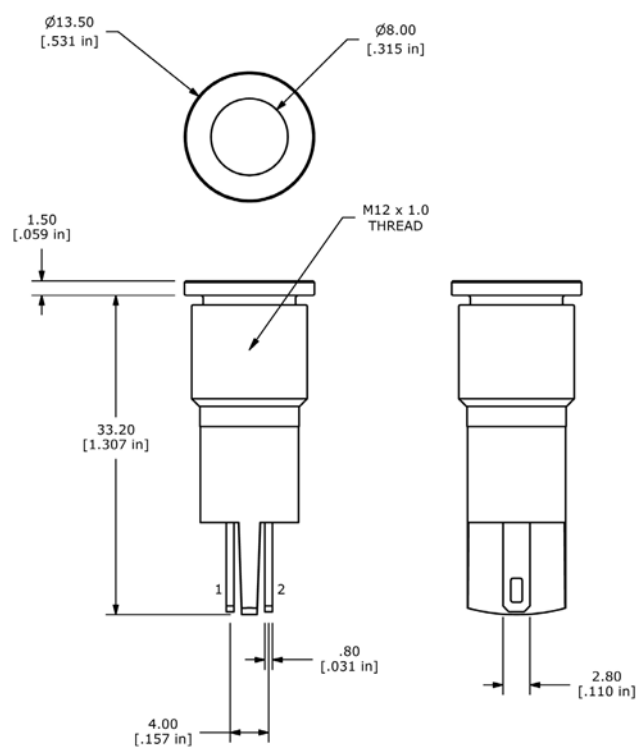
PVL SERIES PILOT INDICATOR

BODY DIMENSIONS

PVL10



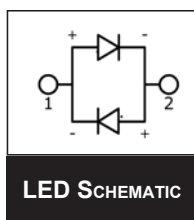
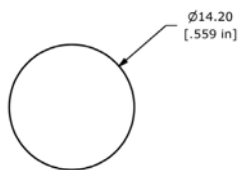
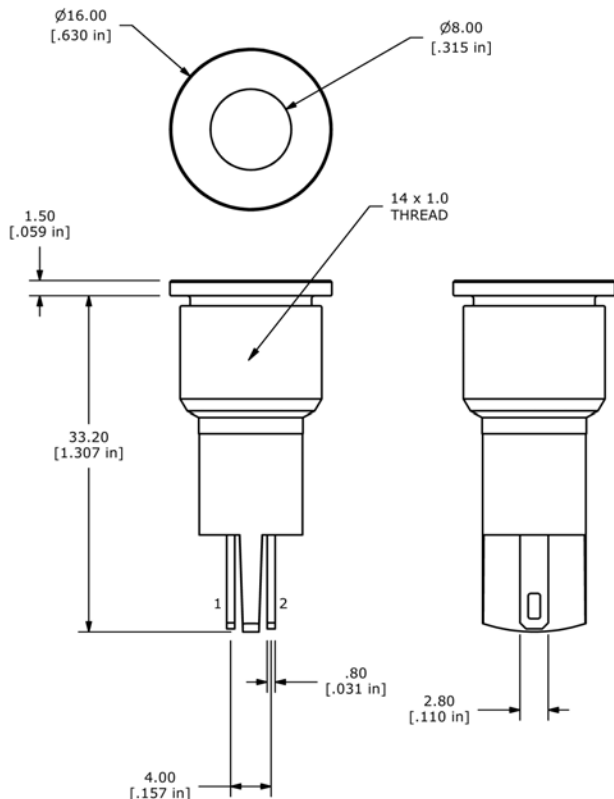
PVL12



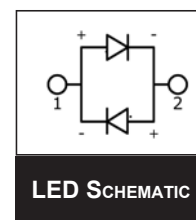
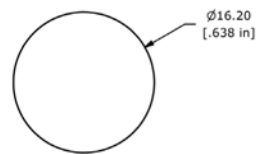
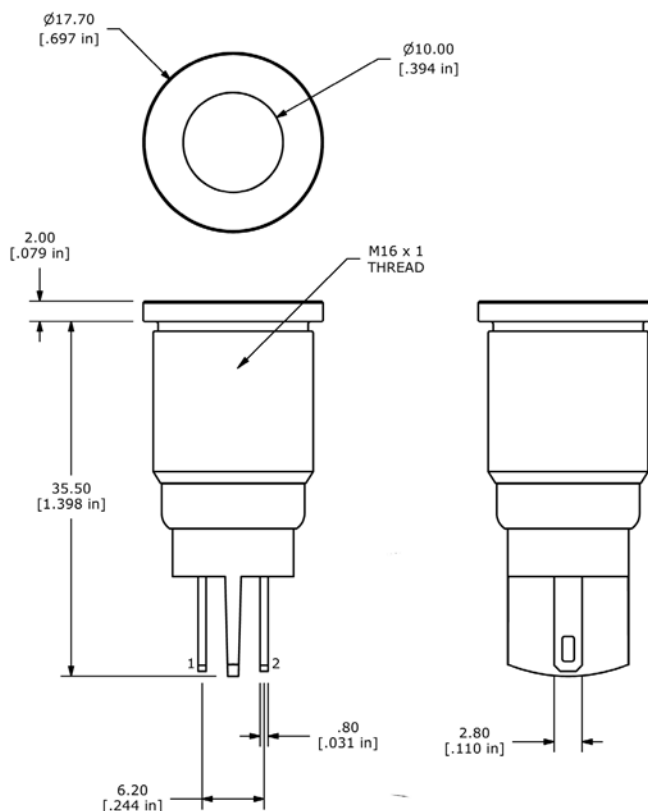
PVL SERIES PILOT INDICATOR

BODY DIMENSIONS

PVL14



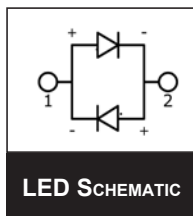
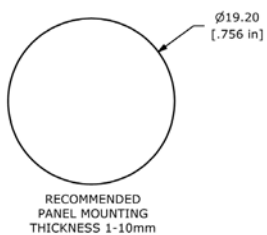
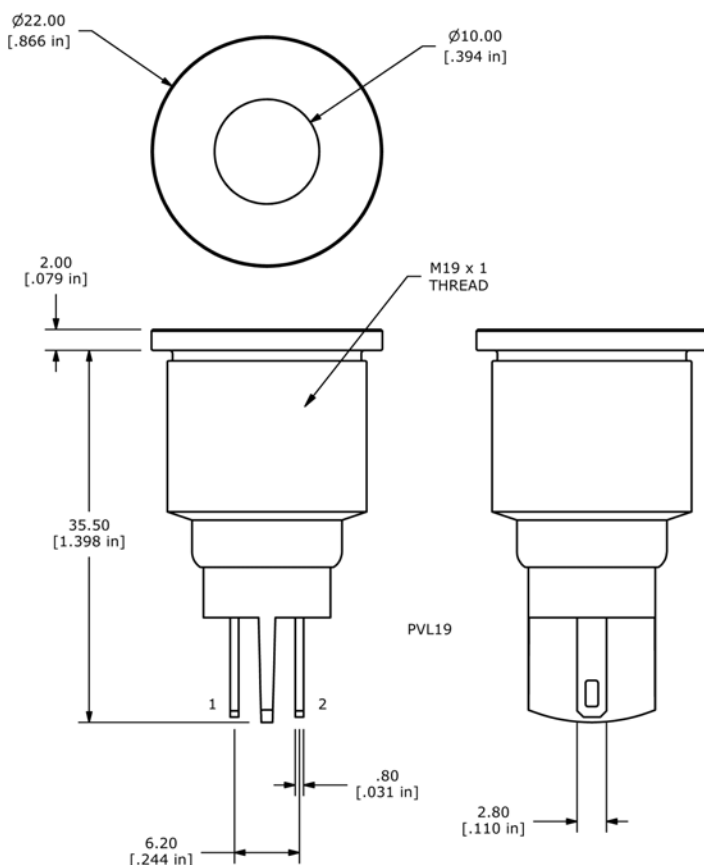
PVL16



PVL SERIES PILOT INDICATOR

BODY DIMENSIONS

PVL19



- ANTI-VANDAL SWITCHES
- DETECTOR SWITCHES
- DIP SWITCHES
- KEYLOCK SWITCHES
- NAVIGATION SWITCHES
- PUSHBUTTON SWITCHES
- ROCKER SWITCHES
- ROTARY SWITCHES
- SLIDE SWITCHES
- SNAP ACTION SWITCHES
- TACTILE SWITCHES
- TOGGLE SWITCHES
- CAP OPTIONS

