

C-Series

SINGLE POLE TOGGLE SWITCHES

The C-Series single pole compact high current toggle switches are ideal for applications with back panel size constraints. These switches feature self-cleaning contacts and ratings up to 20A 125VAC, 10A 250VAC, 1 1/2 HP 125-250VAC. With a rugged metal construction, these switches figure prominently in markets with stringent current carrying requirements.



Product Highlights:

- ♦ Ratings to 20A 125VAC and 1.5HP 125-250VAC
- ♦ Compact size
- ♦ Self-cleaning wiping style contacts
- ♦ 4 termination choices

Typical Applications:

- ♦ Environmental Controls
- ♦ Marine
- ♦ Food Service
- ♦ Vacuum Cleaners



Dielectric Strength

1000V - live to dead metal parts and opposite polarity.

Electrical Life

25,000 cycles

Mechanical Life

100,000 cycles

Operating Temperature

32°F to 185°F (0°C to 85°C)

CA201 - **73**

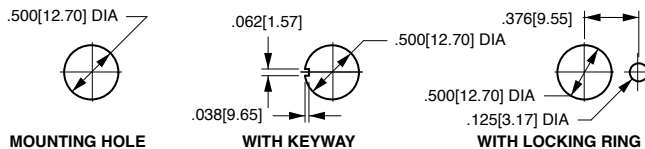
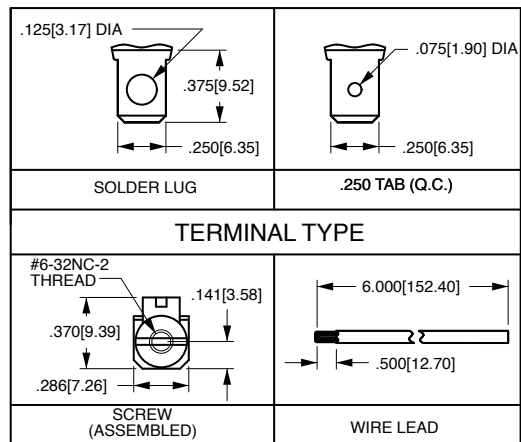
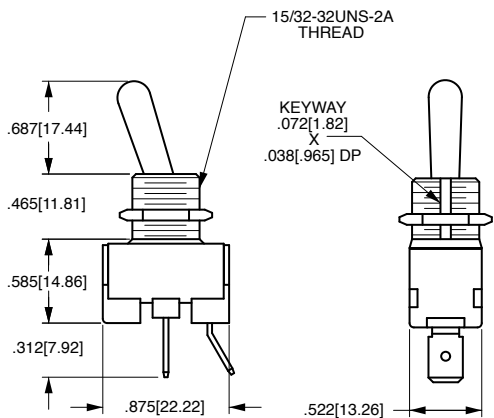
¹
Base Part Number

²
Actuator Style

1 BASE PART NUMBER: SERIES / POLES / CIRCUITRY / RATING / TERMINATION				
10A 250VAC, 20A 125VAC, 1 1/2 HP 125-250VAC				
Single Pole	Solder Lug	.250 Tab	Screw Term.	Wire Leads
On-None-Off	CA200	CA201	CA204	CA205
On-None-On	CB200	CB201	CB204	CB205

2 ACTUATOR STYLE ¹				
BAT	unsealed 73	sealed 78	toggle length 0.687	bushing length 0.465

Notes:
1 Additional toggle styles available. Consult factory.



*Manufacturer reserves the right to change product specification without prior notice.

Authorized Sales Representatives

Click on the group name on the map below to find your local representative or visit www.carlingtech.com/findarep.



About Carling

Founded in 1920, Carling Technologies is a leading manufacturer of electrical and electronic switches and assemblies, circuit breakers, electronic controls, power distribution units, and multiplexed power distribution systems. With four ISO registered manufacturing facilities and technical sales offices worldwide, Carling Technologies Sales, Service and Engineering teams do much more than manufacture electrical components, they engineer powerful solutions! To learn more about Carling please visit www.carlingtech.com/company-profile.

To view all of Carling’s environmental, quality, health & safety certifications please visit www.carlingtech.com/environmental-certifications

Worldwide Headquarters

Carling Technologies, Inc.
60 Johnson Avenue, Plainville, CT 06062
Phone: 860.793.9281 **Fax:** 860.793.9231
Email: sales@carlingtech.com

Northern Region Sales Office: nrsm@carlingtech.com
Southeast Region Sales Office: sersm@carlingtech.com
Midwest Region Sales Office: mrsm@carlingtech.com
West Region Sales Office: wrsm@carlingtech.com
Latin America Sales Office: larsm@carlingtech.com

Asia-Pacific Headquarters

Carling Technologies, Asia-Pacific Ltd.,
Kowloon, Hong Kong
Phone: Int + 852-2737-2277 **Fax:** Int + 852-2736-9332
Email: sales@carlingtech.com.hk

Shenzhen, China: shenzhen@carlingtech.com
Shanghai, China: shanghai@carlingtech.com
Pune, India: india@carlingtech.com
Kaohsiung, Taiwan: taiwan@carlingtech.com
Yokohama, Japan: japan@carlingtech.com

Europe | Middle East | Africa Headquarters

Carling Technologies LTD
4 Airport Business Park, Exeter Airport,
Clyst Honiton, Exeter, Devon, EX5 2UL, UK
Phone: Int + 44 1392.364422 **Fax:** Int + 44 1392.364477
Email: ltd.sales@carlingtech.com

Germany: gmbh@carlingtech.com
France: sas@carlingtech.com



Carling Technologies™

Innovative Designs. Powerful Solutions.