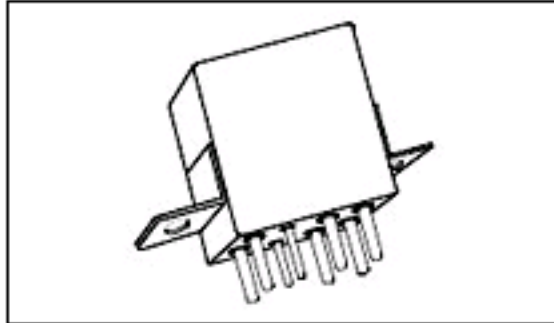




FCA-210-FZ9 Product Details

[Share](#) | [Print](#) | [Email](#)


FCA-210-FZ9
(2-1617752-3)

TE Internal Number: 2-1617752-3

 **Active**

Military/Aerospace Mid-Range Relays

[Not EU RoHS or ELV Compliant](#)

Product Highlights:

- FCA 10-25 Amp Relay Series
- AC Actuating System
- Coil - Rated Voltage = 115 VAC
- Frequency = 50/400 Hz
- Contact Arrangement = 2 Form C, DPDT, 2 C/O

[View all Features](#)

Quick Links

- ▶ [Check Pricing & Availability](#)
- ▶ [Search for Tooling](#)
- ▶ [Product Feature Selector](#)
- ▶ [Contact Us About This Product](#)

[Add to My Part List](#)
 [Request Sample](#)
 [Find Similar Products](#)
 [Buy Product](#)

Documentation & Additional Information

Product Drawings:

- [MSD RELAY](#) (PDF, English)

Catalog Pages/Data Sheets:

- None Available

Product Specifications:

- None Available

Application Specifications:

- None Available

Instruction Sheets:

- None Available

CAD Files:

- None Available

Additional Information:

- [Product Line Information](#)

Additional Product Images:

- [Dimensional Drawing](#)
- [Wiring Diagram](#)
- [Terminal Type](#)

Related Products:

- [Tooling](#)

[List all Documents](#)

Product Features (Please use the Product Drawing for all design activity)

Product Type Features:

- Series = FCA 10-25 Amp Relay
- [Terminal Configuration](#) = Solder Pins

Electrical Characteristics:

- [Actuating System](#) = AC
- [Coil - Rated Voltage \(VAC\)](#) = 115
- [Frequency](#) = 50/400 Hz
- [Current Rating \(A\)](#) = 10

Termination Features:

- [Terminal Plating](#) = Tin-Lead
- Auxiliary Contacts = Without

Body Features:

- Mount Type = No Brackets

Configuration Features:

- [Contact Arrangement](#) = 2 Form C, DPDT, 2 C/O
- [Coil Suppression Diode](#) = Without
- Coil - Magnetic System = Polarized, Monostable

Industry Standards:

- Government/Industry Qualification = No
- [RoHS/ELV Compliance](#) = Not ELV/RoHS compliant
- [Lead Free Solder Processes](#) = Not suitable for lead free processing

Other:

- Brand = CII

Corporate Information

[Who We Are](#)
[Investors](#)
[News Room](#)
[Supplier Portal](#)
[Careers](#)

Quick Links

[Check Distributor Inventory](#)
[Cross Reference](#)
[Find Documents & Drawings](#)
[Product Compliance Support Center](#)
[Site Map](#)

Customer Support

[Email or Chat With Us](#)
[Find a Phone Number](#)
[Search Knowledge Base](#)
[Manage your Account](#)

Keep Me Informed

Receive TE News, Events & Technology Updates

Enter your email address

