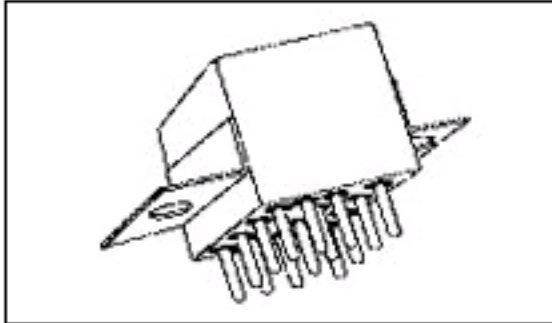




FCB-405-0617M Product Details

[Share](#) | [Print](#) | [Email](#)


FCB-405-0617M
(M83536/6-017M)

TE Internal Number: 7-1617760-7

 **Active**

Military/Aerospace Mid-Range Relays

[Not EU RoHS or ELV Compliant](#)

Product Highlights:

- FCB 5-10 Amp Relay Series
- DC Actuating System
- Coil - Rated Voltage = 28 VDC
- Contact Arrangement = 4 Form C, 4PDT, 4 C/O
- Current Rating = 5 A

[View all Features](#)

Quick Links

- ▶ [Check Pricing & Availability](#)
- ▶ [Search for Tooling](#)
- ▶ [Product Feature Selector](#)
- ▶ [Contact Us About This Product](#)

[Add to My Part List](#)
 [Request Sample](#)
 [Find Similar Products](#)
 [Buy Product](#)

Documentation & Additional Information

Product Drawings:

- [MSD RELAY](#) (PDF, English)

Catalog Pages/Data Sheets:

- None Available

Product Specifications:

- None Available

Application Specifications:

- None Available

Instruction Sheets:

- None Available

CAD Files:

- None Available

Additional Information:

- [Product Line Information](#)

Related Products:

- [Tooling](#)

[List all Documents](#)

Product Features (Please use the Product Drawing for all design activity)

Product Type Features:

- Series = FCB 5-10 Amp Relay
- [Terminal Configuration](#) = Solder Pins

Electrical Characteristics:

- [Actuating System](#) = DC
- [Coil - Rated Voltage \(VDC\)](#) = 28
- [Current Rating \(A\)](#) = 5

Termination Features:

- [Terminal Plating](#) = Tin-Lead
- Auxiliary Contacts = Without

Body Features:

- Mount Type = No Brackets

Configuration Features:

- [Contact Arrangement](#) = 4 Form C, 4PDT, 4 C/O
- [Coil Suppression Diode](#) = With
- Coil - Magnetic System = Polarized, Monostable

Industry Standards:

- Government/Industry Qualification = Yes
- Government/Industry Part Number = M83536/6-017M
- [RoHS/ELV Compliance](#) = Not ELV/RoHS compliant
- [Lead Free Solder Processes](#) = Not relevant for lead free process

Other:

- Brand = CII

Corporate Information

[Who We Are](#)

[Investors](#)

[News Room](#)

[Supplier Portal](#)

[Careers](#)

Quick Links

[Check Distributor Inventory](#)

[Cross Reference](#)

[Find Documents & Drawings](#)

[Product Compliance Support Center](#)

[Site Map](#)

Customer Support

[Email or Chat With Us](#)

[Find a Phone Number](#)

[Search Knowledge Base](#)

[Manage your Account](#)

Keep Me Informed

Receive TE News, Events & Technology Updates

