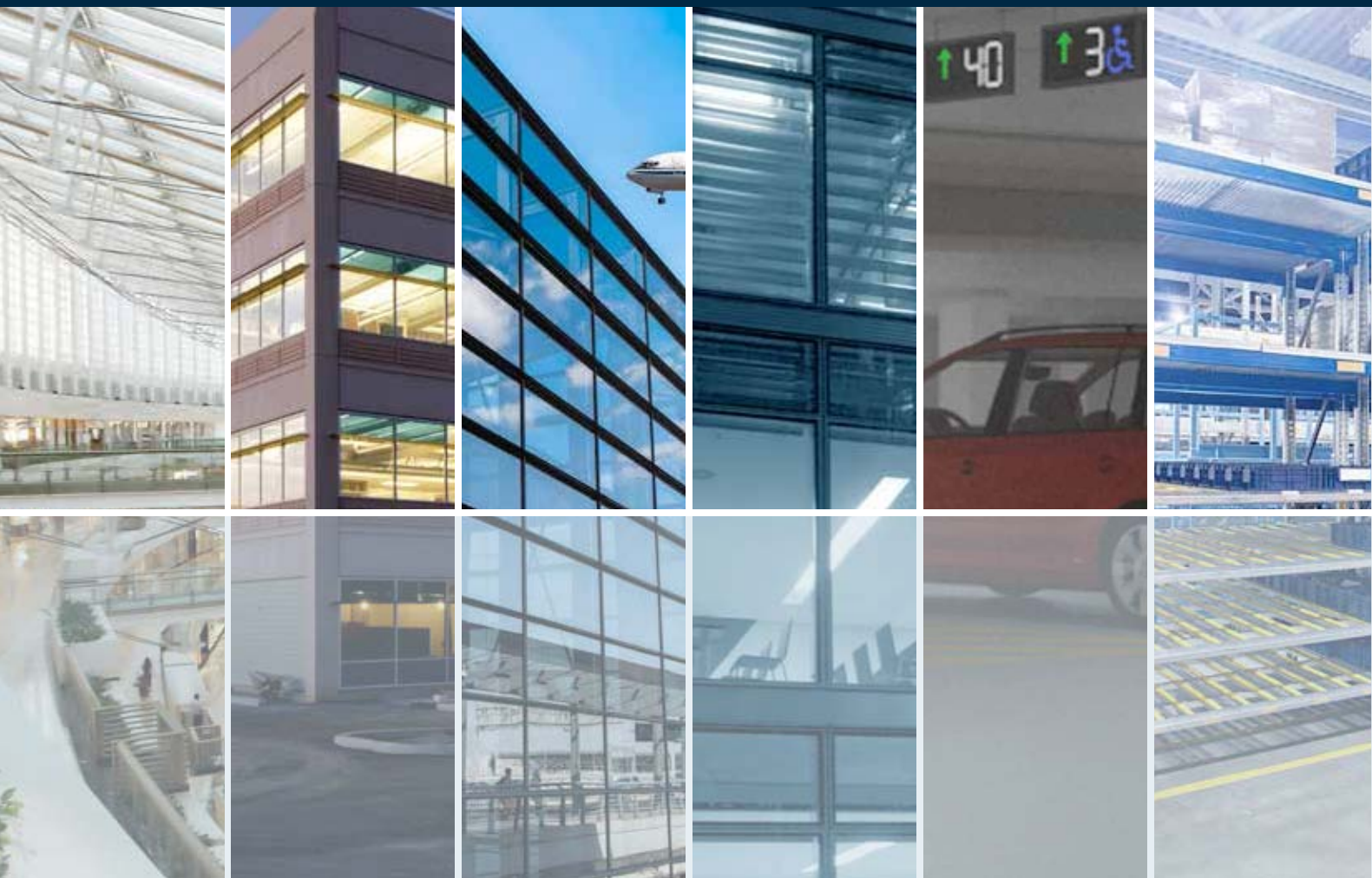




Solutions

Building Automation

Building Automation Solutions for



Metering

Lighting control

HVAC systems

Integrated solutions

Parking guidance system

Monitoring and protection

ABOUT CARLO GAVAZZI

Carlo Gavazzi Automation is a multinational electronics group active in the design, manufacture and marketing of electronic equipment targeted at the global markets of industrial and building automation.

Our history is full of firsts and our products are installed in a huge number of applications all over the world. With more than 80 years of successful operation, our experience is unparalleled.

We have our headquarters in Europe and numerous offices around the world.

Our R&D competence centres and production sites are located in Denmark, Italy, Lithuania, Malta and the People's Republic of China.

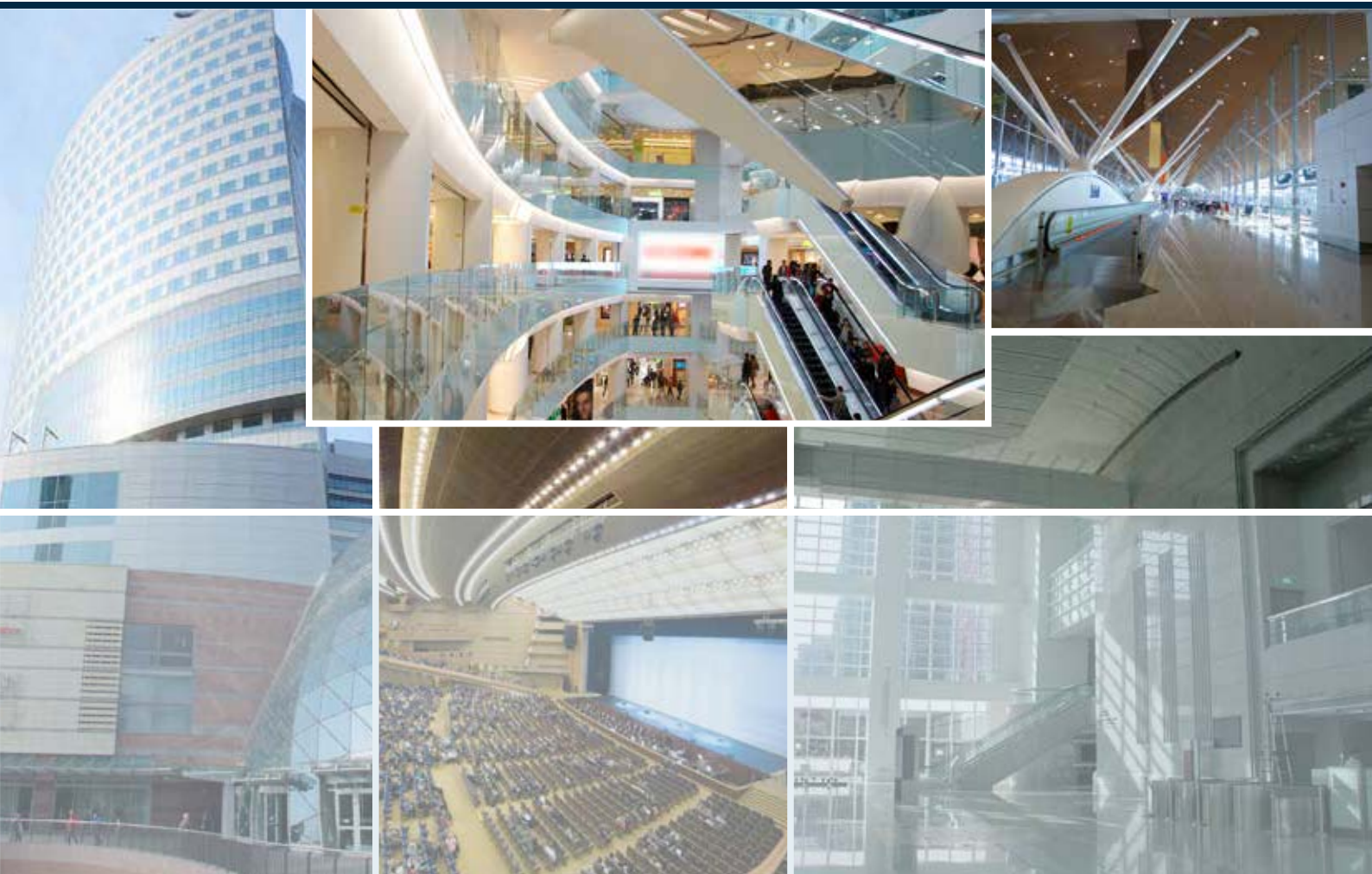
We operate worldwide through 22 of our own sales companies and also selected representatives in more than 65 countries, from the United States in the West to the Pacific Rim in the East.

Our core competence in automation spans four product lines: Sensors, Switches, Controls and Fieldbuses.

Our wide array of products includes sensors, monitoring relays, timers, energy management system, solid state relays, safety devices and fieldbus systems.

We focus our expertise on offering state-of-the-art product solutions in selected market segments.

Our customers include original equipment manufacturers of packaging machines, plastic-injection moulding machines, food and beverage production machines, conveying and material handling equipment, door and entrance control systems, lifts and escalators, as well as heating, ventilation and airconditioning devices.



DESIGNED TO MEET MARKET REQUIREMENTS

Building Automation Systems consists of the networking of electronic devices designed to monitor and control the mechanical, security, lighting, HVAC and humidity control and ventilation systems in buildings such as:

- **Shopping malls**
- **Offices**
- **Airports**
- **Hospitals**
- **Schools**
- **Carparks**
- **Production facilities**
- **Logistics centres**

Commercial Buildings and Infrastructures

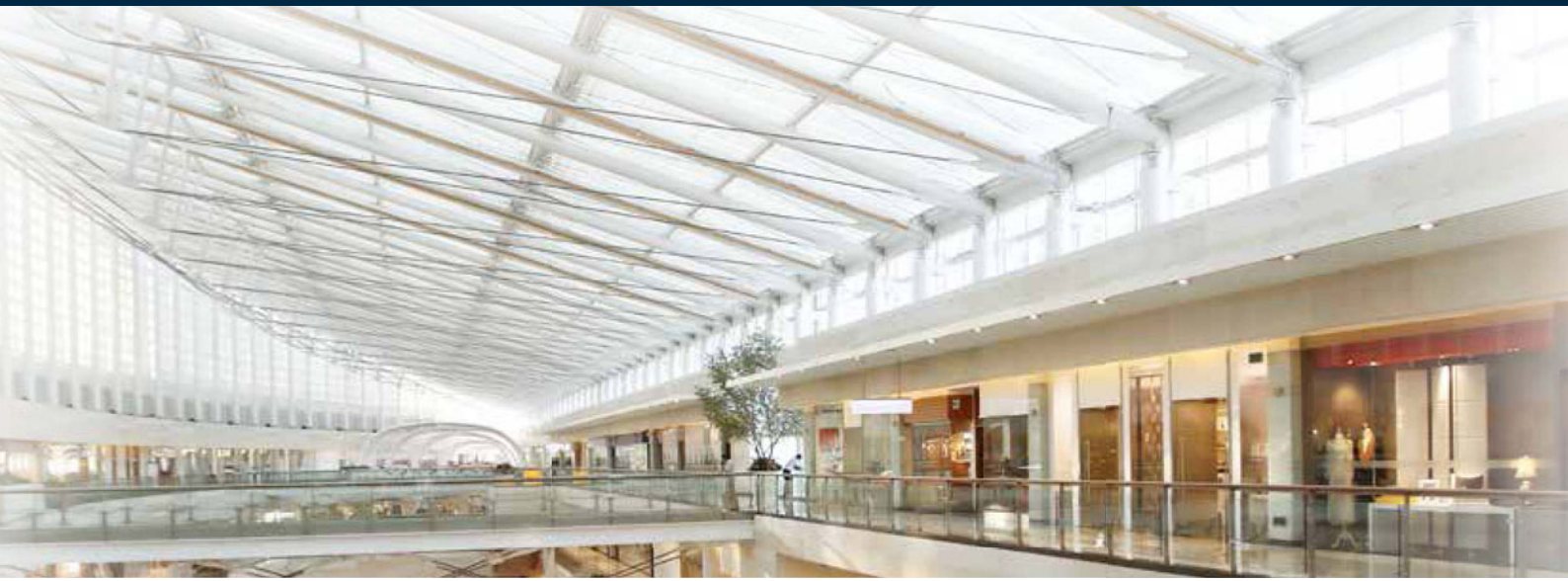
New energy-efficient buildings and the improvement of existing ones are arguably the most important initiatives we can take to reduce energy consumption and limit CO₂ emissions. Energy in these buildings is mainly used for lighting, air-conditioning, ventilation, heating, refrigeration, lifts and motors. The majority of these buildings already exist, so there are great opportunities to improve their energy performance through targeted initiatives, upgrades and retrofitting. To meet the mandatory requirements for energy saving, building owners must comply with efficiency improvement regulations.

Production Facilities and Processes

Predictive maintenance and energy saving are probably the most important issues for improving the efficiency of machinery and reducing overall energy consumption and production downtime. The continuous and efficient operation of equipment is a crucial element in optimising and reducing energy use. In particular, preventing equipment failure through predictive maintenance is very cost effective, both in terms of production output efficiency and in terms of operating costs. High energy users are: motors, electric heaters, lighting systems, air-conditioning units and compressors; all these have to be monitored and optimised in order to reduce energy consumption.

Building Automation

Metering



Energy meters/analysers

EM24
EM26
EM340

Power quality analysers

WM40
WM30
WM20

Current transformers

CTD
TCD
ROG4K

Double 3-phase energy meters

EM270
EM271
EM280

Web servers

VMU-C EM
VMU-Y EM
Em²-Server

The accurate measurement of energy consumption is the first step in the collection and analysis of the information required for effective energy management. Information about the quality of the power used can improve on-site efficiency and facilitate troubleshooting in the case of any problem to the electrical installation.



In many commercial buildings the need to control and measure the energy consumption of single users is becoming more important for an accurate cost allocation. Our energy meters and data logging systems provide information so that operators can identify consumption trends and take corrective action.

By analysing the energy consumption profile, operators can also aggregate loads and negotiate more favourable tariffs with utility companies. Alarm thresholds can be set to warn if preset limits are reached, so that corrective action can be taken. Real-time power consumption monitoring allows energy managers to anticipate overloads, avoid circuit breaks and not exceed contractual

tariffs. You can now monitor in detail each single load of the installation thanks to the new Quick-fit energy meters EM270/271/280. These meters can manage 2 current inputs, so they can monitor 2 three-phase loads at the same time, or 6 single-phase channels. In addition, compact 3-phase current transformers contribute to a smart and rational use of the available space in any switch board, while pre-assembled groups of 3 miniature split-core current allows retrofitting in all the more complex situations. Finally 6-channel current sensing units (either solid- or split-core) allow to extend the granularity of the energy information to each branch of the electrical installation.

Lighting control



BACnet controller

SB2WEB24

DALI bus generator

SB2DALI230

PIR + Lux meters

**SHSQP360L
SH...P90L
SH...P150/150L**

Light switches

**SHG....LS4
SHG....LS6
SHG....SLD
B..X-LS4-U**

Analogue input modules

**BDB-INCONX-U
SHPIN**

Decentral output modules

BDA-RE13A-U

The use of electricity for lighting obviously has a considerable impact on energy consumption in commercial buildings, infrastructures, production facilities and logistic centres.

In the case of hospitals and airports, or in the case of shiftwork, lighting is used 24 hours per day, all year round, heavily impacting on total consumption.

Energy bills can be reduced by installing energy-efficient control systems.

Using lighting controls for dimming or turning lights on and off, such as dimmers and luminosity and occupancy sensors, energy efficiency is increased.

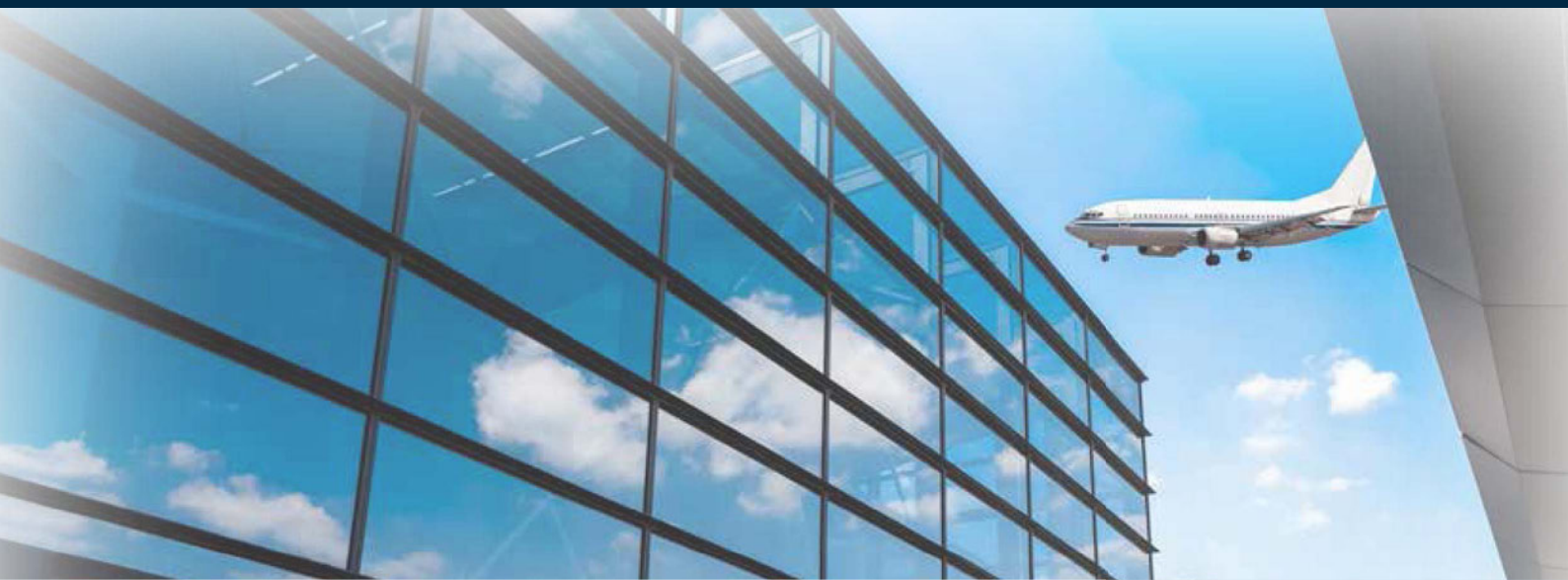
- Dimmers reduce the power supplied to the bulbs, limiting consumption and increasing their life cycle.
- Lux sensors dim or turn lights on or off in response to natural lighting levels.

- Presence sensors activate lights when a person is in the area and turn the lights off after the person has left.



Building Automation

HVAC systems



Soft starters

**RSBD/RSGD
RSBT/RSWT**

Environmental sensors

**SHSU
ESTHD**

PIR + Lux meters

**SHSQP360L
SH...P90L
SH...P150/150L**

Solid state relays

**RGC1A/RGC1P
RGC2A/RGC2P
RGC3A/RGC3P**

Monitoring relays

**DPA51
DPA53
DPB51**

Energy meters/analysers

**EM210
EM110/EM111
EM112**

Commercial buildings and infrastructures, production sites and logistics centres, use a large percentage of energy in HVAC systems.

This is due to the presence of a large number of people who need to be offered the most comfortable environment.

Most of the motors used in ventilation systems are simply switched on and off with no speed control.

Various switching modes are available in the new RGC1P (1-phase) and RGC3P (3-phase) solid state controllers to cater for different application needs, such as phase angle switching for speed

control and light dimming and full cycle switching for temperature control.

The version with soft starting prevents high inrush currents associated with loads which have a high cold/hot resistance ratio.

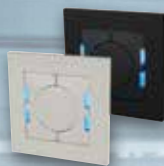
RSBD and RSBT soft starters are used to limit the scroll compressor starting current thereby eliminating light flickering.

RSWT and RSGD soft starters are used to control the acceleration of pumps and ventilators to reduce mechanical stress on the motor shaft.

Presence sensors provide zoned temperature control by setting on/off time schedules for the right climate conditions.



Integrated solutions



BACnet controller

DALI bus generator

PIR + Lux meters

Light switches

Environmental sensors

Decentral I/O modules

SB2WEB24

SB2DALI230

**SH...P150/150L
SHSQP360L
SH...P90L**

**B..X-LS4-U
SHG....LS4
SHG....LS6
SHG....SLD**

**SHSU....D
SHSU....L
SHSU....**

**SHPIN....
BDB-INCONX-U
BDA-RE13A-U**

Carlo Gavazzi's innovative bus technology, Dupline®, allows system integrators to design and build efficient building automation systems integrating lighting control, HVAC and metering at the field level.

The Dupline® bus greatly simplifies the installation and commissioning of a building automation system. Sensors and I/O-modules are bus-powered and designed for de-central installation, hence the cabling is merely a question of multi-dropping the 2-wire bus from module to module.

This provides a significant installation cost reduction compared to the traditional star wiring, where every signal needs a wire back to the

controller, and every module needs power supply connection. Furthermore, the system provides high flexibility for last minute changes and future enhancements, because the 2-wire cable is already available throughout the installation, so it is easy to add extra modules.

The brain in the system is the SB2WEB BACnet controller, which performs the intelligent functions, and at the same time provides the link to any upper level BMS through BACnet/IP. During configuration, the PC-based programming tool scans the Dupline® network and automatically assigns addresses to all the data points and

creates the relevant BACnet objects. This allows any BACnet compatible DDC controller to use Dupline® as remote I/O by reading and controlling the data points through standard BACnet objects.

In the lighting control system, Dupline® is used for presence and movement detectors, lux sensors and light switches etc, while the DALI bus is used for the lighting actuators (ballasts).

The DALI controller is a 2-DIN module, which connects to the Dupline® bus at any point. The SB2WEB provides a range of pre-defined lighting functions, including the much used constant light control.

Building Automation

Parking guidance system



Carpark controller

SBP2WEB24

Carpark master generator

SBP2MCG324

Carpark display interface

SBP2DI48524

45° ultrasonic sensors

SBPSUSL45

360° LED indicator

SBPILED

Carpark displays

SBPDISxxxx

The Carpark system is based on Carlo Gavazzi's expertise in sensing and communications technology within the industrial automation market.

Our patented Dupline® 3-wire bus forms part of a tried and tested network, with more than 150,000 installations worldwide. The system is completely scalable and can be used in any type and size of indoor carpark. In spite of its advanced functions, the system is easy to install and configure, allowing detection, counting and indication of vacant spaces. By means of signs with directional arrows and LED indicators, drivers are guided to the closest vacant parking bay, resulting in considerable time saving,

especially if only few spaces are vacant. Our Parking Guidance System not only provides drivers with more convenience and less stress, but by monitoring the whole situation of the parking area it increases efficiency in car flow, reducing energy costs. Cars can be directed to pre-selected areas of the carpark, while the system ensures that lighting and ventilation systems are disabled in unoccupied zones. Carlo Gavazzi's product range for carpark systems, in addition to the controller, sensors, LED indicators and displays, also includes products for smart building functions.

A unique feature of the system is the possibility to integrate control of

lighting and ventilation into the same structure. Lighting and ventilation are the two biggest energy consumers in a carpark, and often they are simply left ON continuously.

By using demand-based control functions, where lighting and ventilation are switched on when needed, significant savings can be achieved.

By means of its built-in BACnet communication capability, the controller can be seamlessly integrated into any Building Management System. Our CO sensors can monitor the CO level emitted by the vehicles in the car park and provide an alarm in the case the CO level reaches hazardous level.

Monitoring and protection



Power transducers

CPT

Current transformers

**E83
A82
MP3**

3-phase monitoring relays

**DPA51
DPA53**

Current monitoring relays

**DIA53
DIA01**

Surge protection devices

**DSF A/P
DSB A/P
DSB51XXDP**

Good voltage level and stability are fundamental requirements for reliable equipment operation; too low or too high voltage levels could cause failures. It is important to monitor the instant level of voltage as well as voltage sags and transients which may occur over time. In a production facility it is quite common to use and add to electrical loads, especially these with high in-rush current. Voltage sags indicate that a system is not able to respond properly to load requirements, leading to production process interruptions. Monitoring voltage balance in a three-phase power distribution system is crucial for the efficiency of motors and any three-phase load;

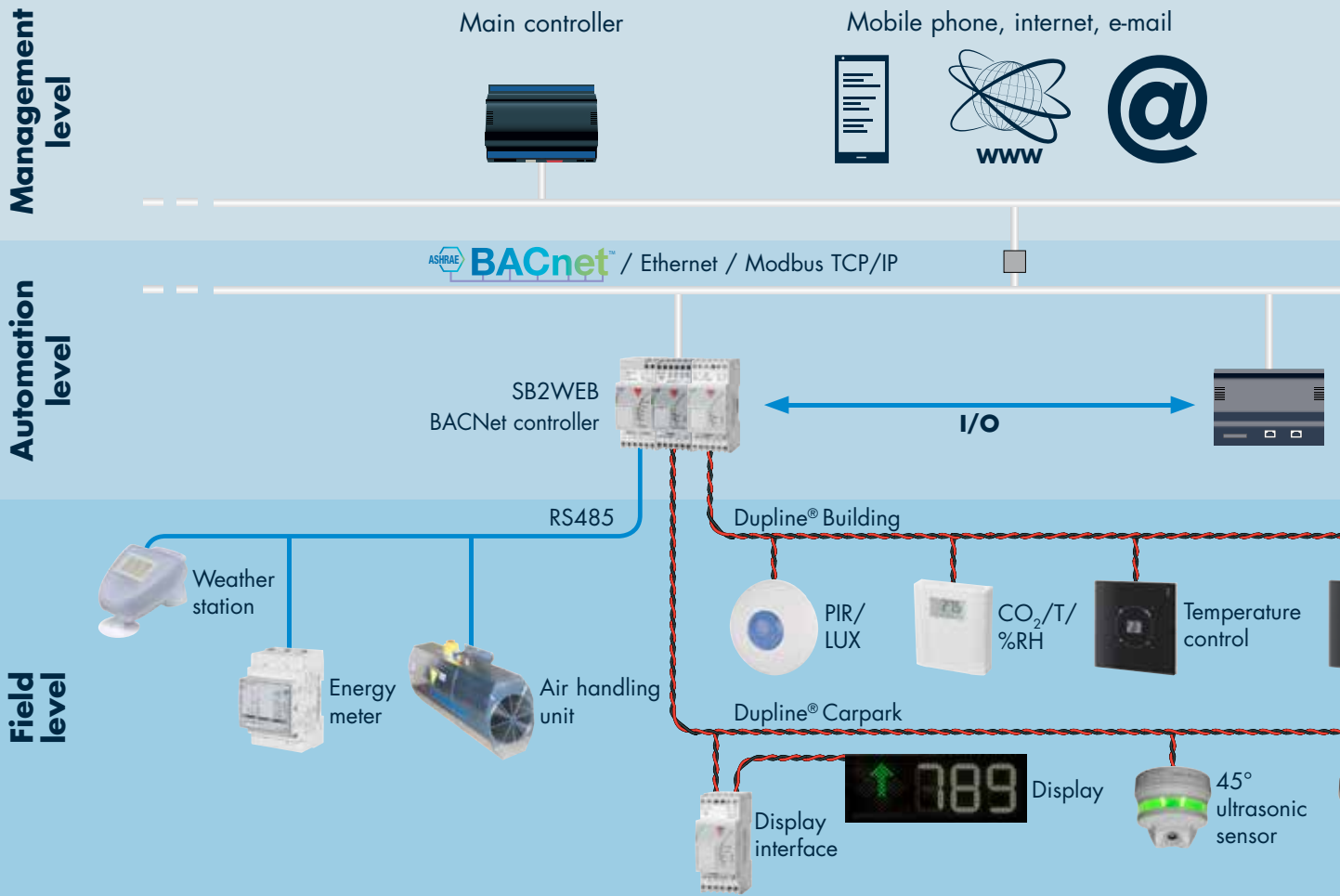
an unbalanced supply can cause poor performance of the equipment, leading to premature motor failure due to increased mechanical stress. Controlling harmonic distortion helps prevent failures of critical equipment such as motors and transformers; the main problems caused by harmonics are overheating of motor windings and transformers, higher susceptibility to voltage sags, excessive current to neutral conductors and noise, all of which reduce the lifespan of the equipment. Within our product range, we can offer devices to monitor the correct level of voltage and frequency of single and 3-phase systems. Phase sequence and loss, along with the

voltage, can be detected, notifying the user if a system failure occurs. The voltage level of the start-up battery can also be properly monitored. We can also offer current monitoring devices capable of sending alarm signals when an over-current situation is detected.

Our new Surge Protection devices can be used in Building Automation applications, in order to protect devices connected to the mains. A special range has been developed for the protection of Dupline® buses as well as for RS485 communication lines.

Building Automation

Lighting, environmental and carpark control



Dupline® into a BAS infrastructure

The Dupline® fieldbus carries out the task to link together all the field level devices in a simple and cost-effective way, and to centralize the data in the BACnet controller SB2WEB. Any DCC and BMS front end with the capability to act as BACnet client then have access to all the Dupline® data points via the BACnet/IP connection, thereby eliminating the need for hardwired I/O.

The SB2WEB programmable functions include several pre-defined lighting control functions for energy saving, based on presence detection, lux level and dimming of lights via the DALI bus. All of the functions can be controlled and managed via BACnet objects, for example adjusting operating parameters like lux threshold and energy saving timer.

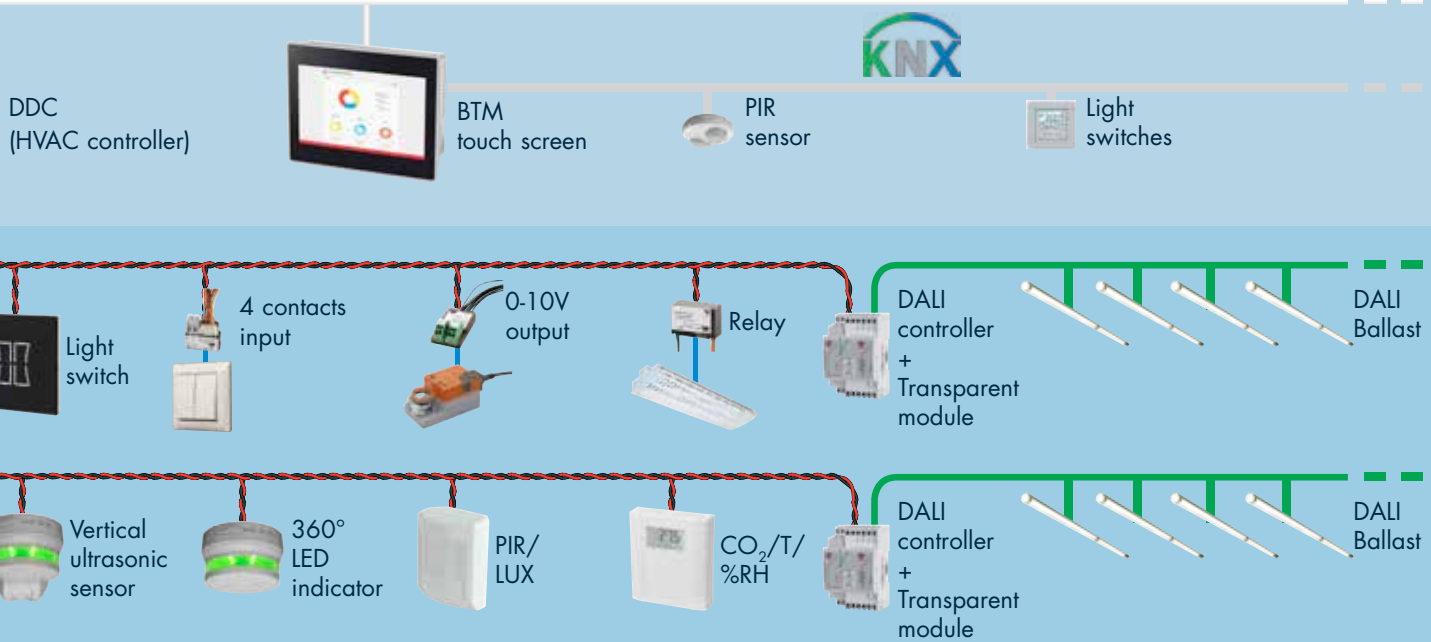
Dupline® at a glance

- 2-wire bus with free topology
- Bus-powered sensors and I/O-modules
- Long transmission distance
- No need for special cables (no shield required)
- High noise immunity
- Easy installation and commissioning
- Technology proven in 100.000+ industrial installations
- Cost-effective



BACnet is standard communications protocol for building automation and control networks. It is an ASHRAE, ANSI, and ISO standard protocol too.

ASHRAE **BACnet**™ / Ethernet / Modbus TCP/IP



BTM touch screen

The BTM touch screen is now available with BACnet on board in order to control and visualise any data point with an eye-catching user interface: the whole building is under control just with a fingertip.

In addition, using the new KNX plug-in module, the BTM becomes the perfect gateway to integrate Carlo Gavazzi's home and building automation system with the KNX products.



Dupline® benefits

Benefits for system integrators

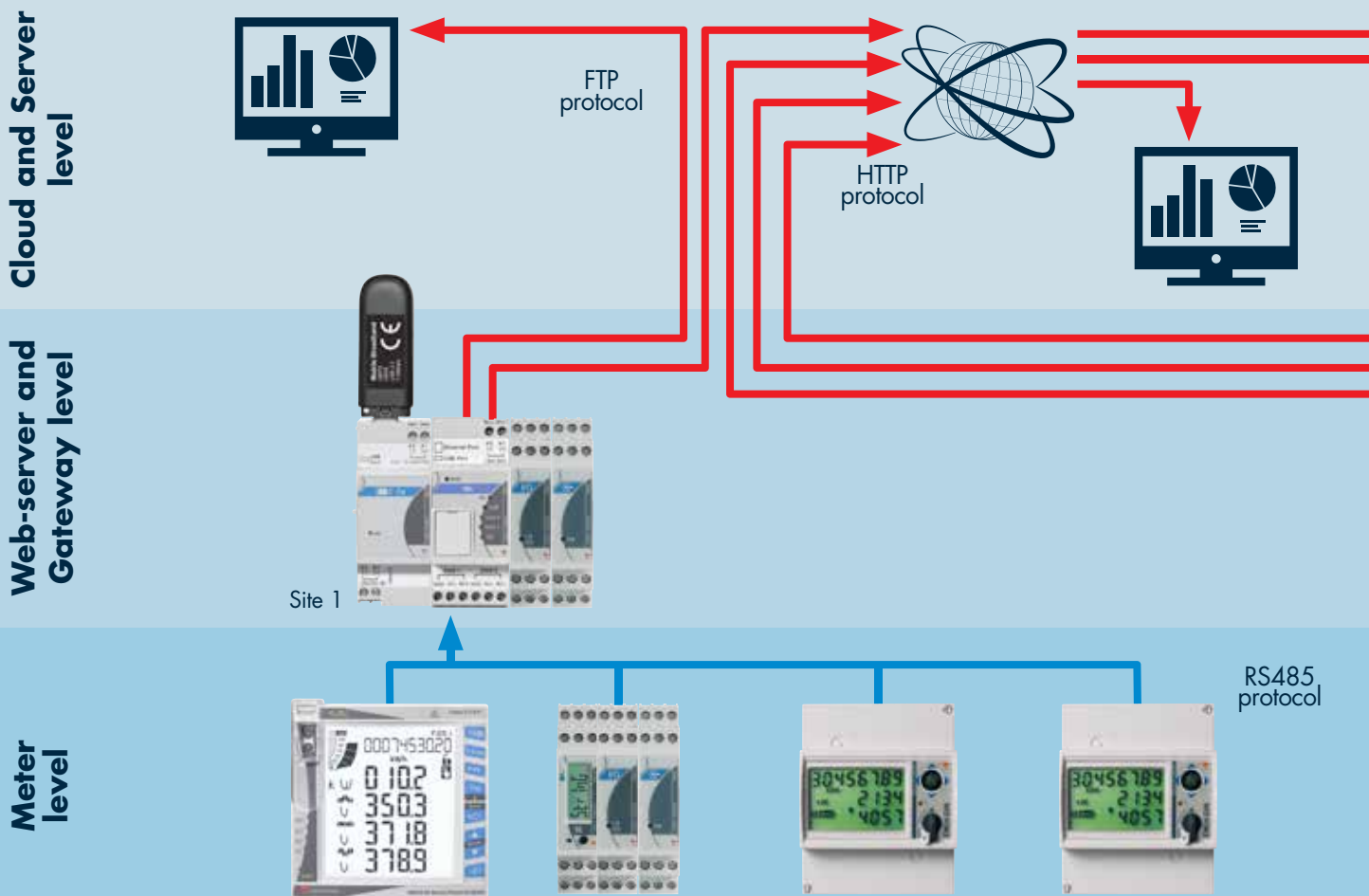
- Simplified system design
- Easier planning
- Reduced installation time
- Reduced commissioning time
- High flexibility for last minute changes and system enhancements
- Enhanced diagnostic
- Reduced cost of implementation

Benefits for building owners

- High flexibility for future enhancements
- Reduced maintenance cost
- Reduced cost of implementation

Building Automation

Energy efficiency monitoring



VMU-C EM into an Energy Monitoring architecture

The VMU-C EM is the core solution for effective Energy Monitoring in applications of all sizes. It collects measurements from energy meters through the fieldbus; it stores information (variables and alarms) in its local database and displays it through its web-based graphical user interface.

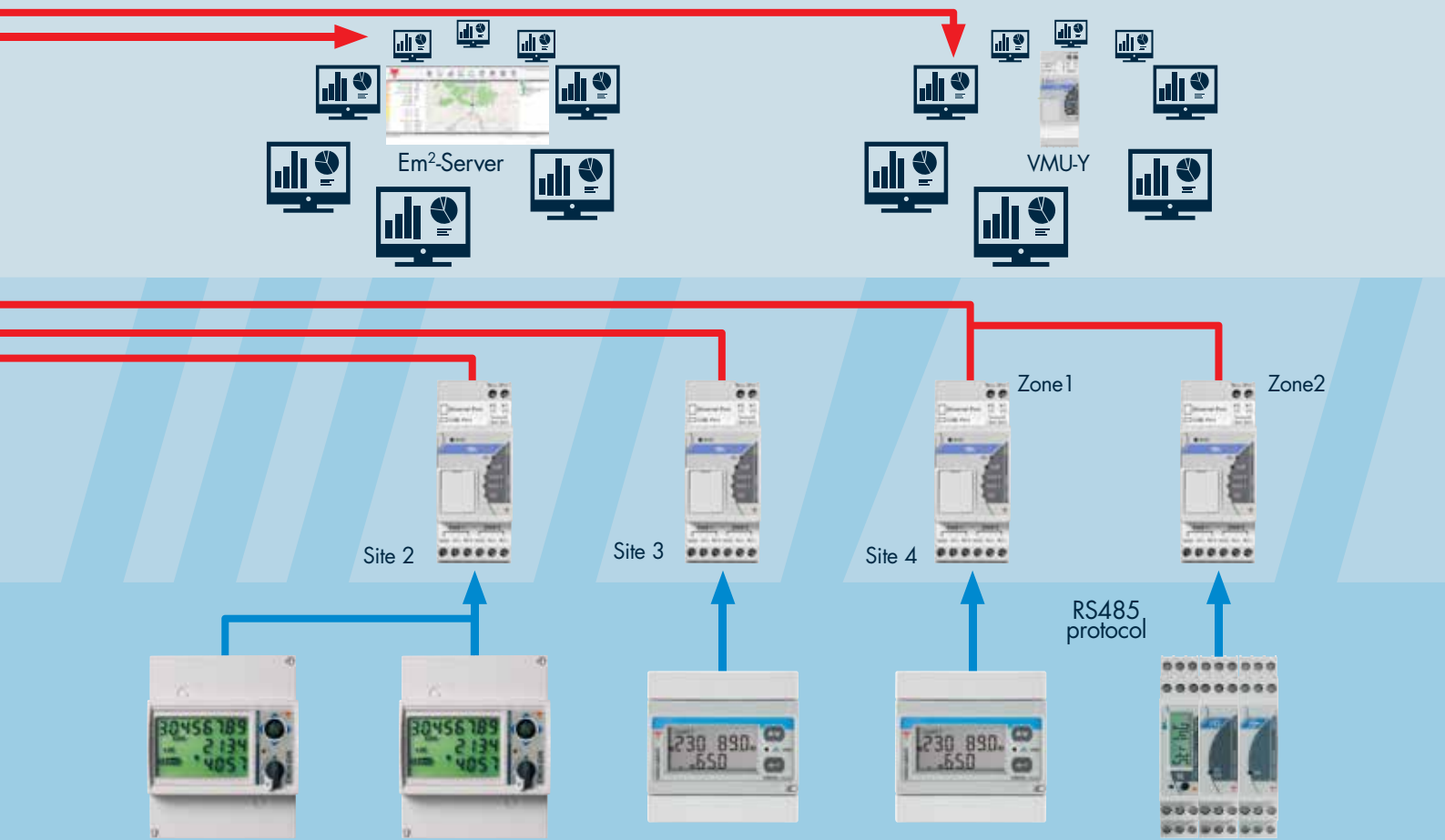
The whole system set-up and operation is possible via the VMU-C's web interface, without any external software.

The VMU-C EM can exchange data with other systems by means of standard FTP/HTTP communication. Multi-site applications can be managed by adding either the Em²-Server or the VMU-Y EM to the VMU-C EM powered installations.



VMU-C EM at a glance

- No crash or compatibility problems due to different operative systems, different languages, libraries, etc.
- Improved IT security
- Application-focused software embedded inside industrial grade hardware: no need for a dedicated PC for monitoring
- On-site database
- Polling device, data-logger and Ethernet gateway in a single compact unit
- Modular solution for additional inputs/outputs
- Optional modular modem for wireless Ethernet connections
- Scalability to multi-site applications by means of VMU-Y + Em²-Server solutions



Em²-Server multi-site cloud solution at a glance

- Multi-site management software based on Virtual Machine concept
- Flexible operation and set-up
- Reliable data communication with VMU-C EM
- Up to 100 geographically different sites can be managed with a single unit
- A single supplier for energy meters, gateways and data management solutions
- Scalable solution



VMU-Y EM multi-site solution at a glance

- Multi-site management software embedded in compact hardware
- Plug and play operation and set-up
- Reliable data communication with VMU-C EM
- Up to 10 geographically different sites can be managed with a single unit
- A single supplier for energy meters, gateways and data management solutions

Building Automation

Our product range

BACnet controller



SB2WEB24

- Multi-protocol device
- Manages up to 7 Dupline® Bus segments
- Connects directly to Energy Meters via Modbus RS485
- Any data point and internal value available as BACnet object
- BTL certified

MAIN FEATURES

- Easy and fast configuration
- Dimensions: 2-DIN modules
- DC power supply

Wired bus generator



SH2MCG24

- Connection to SH2WEB24 via internal bus or terminals via the high speed bus
- Up to 7 SH2MCG24 can be connected on the same network, considering the sum of SH2MCG24 and SH2WBU24

MAIN FEATURES

- Dimensions: 2-DIN modules
- DC power supply

DALI bus generator



SB2DALI230

- Interfaces the Dupline® bus to standard DALI lighting actuators
- Operates as DALI controller and power supply with possibility to connect up to 64 ballasts to the DALI bus output
- Can be linked to Dupline® at any point in the installation
- Multiple SB2DALI230 units can be connected to the same Dupline® bus

MAIN FEATURES

- Allows the powerful combination of Dupline® and DALI
- Compact dimension: 2-DIN module
- 230 VAC power supply

Repeater modules



SB2REP230

- Regenerates the Dupline® carrier signal
- Output current load up to 300 mA
- Extends network length
- Isolates the primary and secondary Dupline®
- 230 VAC power supply

MAIN FEATURES

- Extends the length of the bus cable
- 230 VAC power supply suitable for decentralised installation
- Compact 2-Din housing

Digital input modules 4 inputs



SH2INDI424

- 4 digital inputs NPN, PNP, voltage free
- The 4 inputs can be configured as contact or counter
- LED indication for power supply, Dupline® bus, input activated
- Connection to other cabinet modules via local bus

MAIN FEATURES

- Dimensions: 2-DIN modules
- DC power supply

Output modules solid state relay



SH2SSTRI424

- 4 triac output
- Module load: 4 x 10 W
- LED-indications for supply, bus and outputs status
- Connection to other cabinet modules via local bus
- Push button for local on/off switching

MAIN FEATURES

- Dimensions: 2-DIN modules
- DC power supply

Relay modules



SH2RE16A4

- 4 separate outputs relay
- LED-indications for supply, bus and outputs status
- Connection to other cabinet modules via local bus
- Push button for local on/off switching

MAIN FEATURES

- Dimensions: 2-DIN modules
- Bus supplied

Relay modules with energy reading



SH2RE16A2E230

- 2 outputs relay
- Energy reading
- LED-indications for supply, bus and outputs status
- Connection to other cabinet modules via local bus
- Push button for local on/off switching

MAIN FEATURES

- Dimensions: 2-DIN modules
- 230V supplied

Our product range

Decentral output modules



BDA-RE13A-U

- Small sized single relay output
- Load: 16 A/250 VAC
- Withstands 130 A inrush current

MAIN FEATURES

- Bus powered

Up/down control for DC motor



SHDRODC230

- AC powered small dimension 2 x 5 A relay output for control of roller blind motor
- Relay interlock function for roller blind motor protection
- cUL approved

MAIN FEATURES

- Design for mounting in eurobox
- Relay load 5 A

Up/down control for AC motor



SH2ROAC224

- Up/down control of 2 AC rollerblind motors
- LED indication for power supply, Dupline® bus, motor up, motor down
- Connection to other cabinet modules via local bus
- Push button for local on/off switching

MAIN FEATURES

- Dimensions: 2-DIN modules
- DC power supply

Dimmer modules up to 500 W



SH2D500W1230

- Universal dimmer switch for R, L, C up to 500 W and LED loads
- Integrated heat sink for temperature dissipation
- Automatic load detection for L, R, C load
- Connection to other cabinet modules via local bus
- Push button for local on/off switching

MAIN FEATURES

- Dimensions: 2-DIN modules
- 230 V supplied

Dimmer modules 1-10 V



SH2D10V424

- Switching and dimming adjustable ballasts 1 to 10 V
- 4 independent dimmable outputs
- LED-indications for supply, bus and outputs status
- Connection to other cabinet modules via local bus
- Push button for local on/off switching

MAIN FEATURES

- Dimensions: 2-DIN modules
- DC power supply

Dimmer modules with energy reading



SH2D500WE230

- Universal dimmer switch for R, L, C up to 500 W and LED loads
- Integrated heat sink for temperature dissipation
- Energy reading
- Connection to other cabinet modules via local bus
- Push button for local on/off switching

MAIN FEATURES

- Dimensions: 2-DIN modules
- 230 V supplied

Analogue input modules



**SHPINA224 / SHPINV324
SHPINV2T1P124**

- Ranges: 0-10V, 0-20 mA, 4-20 mA
- 24 VDC powered
- Small dimension

MAIN FEATURES

- Small dimension makes it easy to install decentrally
- SHPINV324: 3 x 0-10V inputs
- SHPINA224: 2 x 0-20 mA / 4-20 mA inputs (configurable)
- SHPINV2T1P124: 2 x 0-10V + 1 x 10K3 + 1 x 1-11K inputs

Temperature resistor input modules



**SHPINNI2
SHPINT1P1**

- Ranges: Pt1000, Ni1000, 10K3 thermistor, 1-11 K potentiometer
- Bus-powered
- Small dimension

MAIN FEATURES

- Small dimension makes it easy to install with existing meters
- Buspowered, so no local power supply needed
- Option for count reset via Smart Dupline®

Building Automation

Our product range

Pulse counter modules



SHPINCNT4 SHPINCNTS04

- Pulse counter module with 4 inputs
- Available with standard S04 inputs and low current inputs
- The count values are stored in non-volatile memory on board
- Input count frequency up to 100 Hz
- Inputs can also be used as digital contact inputs

MAIN FEATURES

- Small dimension makes it easy to install with existing meters
- Buspowered, so no local power supply needed
- Option for count reset via Smart Dupline®

Analogue output modules



SHPOUTV224

- Output modules with two 0-10 V outputs
- Small dimensions for decentralised installations

MAIN FEATURES

- DC power supply

Voltage input modules



BDA-INVOL-U

- Input voltage module for building automation
- 1 opto-isolated voltage input 90-265 VAC

MAIN FEATURES

- Compact housing
- Bus powered

Light switch interfaces



BDB-INCONx-U BDB-IOCP8x-U

- Small-sized 4 or 8 I/O modules
- 4 or 8 contact inputs for push buttons

MAIN FEATURES

- Compact housing
- Bus powered

Glass touch switches



SHG060WLS4/BLS4 SHG503WLS6/BLS6

- 4 or 6 individually programmable keys
- Black or white glass
- Backlight ON when the hand nears the glass
- Programmable buzzer when a key is pressed
- Integrated temperature sensor, range -9° to 50°C

MAIN FEATURES

- Power supply: 24 VDC
- Mounting: 503 box, Ø60 box

Glass touch dimming



SHG060BSLD/WSLD SHG503BSLD/WSLD

- 4 dimmable outputs or on/off functions. The push buttons can be programmed to control up to
- The dimming level is changed by moving the finger over the slider
- Black or white glass
- Backlight ON when the hand nears the glass
- Programmable buzzer when a key is pressed

MAIN FEATURES

- Power supply: 24 VDC
- Mounting: 503 box, Ø60 box

Glass touch temperature



SHG060BSLT/WSLT SHG503BSLT/WSLT

- It can control one temperature function managing 3 setpoints with the slider and on/off functions
- Integrated temperature sensor, range -9° to 50°C
- White and black glass
- Backlight ON when the hand nears the glass
- Programmable buzzer when a key is pressed
- Shows current room temperature and a secondary temperature

MAIN FEATURES

- Power supply: 24 VDC
- Mounting: 503 box, Ø60 box

Light switches



B4X-LS4-U B5X-LS4-U

- 4 individually programmable push button inputs
- 4 individually programmable LEDs for true response
- Bus powered, no external supply required

MAIN FEATURES

- B4X-LS4-U: Developed to fit into wall socket and frames from Fuga, NIKO and Biticino
- B5X-LS4-U: Developed to fit into wall socket and frames from Elko, Gira and Jung

Our product range

Light switch + temperature and humidity sensor	Temperature displays	90° PIR + Lux meters	150° PIR + Lux meters
--	----------------------	----------------------	-----------------------



**SHA4XLS4TH
SHE5XLS4TH**

- 4 individually programmable push button
- Integrated temperature and humidity sensor
- Temperature range: -40° to 60°C
- Humidity range: 5 to 95 %

MAIN FEATURES

- SHA4XLS4TH: Developed to fit into wall socket and frames from Fuga, NIKO and Bticino
- SHE5XLS4TH: Developed to fit into wall socket and frames from Elko, Gira and Jung



**SHA4XTEMDIS
SHE5XTEMDIS**

- Temperature controller with display
- Shows current room, outdoor and auxiliary temperature
- Turns on/off heating and cooling
- Energy Save through 3 different setpoints: comfort, activity, economy

MAIN FEATURES

- Bus powered
- SHA: Developed to fit into wall socket from Fuga, NIKO and Bticino
- SHE: Developed to fit into wall socket from Elko, Gira and Jung



**SHA4XP90L
SHE5XP90L**

- Passive infrared detector (PIR)
- Detects movement and presence
- Indoor and outdoor applications
- Operating angle: 90°
- Lighting measuring range: 0 to 20 K lux

MAIN FEATURES

- Bus powered
- Walk test: LED indication
- Programmable sensitivity



SH..XP150/150L

- Passive infrared detector (PIR)
- Detects movement and presence
- Indoor and outdoor applications
- Operating angle: 150°
- Lighting measuring range: 0 to 20 K lux

MAIN FEATURES

- Bus powered
- Walk test: LED indication
- Programmable sensitivity

90° PIR + Lux meters	360° PIR + Lux meters	Dupline® fire damper I/O modules	Touch screen/ data logger
----------------------	-----------------------	----------------------------------	---------------------------

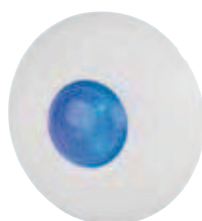


**SHSDP90L / SHSBP90L
SHSPP90L**

- Passive infrared detector (PIR)
- Detects movement and presence
- Indoor and outdoor applications
- Operating angle: 90°
- Lighting measuring range: 0 to 20 K lux

MAIN FEATURES

- Bus powered
- Walk test: LED indication
- Programmable sensitivity



SHSQP360L

- Passive infrared detector (PIR)
- Detects movement and presence
- Indoor and outdoor applications
- Operating angle: 360°
- Lighting measuring range: 0 to 20 K lux

MAIN FEATURES

- Bus powered
- Walk test: LED indication
- Programmable sensitivity



**SBB4I2O24
SBB4I2O230**

- Robust I/O-module for decentralised installation near fire dampers
- Designed to control two fire dampers
- 4 contact inputs (voltage-free)
- 2 relay outputs (230 VAC/3 A)
- 24 VAC or 230 VAC power supply

MAIN FEATURES

- Box for decentralised mounting near or directly on fire dampers
- Easy wiring of the system
- Cost-effective design



**BTM-T4-24
BTM-T7-24**

- 4" / 7" colour display
- Easy setup of graphic pages and functions with the powerful software Wizard
- Activation of internet links through touch buttons
- Support viewing from IP cameras

MAIN FEATURES

- Ethernet connection
- Wide screen display, 64 K colours
- USB port, SD memory, Modbus RTU serial port

Building Automation

Our product range

Wireless bus generators



SH2WBU230N

- Wireless transmission based on IEE 802.15.4, @ 2.4 GHz
- Maximum slave number: 250
- Up to 7 SH2WBU230N can be connected on the same network
- Connection to SH2WEB24 via internal bus or terminals via the high speed bus

MAIN FEATURES

- Dimensions: 2-DIN modules
- DC power supply

Wireless light switches



SHE5XWLS4xFx

- Flat design: can be mounted everywhere
- 4 individually programmable push buttons
- Battery supplied
- Range up to 100m open space

MAIN FEATURES

- Temperature sensor
- It can be mounted in many 55x55 frames (see datasheet)

Wireless relays with energy reading



**SHJWRE10AE230
SHJWRE10AE115**

- Smallest housing in the market
- Wireless transmission based on IEE802.15.4 @ 2.4
- Range up to 700 m in open air
- Load: 10 A/250 VAC

MAIN FEATURES

- Energy reading
- Programmable routing function in two steps
- Mounting into eurobox

Wireless relays with push buttons



**SHJWRE10AEWLS230
SHJWRE10AEBLS230**

- Two capacitive push buttons
- Wireless transmission based on IEE802.15.4 @ 2.4
- Range up to 700 m in open air
- Load: 10 A/250 VAC

MAIN FEATURES

- Energy reading
- Programmable routing function in two steps
- To substitute Bticino switches

Wireless dimmer with energy reading



**SHJWD200WE230
SHJWD200WE115**

- Smallest housing in the market
- Wireless transmission based on IEE802.15.4 @ 2.4
- Range up to 700 m in open air
- Universal dimmer switch for R, L, C up to 200 W and LED loads

MAIN FEATURES

- Energy reading
- Programmable routing function in two steps
- Mounting into eurobox

Wireless dimmer with push buttons



**SHJWD200WEWLS230
SHJWD200WEBLS230**

- Two capacitive push buttons
- Wireless transmission based on IEE802.15.4 @ 2.4
- Range up to 700 m in open air
- Universal dimmer switch for R, L, C up to 200 W and LED loads

MAIN FEATURES

- Energy reading
- Programmable routing function in two steps
- To substitute Bticino switches

Wireless energy meters



**SHJWEM16A230
SHJWEM16A115**

- Smallest housing in the market
- Wireless transmission based on IEE802.15.4 @ 2.4
- Range up to 700 m in open air
- Energy measurement: kWh
- Instantaneous variables readout: A, V, W, Wdmd, VA,

MAIN FEATURES

- Programmable routing function in two steps
- Mounting into eurobox

USB dongle modem accessories



SH2DSP24

- USB port to supply dongle modem HUAWEI MS2131 DLINK DWM 157"
- Support for wi-fi USB key
- Watchdog features to prevent common mobile network hassles

MAIN FEATURES

- Dimensions: 2-DIN modules
- 24VDC supplied

Our product range

Weather station	Lux meters for outdoor installation	Outdoor temperature sensors	Environmental sensors
-----------------	-------------------------------------	-----------------------------	-----------------------



SHOWEAGPS

- Light, wind, temperature measurement
- Ranges: 0 to 100K lux, 0 to 35 m/s, -40° to 80°C
- Rain sensor included

MAIN FEATURES

- Integrated GPS receiver
- Modbus RS485 protocol



BSH-LUX-U

- Lighting measuring range: 0 to 20K lux
- For indoor and outdoor installation
- Working temperature: -30° to +60°C

MAIN FEATURES

- Easily mountable
- Bus powered



BSI-TEMANA_x-U

- Temperature range: -40° to +60°C
- BSI-TEMANA-U is delivered with a M12 plug
- BSI-TEMANAB-U is delivered with 2 m cable

MAIN FEATURES

- Easily mountable
- Bus powered



SHSU....D SHSU....L SHSU....

- Room sensors for CO₂, temperature and humidity measurement
- Available with display, RGB LED or neutral
- Temperature range: -20°C to +50°C
- Humidity range: 0 to 100 %RH
- CO₂ range: 0 to 2000 ppm

MAIN FEATURES

- Easily mountable
- Bus powered
- Low current consumption

Environmental sensors	Environmental sensors	Environmental sensors	Environmental sensors
-----------------------	-----------------------	-----------------------	-----------------------



ESCO2THW_xVDM

- Wall mounting
- CO₂ 2000 ppm or 5000 ppm
- 0 to 50°C, 0 to 100% RH
- LCD display
- Modbus communication and analog output

MAIN FEATURES

- Compact housing measuring 3 parameters
- Software for easy setting and monitoring
- Ideal for building installation



ESTHW50_x

- Wall mounting
- Temperature and humidity 2 in 1
- 0 to 50°C, 0 to 95% RH
- 0 to 10 V or 4-20 mA output
- Dimensions 85x85x30 mm only

MAIN FEATURES

- Compact housing measuring 2 parameters
- Simple to install and use
- Ideal for building installation



ESTHD50_xM

- Duct mounting
- Temperature and humidity 2 in 1
- -40 to 100°C, 0 to 100% RH
- 0 to 10V or 4-20mA output
- Modbus communication and analog output

MAIN FEATURES

- Compact housing measuring 2 parameters
- Ideal for HVAC duct installation
- Software for easy setting and monitoring
- Temperature and dew point version also available



ESCO

- Wall or duct mounting
- CO 300 ppm or 500 ppm
- High accuracy CO electrochemistry sensor
- 0 to 10V or 4-20mA output
- Modbus communication and analog output

MAIN FEATURES

- Compact housing with electrochemistry sensor
- CO sensor ideal for car park installations
- Software for easy setting and monitoring

Building Automation

Our product range

45° ultrasonic sensors



SBPSUSL45

- Ultrasonic sensor with 45° detection angle
- Built-in bright RGB LEDs with 360° indication
- Base holders for cable tray, ceiling and pipe mounting
- Dupline® 3-wire bus-powered
- Dimensions: Ø 116 x 76 mm

MAIN FEATURES

- Sensor and indicator in one unit
- Mounting at space entry to achieve optimum visibility
- Highbright multi-colour RGB LED's

Vertical ultrasonic sensors



SBPSUSL

- Vertical sensor to be mounted directly above the car
- Built-in bright RGB LEDs with 360° indication
- Base holders for cable tray, ceiling and pipe mounting
- Dupline® 3-wire bus-powered
- Dimensions: Ø 116 x 76 mm

MAIN FEATURES

- Wide tolerance for mounting position
- Mounting on cable tray, ceiling or pipe
- Operates with external RGB LED indicator

Vertical ultrasonic counting sensors



SBPSUSCNT

- Vertical sensor to be mounted in the driving lane for counting
- Fast reaction time to detect moving cars up to 20 km/h
- Base holders for cable tray, ceiling and pipe mounting
- Dupline® 3-wire bus-powered
- Dimensions: Ø 116 x 76 mm

MAIN FEATURES

- Detection of moving cars up to 20 km/h speed
- Mounting on cable tray, ceiling or pipe
- Easy installation and commissioning

360° LED indicators



SBPILED

- LED indicator to be mounted outside the parking space
- Multi-colour bright RGB LEDs with 360° indication
- Base holders for cable tray, ceiling and pipe mounting
- Dupline® 3-wire bus-powered
- Dimensions: Ø 116 x 76 mm

MAIN FEATURES

- High visibility of bright multi-colour RGB LED's
- 360° visibility
- Mounting on cable tray, ceiling or pipe

Sensors base holders



SBPBASEA / SBPBASEB

- Base holders for Carpark sensors and LED indicators
- To be mounted on rail, ceiling or pipe/tube/conduit
- Dimensions: Ø 116 x 24 mm (type A) / Ø 116 x 44 mm (type B)
- Wire terminals built into base holder for easy change of sensor
- On-board address chip with SIN code

MAIN FEATURES

- Flexible mounting options for rail, ceiling or pipe/tube/conduit
- Spring terminals and chip with SIN-address integrated
- Rugged and robust housing

Carpark master generator



SBP2MCG324

- Generator of power and Dupline® bus communication on 3 wire
- Connected as a slave to the Carpark controller SBP2WEB24
- Connects up to 90 Carpark sensors via Dupline® 3-wire bus
- Powered from 28 VDC
- Dimensions: 2-DIN module

MAIN FEATURES

- Provides sensors and indicators with power and communication
- Provides power and communication for up to 90 ultrasonic sensors
- Compact DIN-rail housing

Carpark controller



SBP2WEB24

- Parking guidance, carpark management and smart building controls in one unit
- Seamless integration with BMS through BACnet/IP
- Built-in webserver with user interface for carpark management software
- Powered from 24 VDC
- Dimension: 2-DIN module

MAIN FEATURES

- Integrated parking guidance, carpark management and energy savings
- Easy and fast commissioning through central PC-based tool

Carpark server



SBP2CPY24

- Carpark server with capability of linking up to 10 SBP2WEB24 together
- Built-in webserver with user interface for carpark management software
- Data export in excel format
- Powered from 24 VDC
- Dimension: 2-DIN module

MAIN FEATURES

- Enables parking guidance solutions for very large carparks
- Built-in webserver with user interface for carpark management software
- Easy and fast commissioning through central PC-based tool

Our product range

Carpark display interface	Carpark displays with symbols+digits	Carpark displays with digits	Carpark displays with digits
---------------------------	--------------------------------------	------------------------------	------------------------------



SBP2DI48524

- Interface between the Dupline® bus and display
- Modbus RS485 serial connection to the display
- LEDs for indication of communication status
- Powered from 24 VDC
- Dimension: 2-DIN module

MAIN FEATURES

- Provides link between the Dupline® bus and display
- Compact 2-DIN housing suitable for decentral installation
- Easy and fast commissioning through central PC-based tool



SBPDISxxxx

- Displays with green arrow/red cross for guiding the drivers
- Available with 0-3 digits for vacant space number indication
- Optional blue sign for disabled parking
- Automatic brightness control for high visibility
- Powered from 24 VDC

MAIN FEATURES

- High visibility from more than 50m of distance
- Automatic adjustment of brightness according to surroundings lux level
- Indoor and outdoor use



SBPDISx

- Displays with 2 to 4 digits to show number of vacant spaces for an area
- Bright white LED digits
- Same display for indoor/outdoor
- Automatic brightness control for high visibility
- Powered from 24 VDC

MAIN FEATURES

- High visibility from more than 50 m of distance
- Automatic adjustment of brightness according to surroundings lux level
- Indoor and outdoor use



SBPDIS9

- Display with 9 character matrix with clear white LEDs
- Automatic brightness control for high visibility
- Dimensions: 215 x 950 x 45 mm
- Powered from 24 VDC

MAIN FEATURES

- Combines text and digits
- High visibility from more than 50 m of distance
- Automatic adjustment of brightness according to surroundings lux level
- Indoor and outdoor use

USB dongle connection modules	Web server and data logger	Embedded aggregation server	Cloud multi-site aggregation server
-------------------------------	----------------------------	-----------------------------	-------------------------------------



VMU-D

- 2 DIN modules
- Compatible with Carlo Gavazzi approved 3G/4G USB modems
- Power supply: 24 VDC (+/- 20%)
- Suitable for use with VMU-C and VMU-Y

MAIN FEATURES

- 3G or 4G Mobile Internet connectivity
- SMS alerting
- SMS commands



VMU-C EM

- Micro PC with Web-server and Web service capability
- Data and event logging capability
- Internal 4GB memory and 16GB SDHC card back-up memory
- Variables shown as graphs and numbers in formatted tables
- All data exports on HTML format compatible with Excel or other spread sheets
- Management up to 32 energy meters and 11 remote I/O module groups

MAIN FEATURES

- Energy analysis of each single load
- Energy bill evaluation
- Virtual main meter
- Alarms control with automatic e-mailing and SMS management



VMU-Y EM

- 2-DIN size; DIN-rail mounting
- Multi-site monitoring management
- Power supply 24 VDC (± 20%)
- 2 USB ports (data /connection backup)
- 1 SD port (backup)

MAIN FEATURES

- Load profile management
- Data analysis and benchmark
- Data and event logging
- Customizable graphical synoptic
- All data exported in format compatible with Excel or other spread sheets
- Tariffs, contracts, alarms management
- Database replication from up to 10 VMU-C EM



Em²-Server

- Software for energy data management
- Multi-site monitoring management
- Flexible and scalable architecture
- VMware® technology compatibility

MAIN FEATURES

- Load profile management
- Data analysis and benchmark
- Data and event logging
- Customizable graphical synoptic
- All data exported in format compatible with Excel or other spread sheets
- Tariffs and contract management
- Alarms management
- Database replication from up to 100 VMU-C EM

Building Automation

Our product range

1-phase energy meters up to 45A



EM110

- 1 DIN module
- Electromechanical totalizer
- Bi-directional energy metering, 7 digits cl. B (EN50470)
- Measuring inputs: 115/230 VAC, 45A

MAIN FEATURES

- Self-powered
- Pulse output
- Sealable terminal covers
- CE, MID (PFB)

1-phase energy analysers up to 45A



EM111

- 1 DIN module
- Backlit touch LCD
- Measurement of voltage, current, power, power factor and frequency
- Bi-directional energy metering, 7 digits cl. B (EN50470)
- Measuring inputs: 115/230 VAC, 45A

MAIN FEATURES

- Self-powered
- Dual tariff management
- Pulse output or RS485 Modbus or M-Bus port
- Sealable terminal covers
- CE, MID (PFA and PFB)

1-phase energy analysers up to 100A



EM112

- 2 DIN modules
- Backlit touch LCD
- Display backup by supercapacitor
- Measurement of voltage, current, power, power factor and frequency
- Bi-directional energy metering, 8 digits, cl. B (EN50470)
- Measuring inputs: 115/230 VAC, 100 A

MAIN FEATURES

- Self-powered
- Dual tariff management
- Pulse output or RS485 Modbus or M-Bus port
- Sealable terminal covers
- CE, MID (PFA and PFB)

3-phase energy analysers for direct current up to 65A



EM340

- 3 DIN modules
- Backlit touch LCD
- Measurement of voltage, current, power, power factor and frequency
- Bi-directional energy metering, 3x 8-digit, cl. B (EN50470)
- Measuring inputs: 230 to 400 VLL AC, 65A

MAIN FEATURES

- Self-powered
- Dual tariff management
- Pulse output or RS485 Modbus or M-Bus port
- Sealable terminal covers
- CE, MID (PFA and PFB)

3-phase energy analysers for 5A, CTV or ROG4K



EM210

- 4 DIN modules or 72 x 72 mm
- LCD with two installation options
- Measurement of voltage, current, power, power factor and frequency
- Bi-directional energy metering, 3 x 3-digit or 8-digit readout, cl. B (EN50470)
- Voltage inputs: 3x230(400) VAC; Current inputs: 5 A CT (AV version); miniature CTV or Rogowski ROG4K sensors (MV version)

MAIN FEATURES

- Self-power supply (230-400V aux power supply in MID version)
- Pulse output and optionally: RS485 Modbus RTU, high speed (up to 115 kbps)
- Sealable terminal covers
- CE, cULus, MID (only 5A, aux power supply version)

3-phase energy meters/analysers



EM24 DIN

- 4 DIN modules
- 3-phase energy meters with direct connection
- Current input up to 65 A or 5 A
- Class B (kWh) acc. to EN50470
- Pulse open collector output
- Modbus communication port
- M-bus or Dupline® port

MAIN FEATURES

- Direct measurement in a very compact housing to save space
- Suitable for measuring generated and consumed energy
- CE, MID, cULus (only EM24 5A)

3-phase energy analysers



EM26 96

- 96 x 96 mm housing, only 45 mm behind the panel
- 3-phase energy meters with CT/VT connection
- Primary current input: 5 A
- Class B (kWh) acc. to EN50470
- Pulse/alarm outputs
- Modbus communication port

MAIN FEATURES

- Energy analyser in a very compact housing to save space
- Suitable to measure generated and consumed energy
- CE, MID, cULus

3-phase power analysers



WM20

- 96 x 96 mm panel mounting housing
- Accuracy 0.2 % (voltage, current)
- Class 0.5S (kWh)
- Universal power supply
- Front protection degree IP65, NEMA4X, NEMA12
- cULus approved

MAIN FEATURES

- Provides installation data to a SCADA to manage the whole system
- Modular housing to build the instrument according to the real application needs
- Modbus, Ethernet, Profibus, BACnet (IP and MS/TP) communication ports

Our product range

3-phase power quality analysers



WM30 / WM40

- 96 x 96 mm panel mounting housing
- Accuracy 0.2 % (voltage, current)
- Class 0.5S (kWh)
- Universal power supply
- Front protection degree IP65, NEMA4X, NEMA12
- Optional analogue and digital outputs
- Optional analogue and digital inputs (WM40)
- cULus approved

MAIN FEATURES

- Built-in datalogger for instantaneous variables, dmd profiles and events (WM40)
- Modular housing to build the instrument according to the real application needs
- Modbus and BACnet (both RS485 or Ethernet), Profibus DPV0, and EtherNet/IP communication port available

Double 3-phase energy meters



EM270 + TCD X

- 4 DIN modules or 72 x 72 mm
- Triple 3-phase energy meter
- Current measurement by triple CT solid core with RJ plug
- Equivalent to class 1 (kWh)
- Two pulse open collectors and serial
- RS485 outputs

MAIN FEATURES

- Save 90% of the installation time
- Voltage and serial bus daisy chain installation
- Fast and error-proof CT connection with CT ratio self-recognising

Double 3-phase energy meters



EM271 + TCD M

- 4 DIN modules or 72 x 72 mm
- Triple 3-phase energy meter for retrofit
- Current measurement by triple CT split-core with RJ plug
- Equivalent to class 1 (kWh)
- Two pulse open collectors and serial
- RS485 outputs

MAIN FEATURES

- Save 90% of the installation time
- Voltage and serial bus daisy chain installation
- Fast and error-proof CT connection with CT ratio self-recognising

Quick-fit 3-phase energy analysers



EM280 + TCD06BX/BS

- 4 DIN modules or 72 x 72 mm
- 6-channel energy meter
- Current measurement by 6-channel CT blocks with RJ plugs: solid core (TCD06BX)
- Equivalent to class 1 (kWh)
- Two pulse open collectors and serial
- RS485 outputs

MAIN FEATURES

- Branch monitoring in new and retrofit applications, saving 90% of the installation time
- Voltage and serial bus daisy chain installation
- Fast and error-proof CT connection with CT ratio self-recognisation

Current transformers



CTD / TADK

- CTD: currents from 40 to 4000 A
- TADK2: 1-250 A
- Removable panel fixing clips
- DIN-rail and panel mounting facility (TAD...)
- Double screw terminals (CTD)
- Sealable covers
- Case: ABS, self-extinguishing level UL 94 V-0
- Accuracy class: 0.5

MAIN FEATURES

- Wound primary / solid core or split-core
- Compliance with IEC 60185, VDE 0414-1 regulations
- Removable DIN-rail mounting holder

Current sensors



CTV

- Split-core current sensors
- Primary currents: 60 to 800 A
- Secondary output: 0.333V AC
- Accuracy class: 1
- CE, cURus approved

MAIN FEATURES

- Very compact split-core sensors ideal for retrofit applications
- Suitable for use with EM210 MV energy analyser

Rogowski current sensors



ROG4K

- Rogowski coil current sensor
- Primary current up to 4000 A
- Direct connection of the secondary terminals to the meter
- Accuracy class: 1
- CE, cURus approved

MAIN FEATURES

- Ideal for retrofit applications
- Suitable for use with EM210 MV energy analyser
- Signal conditioning carried out by the meter
- No need of external power supply

AC Current transformers



E83

- Dimensions: 56 x 22.5 x 49 mm
- 7 input ranges
- Output 4-20 mA DC
- No power supply
- UL, CSA approved

MAIN FEATURES

- Easy interface to PLC
- Built in hall sensor for current sensing
- LED indication

Building Automation

Our product range

Power transducers



CPT DIN

- Dimensions: 83.5 x 45 x 98.5 mm DIN rail housing
- Accuracy 0.5 % (voltage, current)
- Measurement by CT and VT
- Front protection degree IP20
- Analogue, digital, pulse or serial outputs available

MAIN FEATURES

- Very compact size power transducer
- Provides electrical variables set to a PLC to manage compressors and other loads
- Suitable for on-board panel installation

Current monitoring relays



DIA53

- Dimensions: 81 x 17.5 x 67.2 mm DIN-rail housing with 12 mm hole for current measurement
- Current monitoring relay with built-in current transformer
- 20 A, 50 A or 100 A full scale
- Self powered
- UL - CSA - CCC approved

MAIN FEATURES

- Only 2 wires connection
- Adjustable current tripping setpoint
- Integrated solid state NPN PNP output

3-phase monitoring relays



DPA51 / DPA53

- Dimensions 81 x 17,5 x 67,2 mm DIN-rail housing
- Phase sequence and loss relay
- 3 phase AC (own power supply); regenerated voltage
- Power supply from 208 to 480 VAC
- Undervoltage detection
- CE, UL, CSA and CCC approved

MAIN FEATURES

- Compressor protection from reverse running and phase loss
- 17.5 mm width: the smallest in the market
- Plug and play: no settings needed

3-phase monitoring relays



DPB51

- Dimensions: 81 x 17,5 x 67,2 mm DIN- rail housing
- TRMS 3-phase over/under voltage, phase sequence and loss
- 3 phase AC (own power supply); regenerated voltage
- Power supply 208 to 480 VAC
- Undervoltage detection
- UL and CSA approved

MAIN FEATURES

- Compressors protection from reverse running and phase loss
- Detects L-L and L-N voltage
- Independent voltage setpoints and built-in delays

Current monitoring relays



DIA01

- Dimensions: 80 x 22.5 x 99.5 mm DIN-rail housing
- Current measurement by internal shunts or external CT
- 5 A full scale
- 24/48 VAC/DC or 115/230 VAC
- UL - CSA - CCC approved

MAIN FEATURES

- Latch and adjustable hysteresis
- Adjustable current tripping setpoint
- 8 A SPDT relay output

3-phase surge protection devices



DSF A/P

- Suitable for all single phase (A) and three phase (P) utilities
- Available for MCOV 300 V, 385 V, 460 V and 550 V
- 20 kA Inom, 40 kA I_{max} per pole
- Din rail mounting socket
- CE, UL and CSA. Category IEC / EN Class II / Type 2

MAIN FEATURES

- Optional remote monitoring contact
- Patented topology, no backup fuse required
- Socket with replaceable cartridge

3-phase surge protection devices



DSB A/P

- Suitable for all single phase (A) and three phase (P) utilities
- Available for 275V, 385V and 440V
- 20kA Inom, 40kA I_{max} per pole
- Din rail mounting socket
- CE, Category IEC / EN Class II / Type 2

MAIN FEATURES

- Optional remote monitoring contact
- 3 MOVs topology
- Socket with replaceable cartridge

Dupline® surge protection devices



DSB51XXDP

- Dimensions 90 x 12 x 71.5 mm DIN-rail housing
- 15Vdc nominal voltage
- 10kA Inom, 20kA I_{max}
- Rated spark overvoltage 184V to 276V
- C1/C2/C3 according to IEC 61643-21

MAIN FEATURES

- Designed for Dupline® communication lines
- Three stage topology with dual GDT
- Socket with replaceable cartridge

Our product range

3-phase scroll compressor soft starters



RSBT

- Self-learning algorithm for current reduction
- Operational current: 12 A up to 95 A
- 3-phase controlled & internally bypassed
- Operational voltage: 220 - 480 VAC, 50/60 Hz
- Approvals: cULus, CCC, VDE

MAIN FEATURES

- Plug and play: no user settings required
- Compact dimensions: 32 A in 45 mm and 95 A in 120 mm wide housing
- Serial communication: Modbus 2-wire (RS485)

3-phase scroll compressor soft starters



RSBD

- Self-learning algorithm for current reduction and current balancing
- Operational current: 12 A up to 95 A
- Operational voltage: 220 - 600 VAC, 50/60 Hz
- Alarm and top of ramp relay outputs
- Approvals: cULus, CCC

MAIN FEATURES

- Compact dimensions: 45 A in 45 mm and 95 A in 75 mm wide housing
- Plug and play: no user settings required
- Internally Bypassed

3-phase centrifugal pump soft starters



RSWT

- Operational current: 12 A up to 90 A
- 3-phase controlled & internally bypassed
- Ramp-up/Ramp-down time: up to 20 sec
- Operational voltage: 220 - 600 VAC, 50/60 Hz
- PTC input, Alarm - Top of Ramp - Run relay indication
- Approvals: cULus, CCC

MAIN FEATURES

- Easy to use and set up: only 3-user adjustments required
- Self-learning algorithm to improve pump starts/stops
- Integrated overload protection (Class 10)

22 kW compact motor soft starters



RSGD

- Operational voltage range: 187-440 VAC, 187-660 VAC
- Operational current range: 12 AAC up 100 AAC
- Control voltage: 24 VAC/DC, 110 - 400 VAC
- Auxiliary relays for top of ramp and alarms
- Serial communication (Modbus 2-wire) [RSGD 75mm models]
- Approvals: cULus, CCC, EAC

MAIN FEATURES

- Easy to use and set-up
- Self-learning algorithm to adapt to different loads

2-pole solid state relays



RK

- Dimensions 45 x 58 x 33 (44) mm, panel mounting
- Independent control (RK2..) or common control (RK2..)
- Ratings: up to 660 VAC, 50 AAC /pole, 75 AAC /pole
- Control input: 4-32 VDC
- CE - cULus - CSA - VDE

MAIN FEATURES

- Integrated output overvoltage protection
- Pre-attached thermal pad
- Conformant to EN 60335-1

1-phase solid state contactors



RGC1A

- Product width 17.5 mm up to 70 mm, DIN mount
- Rated operational voltage: up to 660 VAC
- Rated current: up to 85 AAC @ 40°C
- Control input: 4-32 VDC, 20-275 VAC (24-190 VDC)
- CE - cULus - VDE - GL (up to 30 AAC)

MAIN FEATURES

- Integrated heatsink
- 100 kA short circuit current rating
- Optional overtemperature protection

3-phase solid state contactors



RGC2A / RGC3A

- Product width 54 mm up to 70 mm, DIN mount
- Rated operational voltage: up to 660 VAC
- Rated current: up to 75 AAC/pole (RGC2A), 65 AAC/pole (RGC3A) @ 40°C
- Control input: 5-32 VDC, 20-275 VAC (24-190 VDC)
- CE - cULus

MAIN FEATURES

- Integrated output overvoltage protection
- Optional monitoring for SSR and load circuit malfunction (RGC..M)
- 100 kA short circuit current rating

1-phase proportional controllers



RGS1P / RGC1P

- Product width 35 mm up to 70 mm, DIN or Panel mounting
- Ratings: up to 660VAC, 90AAC, 18000A²s
- Control Input: 4-20mA, 0-10 VDC, 0-5 VDC, 1-5 VDC, external potentiometer
- LED indication for control and load status
- CE - cULus (RGC), cULus (RGS), CSA (RGS)

MAIN FEATURES

- Power control via a selectable switching mode (phase angle, full cycle, advance full cycle or soft start switching)
- Compact dimensions
- Reliability with integrated overvoltage protection

Building Automation

Our product range

3-phase proportional controllers



RGC2P / RGC3P

- Product width 54 mm up to 70 mm, DIN mount
- Rated operational voltage: 180 - 660 VAC
- Rated current: up to 75 AAC/pole (RGC2P), 65 AAC/pole (RGC3P) @ 40°C
- Control input: 0-20 mA, 4-20 mA, 12-20 mA, 0-10 V, 0-5 V, 1-5 V, external potentiometer
- CE - cULus

MAIN FEATURES

- Integrated output overvoltage protection
- Phase angle, Distributed full cycle or Soft start as switching modes
- Integrated monitoring for SSR and load circuit malfunction

Switching power supplies



SPD

- DIN rail housing
- 1-phase (5-480 W), 2-phase (100 W), 3-phase (120-960 W)
- Rated input voltage: 85-264 VAC (1-phase), 380-575 VAC (2-phase), 340-575 VAC / 480-820 VDC (3-phase)
- Approvals/Marks: UL, cUL listed and TÜV/CE approved

MAIN FEATURES

- Power Factor Correction (PFC)
- Parallel versions available
- High efficiency (up to 93%)

Switching power supplies



SPM

- DIN rail housing
- Universal input 90-264 VAC / 120-370 VDC
- Single phase and battery charger versions available
- Approvals/Marks: UL, cUL listed and TÜV/CE approved

MAIN FEATURES

- Operating temperature w/o derating -25°C to +60°C
- Short circuit and Overload protection
- High efficiency (up to 89%)

Switching power supplies



SPPC 150

- AC input selectable by switch
- Input voltage range: 88-132 VAC / 176-264 VAC
- Output protections: OLP / OVP / SCP
- Wide operating temperature (-25°C to 70°C)
- 105C long life electrolytic capacitors

MAIN FEATURES

- Competitive price and compact size
- DC output: 5, 12, 15, 24 and 48 V
- Good efficiency and high reliability

Switching power supplies with PFC



SPPC 150 F

- Universal input voltage range: 85-264 VAC / 120-370 VDC
- High reliability
- Output protections: OLP / OVP / SCP
- 105C long life electrolytic capacitors
- 100% full load burn-in test

MAIN FEATURES

- Built-in active PFC (Power Factor Correction) function: PF > 0.98 @ 115 VAC and PF > 0.95 @ 230 VAC
- Competitive price and compact size
- DC output: 5, 12, 15, 24 and 48 V
- High efficiency (typ): 82% - 87%

UPS controllers



SPUC

- Up to 30 A UPS controller
- 12 V and 24 V versions
- Outputs for Device OK, Battery OK and battery Low.
- DIN rail battery accessory available up to 7.2 A/h
- CE and UL approved

MAIN FEATURES

- To be used in addition with 12 or 24 V power supply
- Front 30 A replaceable fuse
- Plug and play: no settings needed

Smart UPS



SPUBC

- Power supply, UPS and battery charger "All in one"
- 24 VDC 5 A output
- Power boost up to 2 times rated output, permanent.
- Built in battery diagnosis
- CE and UL approved

MAIN FEATURES

- Power supply independent from charger.
- Remote indication for battery operation and battery low
- "Start from battery" and "Empty battery charging" features

OUR SALES NETWORK IN EUROPE

AUSTRIA

Carlo Gavazzi GmbH
Ketzergasse 374,
A-1230 Wien
Tel: +43 1 888 4112
Fax: +43 1 889 10 53
office@carlogavazzi.at

BELGIUM

Carlo Gavazzi NV/SA
Mechelsesteenweg 311,
B-1800 Vilvoorde
Tel: +32 2 257 4120
Fax: +32 2 257 41 25
sales@carlogavazzi.be

DENMARK

Carlo Gavazzi Handel A/S
Over Hadstenvej 40,
DK-8370 Hadsten
Tel: +45 89 60 6100
Fax: +45 86 98 15 30
handel@gavazzi.dk

FINLAND

Carlo Gavazzi OY AB
Ahventie, 4 B
FI-02170 Espoo
Tel: +358 9 756 2000
Fax: +358 9 756 20010
myynti@gavazzi.fi

FRANCE

Carlo Gavazzi Sarl
Zac de Paris Nord II, 69, rue de la Belle Etoile,
F-95956 Roissy CDG Cedex
Tel: +33 1 49 38 98 60
Fax: +33 1 48 63 27 43
french.team@carlogavazzi.fr

GERMANY

Carlo Gavazzi GmbH
Pfnorstr. 10-14
D-64293 Darmstadt
Tel: +49 6151 81000
Fax: +49 6151 81 00 40
info@gavazzi.de

GREAT BRITAIN

Carlo Gavazzi UK Ltd
4.4 Frimley Business Park,
Frimley, Camberley, Surrey GU16 7SG
Tel: +44 1 276 854 110
Fax: +44 1 276 682 140
sales@carlogavazzi.co.uk

ITALY

Carlo Gavazzi SpA
Via Milano 13,
I-20020 Lainate
Tel: +39 02 931 761
Fax: +39 02 931 763 01
info@gavazziacbu.it

NETHERLANDS

Carlo Gavazzi BV
Wijkermeerweg 23,
NL-1948 NT Beverwijk
Tel: +31 251 22 9345
Fax: +31 251 22 60 55
info@carlogavazzi.nl

NORWAY

Carlo Gavazzi AS
Melkeveien 13,
N-3919 Porsgrunn
Tel: +47 35 93 0800
Fax: +47 35 93 08 01
post@gavazzi.no

PORTUGAL

Carlo Gavazzi Lda
Rua dos Jerónimos 38-B,
P-1400-212 Lisboa
Tel: +351 21 361 7060
Fax: +351 21 362 13 73
carlogavazzi@carlogavazzi.pt

SPAIN

Carlo Gavazzi SA
Avda. Iparraguirre, 80-82,
E-48940 Leioa (Bizkaia)
Tel: +34 94 480 4037
Fax: +34 94 431 6081
gavazzi@gavazzi.es

SWEDEN

Carlo Gavazzi AB
V:a Kyrkogatan 1,
S-652 24 Karlstad
Tel: +46 54 85 1125
Fax: +46 54 85 11 77
info@carlogavazzi.se

SWITZERLAND

Carlo Gavazzi AG
Verkauf Schweiz/Vente Suisse
Sumpfstrasse 3,
CH-6312 Steinhausen
Tel: +41 41 747 4535
Fax: +41 41 740 45 40
info@carlogavazzi.ch

OUR SALES NETWORK IN THE AMERICAS

USA

Carlo Gavazzi Inc.
750 Hastings Lane,
Buffalo Grove, IL 60089, USA
Tel: +1 847 465 6100
Fax: +1 847 465 7373
sales@carlogavazzi.com

CANADA

Carlo Gavazzi Inc.
2660 Meadowvale Boulevard,
Mississauga, ON L5N 6M6, Canada
Tel: +1 905 542 0979
Fax: +1 905 542 22 48
gavazzi@carlogavazzi.com

MEXICO

Carlo Gavazzi Mexico S.A. de C.V.
Calle La Montaña no. 28, Fracc. Los Pastores
Nauclan de Juárez, EDOMEX CP 53340
Tel & Fax: +52.55.5373.7042
mexicosales@carlogavazzi.com

BRAZIL

Carlo Gavazzi Automação Ltda.Av.
Francisco Matarazzo, 1752
Conj 2108 - Barra Funda - São Paulo/SP
Tel: +55 11 3052 0832
Fax: +55 11 3057 1753
info@carlogavazzi.com.br

OUR SALES NETWORK IN ASIA AND PACIFIC

SINGAPORE

Carlo Gavazzi Automation Singapore Pte. Ltd.
61 Tai Seng Avenue #05-06
Print Media Hub @ Paya Lebar iPark
Singapore 534167
Tel: +65 67 466 990
Fax: +65 67 461 980
info@carlogavazzi.com.sg

MALAYSIA

Carlo Gavazzi Automation (M) SDN. BHD.
D12-06-G, Block D12,
Pusat Perdagangan Dana 1,
Jalan PJU 1A/46, 47301 Petaling Jaya,
Selangor, Malaysia.
Tel: +60 3 7842 7299
Fax: +60 3 7842 7399
sales@gavazzi-asia.com

CHINA

Carlo Gavazzi Automation
(China) Co. Ltd.
Unit 2308, 23/F.,
News Building, Block 1, 1002
Middle Shennan Zhong Road,
Shenzhen, China
Tel: +86 755 83699500
Fax: +86 755 83699300
sales@carlogavazzi.cn

HONG KONG

Carlo Gavazzi Automation
Hong Kong Ltd.
Unit 3 12/F Crown Industrial Bldg.,
106 How Ming St., Kwun Tong,
Kowloon, Hong Kong
Tel: +852 23041228
Fax: +852 23443689

OUR COMPETENCE CENTRES AND PRODUCTION SITES

DENMARK

Carlo Gavazzi Industri A/S
Hadsten

MALTA

Carlo Gavazzi Ltd
Zejtun

ITALY

Carlo Gavazzi Controls SpA
Belluno

LITHUANIA

Uab Carlo Gavazzi Industri Kaunas
Kaunas

CHINA

Carlo Gavazzi Automation (Kunshan) Co., Ltd.
Kunshan

HEADQUARTERS

Carlo Gavazzi Automation SpA
Via Milano, 13
I-20020 - Lainate (MI) - ITALY
Tel: +39 02 931 761
info@gavazziautomation.com



CARLO GAVAZZI
Automation Components

Energy to Components!

www.gavazziautomation.com

