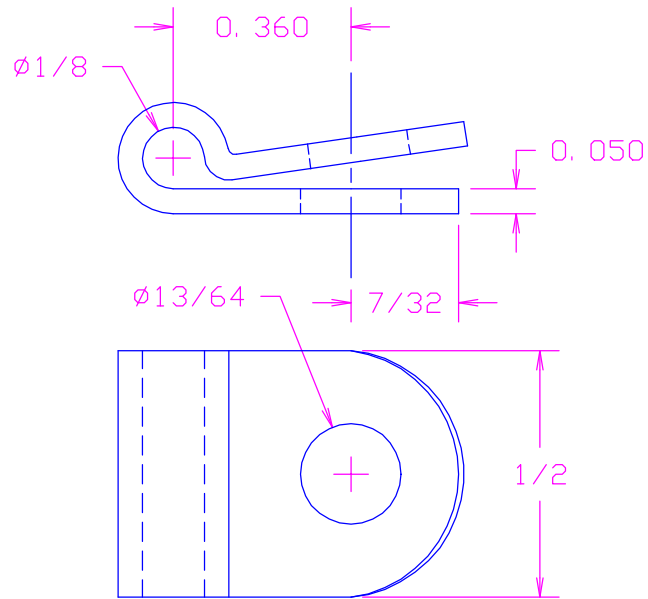
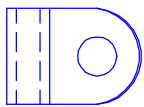


DATE	SYM	REVISION RECORD	AUTH.	DR.	CK.
1/9/03	-	ISSUED	JL	NT	JL



MATERIAL: POLYPROPYLENE

ACTUAL SIZE



TOLERANCES (EXCEPT AS NOTED)	CONCORD		ELECTRONICS CORPORATION
DECIMAL + -	P/N	SCALE	30 GREAT JONES ST. NEW YORK N. Y. 10012
FRACTIONAL + -	TITLE CABLE CLAMP		
ANGULAR + -	DATE	DRAWING NUMBER	770-1001