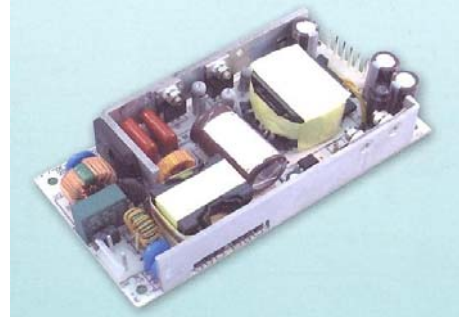


FEATURES

SP120 Series 120W Open Frame Power Supply

12VDC to 48VDC Output
Active Power Factor Correction
High Efficiency Up to 87% - EPS 2.0/CEC V
Convection Cooled
Very Low Profile (0.79in - 20mm)
Up to 70°C Ambient Temperature Operation
UL cUL, CB & TUV (EN60950) Safety Approval
FCC & CISPR Class B
CE Mark (LVD)
Available in 2.5 x 5in. (N) and 3 x 5in. Form Factors
Constant Current (C) Model Availalbe
NTC Transformer Winding (T) OTP Option



SPECIFICATION

Model		SP120-S2-xx	SP120-S3-xx	SP120-SK-xx*	SP120-S4-xx	SP120-SR-xx*	SP120-S6-xx	SP120-S5-xx
Output	DC Voltage	12V	15V	20V	24V	30V	36V	48V
	Current Range (Rated)	0 ~ 8.4A	0 ~ 8A	0 ~ 6A	0 ~ 5A	0 ~ 4A	0 ~ 3.3A	0 ~ 2.4A
	Peak	12.6A	12A	9A	7.5A	6A	5A	3.6A
	Constant Current	10A	9.6A	7.2A	6A	4.8A	4A	2.9A
	Rated Power	100W	120W	120W	120W	120W	120W	120W
	Ripple & Noise (max.) (1)	1% Pk to Pk						
	Voltage Tolerance (2)	±3%						
	Line Regulation (3)	±0.5%						
	Load Regulation (4)	±2%						
	Setup, Rise Time 115VAC	3S						
Hold-up Time	16mS typ. At full load 115/230 VAC							
Input	Voltage Range	90V ~ 264VAC						
	Frequency Range	47Hz / 63Hz						
	Efficiency (Typ. @ 115V AC)	85%	85%	87%	87%	87%	87%	87%
	No-Load Power Consumption	<0.5W @ 240VAC						
	AC Current (max.)	2.0A @ 115VAC						
Inrush Current (max.)	Will not exceed 80A / 240VAC, Cold Start, 25°C							
Protections	Short Circuit Protection	Protection type : Current Fold-back, recovers automatically after fault condition is removed						
	Over Load	130-180%CV 110-130%CC rated output power						
	Over Voltage	130% ~ 160% rated output voltage						
Environmental	Temperature Range	Operational	0°C ~ 70°C Derate 2.5% power to each °C over 50°C					
		Storage	-40°C to +85°C					
	Working Humidity	Operational	5 ~ 95% RH non-condensing					
	Temp.Coefficient	±0.01%/°C typical on all outputs						
	Shock	Operating half sine 20Gpk / max 3 axis 10mS 6 shocks total						
Vibration	Random Operating 2.4 Grms / max. 3 axis 50-500Hz 10min / axis							
Safety & EMC	Safety Standards	UL/cUL (60950-1:2001) , TUV and CB * Pending on SR and SK models						
	Withstand Voltage	I/P - O/P: 3KVAC (4242 DC), 10mA for 1 minute						
	EMI Conducted & Radiated	EN55022 , FCC/CISPR Class B						
	EMS Immunity	EN61204, EN61000-3-2, EN61000-3-3						
Other	MTBF	>100,000 hrs @ 25°C and full load based on MIL-HDBK-217F						
	Dimension (L*W*H)	Standard 127*76.2*20(mm) - 5.0*3.0*0.79 (inch) / Narrow 127*63.5*20(mm) - 5.0*2.5*0.79 (inch)						
	Weight	230g						



Part Number Builder:

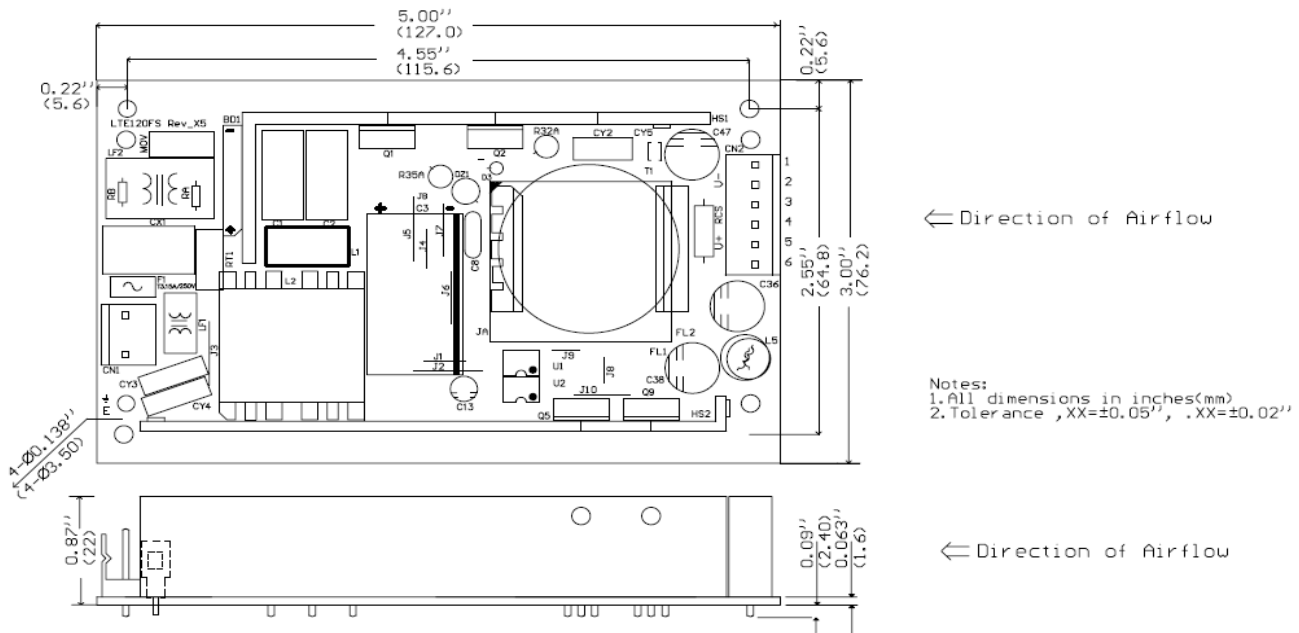
SP120-xxx-XYZ

X= T for NTC winding on transformer - If Needed or Blank

Y= C for Constant Current Option - If Needed or Blank

Z= N for Narrow Form Factor Option - If Needed or Blank

Mechanical Specification



PIN ASSIGNMENT		
	CN1	CN2
	Input	Output
PIN 1	LINE	RETURN
PIN 2	N.C.	RETURN
PIN 3	NEUTRAL	RETURN
PIN 4		+V
PIN 5		+V
PIN 6		+V
CONNECTOR	Pontronics M3961W-03(PIN2 NC) or Equivalent.	Pontronics M3961W-06 or Equivalent.

SHIPPING SPECIFICATIONS			
SERIES	UNITS PER CARTON	CARTON WEIGHT	
SP120	30.0	10.2 Kgs	22.5 Lbs

NOTES:

1. Ripple & noise are measured at 20MHz of bandwidth by using a 12" twisted pair-wire terminated with a 0.1uf & 47uf parallel capacitor.
2. Tolerance: includes set up tolerance, line regulation and load regulation.
3. Line regulation is measured from low line to high line at rated load.
4. Load regulation is measured from 0% to 100% rated load.

Specification subject to change without notice.