

1

2

3

4

5

6

7

A

B

C

D

E

F

A

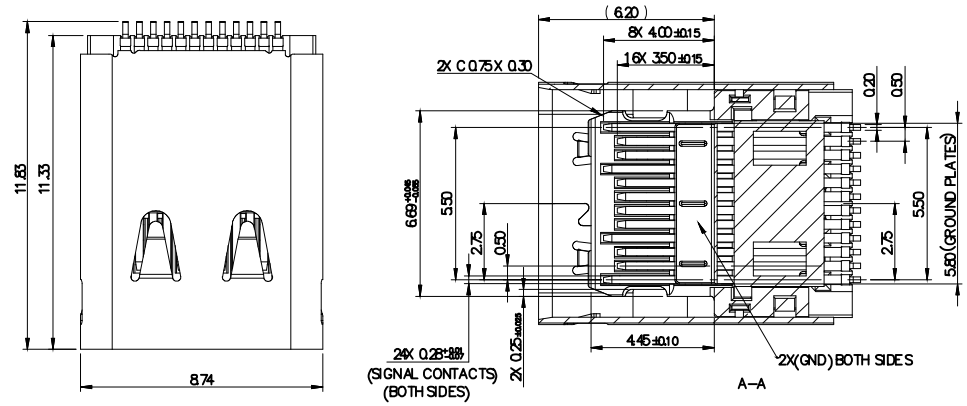
B

C

D

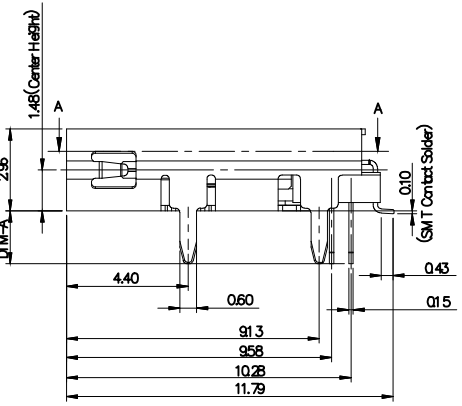
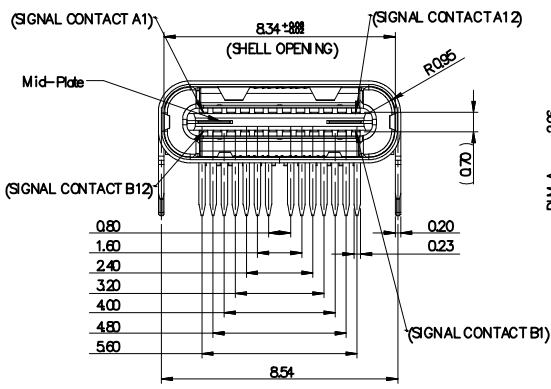
E

F



Notes:

SPECIFICATION
MATERIAL
 ② Insulator: Thermoplastic, Black, UL94V-0
 Contacts: BRASS
 Shell: Stainless Steel
CONTACT PLATING
 Underplate: 80u"~160u" Nickel
 Contact area: 30u" Pd-Ni+2u" Selective gold,
 Solder tails area: 100u"~200u" Tin (Lead Free)
ELECTRICAL
 Operation voltage: 20 V
 Current rating: 5 Amps max.
 Insulation resistance: 100 Mohms min @ 100 VDC
 Dielectric withstanding voltage: 100 VAC / minute
 Temperature range: -40°C TO +105°C



④ **MECHANICAL**
 Mating cycles: 10,000 insertions
 Insertion force: min. 5N to max. 20N
 Extraction force: min. 6N to max. 20N after 10,000 cycles
 Contact Resistance (EIA 364-23B): 40 mΩ (Max) initial for V_{bus}, GND and all other contacts.
 ③ AUSB1-DFN-PTP3: Tray
 AUSB1-DFN-PTR3: Tape & Reel, 700Pcs/Reel

RoHS compliant
Unit: mm

Scale	Free						Date	Name	Customer-No.
TOLERANCE		④	Update mechanical character	08.10.2018	Xavier	Drawn	30.10.2014	Winnie	ASSMANN WSW-No. AUSB1-DFN-PTx3
X.	±0.50	③	Change the packing quantities	21.09.2017	Fred	Approved	21.09.2017	Winnie	
X.X	±0.30	②	Add flammability class of the insulator	18.04.2017	Winnie				
X.XX	±0.20	①	Add the detail packing quantities	22.04.2016	Winnie	ASSMANN WSW components	Drawing-No.		ASS 7048 CO rev04
DIM	TOL	①	Drawn	30.10.2015	Winnie		Replace		
X.°	±2°	①	Id.	Modification	Date	Name	Sheet 1/3		
Angle	TOL								

1

2

3

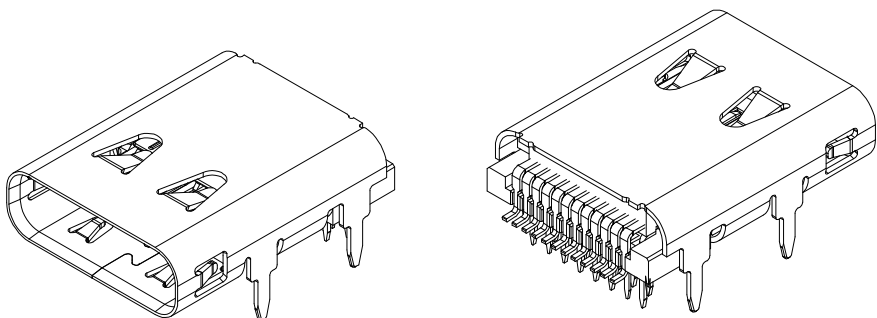
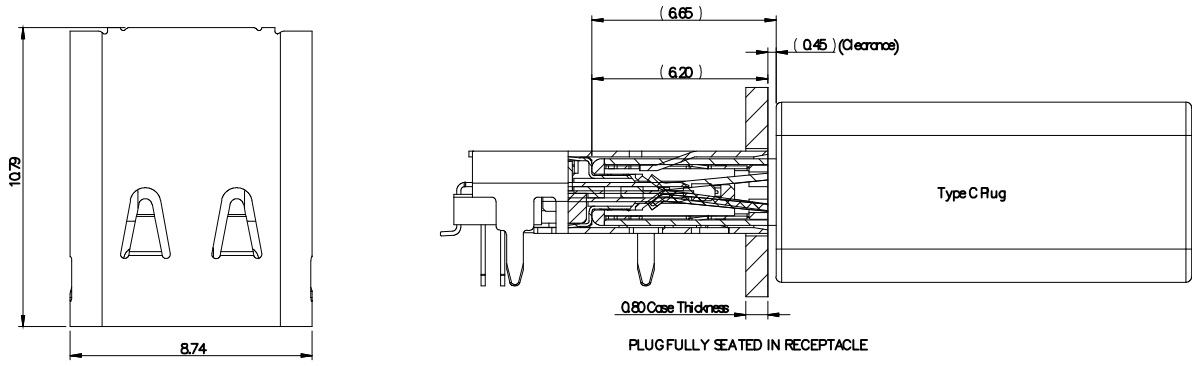
4

5

6

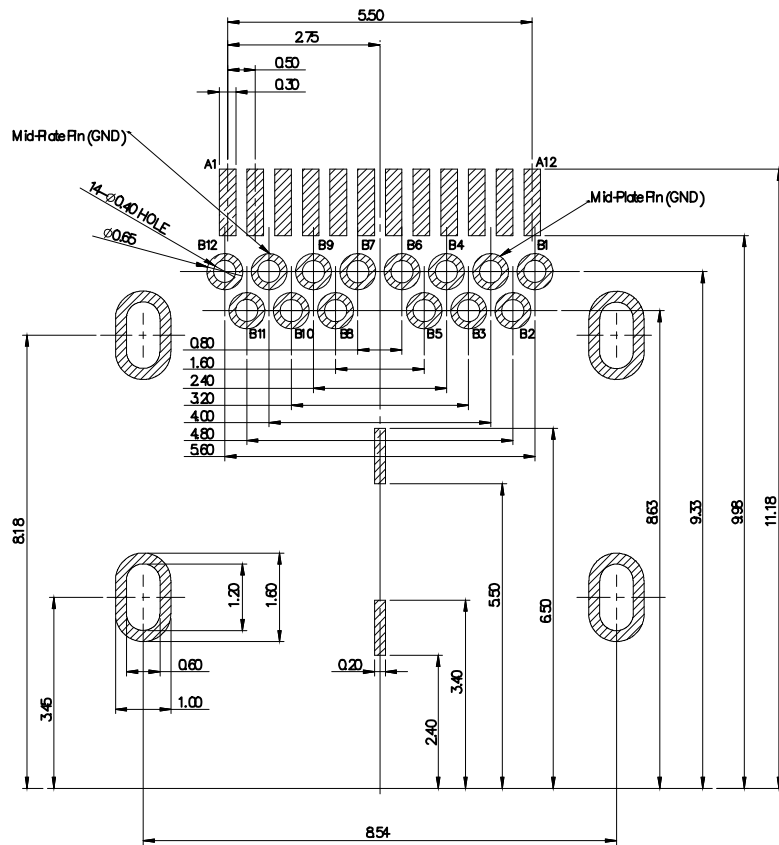
7

SV3725
CON0735



RoHS compliant
Unit: mm

Scale	Free						Date	Name	Customer-No.
TOLERANCE									
X.	±0.50	④	Update mechanical character	08.10.2018	Xavier	Drawn	30.10.2014	Winnie	ASSMANN WSW-No. AUSB1-DFN-PTx3
X.X	±0.30	③	Change the packing quantities	21.09.2017	Fred	Approved	21.09.2017	Winnie	
X.XX	±0.20	②	Add flammability class of the insulator	18.04.2017	Winnie				
DIM	TOL	①	Add the detail packing quantities	22.04.2016	Winnie				Drawing-No.
X.°	±2°	①	Drawn	30.10.2015	Winnie				ASS 7048 CO
Angle	TOL	Id.	Modification	Date	Name	Replace		Sheet 2/3	



USB TYPE -C Pin Assignments

FnNurber	Signal Name	Pin Number	Signal Name
A1	GND	B1 2	GND
A2	SSTXp1	B1 1	SSRXp1
A3	SSTXn1	B1 0	SSRXn1
A4	VBUS	B9	VBUS
A5	CC1	B8	SBU2
A6	Dp1	B7	Dn2
A7	Dn1	B6	Dp2
A8	SBU1	B5	CC2
A9	VBUS	B4	VBUS
A1 0	SSRXn2	B3	SSTXn2
A1 1	SSRXp2	B2	SSTXp2
A1 2	GND	B1	GND

Recommended PCB Layout
 Tolerance ± 0.05
 PCB Thickness=1.00 For Dim-A 1.50 solder Tail

RoHS compliant
 Unit: mm

Scale	Free					Date	Name	Customer-No.
TOLERANCE		④	Update mechanical character	08.10.2018	Xavier	Drawn	30.10.2014	Winnie
X.	± 0.50	③	Change the packing quantities	21.09.2017	Fred	Approved	21.09.2017	Winnie
X.X	± 0.30	②	Add flammability class of the insulator	18.04.2017	Winnie			
X.XX	± 0.20	①	Add the detail packing quantities	22.04.2016	Winnie			
DIM	TOL	①	Drawn	30.10.2015	Winnie			
X.°	$\pm 2^\circ$	①	Id.	Modification	Date	Name		
Angle	TOL							

ASSMANN WSW-No.
AUSB1-DFN-PTx3

Drawing-No.
ASS 7048 CO rev04



Replace Sheet 3/3