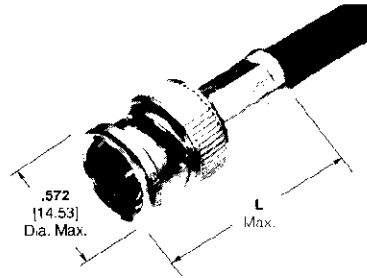


BNC Connectors, 75 Ohm

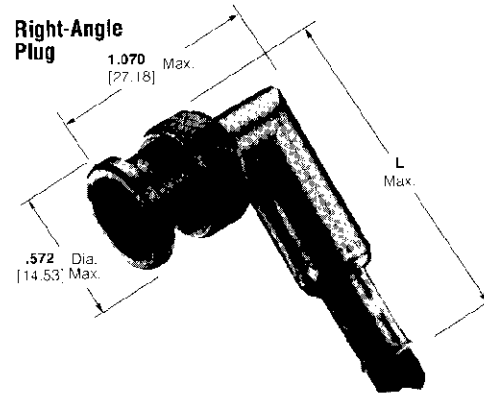
Plugs and Right-Angle Plugs, Crimp

These connectors have been designed for optimum performance and have a true 75 ohm impedance the complete length of the connector. The crimp die tooling listed below is different from the equivalent 50 ohm connectors.

Plug



Right-Angle Plug



Plugs

Connector Cable Range Selection Code†	RG/U Cable	Termination Type	Center Contact Plating	Body Plating	Dielectric	Style	M39012/ Military No. and/or Comments	Part No.	Dim. L	CERTI-CRIMP Hand Tool with Integral Die	Interchangeable Dies for PRO-CRIMPER Hand Tool 354940-1 or PRO-CRIMPER Adapter 678304-1	Interchangeable Dies for Hand Tool 69710-1 & 626 Pneu. Head 318161-1
B1	179, 179A, 179B, 187, 187A, 161, Belden 9221	Hex Crimp	Gold	Nickel	Polyethylene	Commercial	—	413589-8	1.160 29.46	—	58425-2	—
		Dual Crimp	Gold	Nickel	Polyethylene	Commercial	—	221185-8	1.140 35.56	—	318451-2	—
B4	AT&T 735A	Hex Crimp	Gold	Nickel	Polyethylene	Commercial	—	1-413589-0	1.160 29.46	—	58425-2	—
		Dual Crimp	Gold	Nickel	Polyethylene	Commercial	—	1-221185-8	1.090 27.69	—	58774-1	58248-3
B5	AT&T KS 19224 L2 30179 Double Braid	Hex Crimp	Gold	Nickel	Polyethylene	Commercial	—	413589-4	1.160 29.46	—	58425-2	—
		Hex Crimp	Gold	Nickel	Polyethylene	Commercial	—	413589-3	1.160 29.46	—	58425-2	—
C3	Belden 8218	Hex Crimp	Gold	Nickel	Polyethylene	Commercial	—	413589-3	1.160 29.46	—	58425-2	—
		Dual Crimp	Gold	Nickel	Polyethylene	Commercial	—	221185-3	1.090 27.69	—	58174-1	53248-3
C	140, 210, 62, 62A, 62B, 59, 55A, 59B, Belden 9291, 9209, 9269	Hex Crimp	Gold	Nickel	Polyethylene	Commercial	—	413589-2	1.160 29.46	—	58425-1	—
		Dual Crimp	Gold	Nickel	Polyethylene	Commercial	—	221185-2	1.090 27.69	—	58536-1	58248-2
G1	302, Belden 89269, 88241 Hi-Temp 62A, Times PL-62, Berk Tek BTDC-59, BTDC-62	Hex Crimp	Gold	Nickel	Polyethylene	Commercial	—	413589-1	1.160 29.46	—	58425-1	—
G4	Belden 8212, 9104, 9112, 9167, 9210, 9259, 9266, Times FM-59, (RG-59 Type with 20 AWG C.C.)	Hex Crimp	Gold	Nickel	Polyethylene	Commercial	—	413589-9	1.160 29.46	—	50425-1	—
		Dual Crimp	Gold	Nickel	Polyethylene	Commercial	—	221185-9	1.090 27.69	—	58536-1	58248-2
G5	Belcor 9145 AT&T 731A	Hex Crimp	Gold	Nickel	Polyethylene	Commercial	—	413589-7	1.160 29.46	—	58425-1	—
		Dual Crimp	Gold	Nickel	Polyethylene	Commercial	—	1-221185-0	1.090 27.69	—	58536-1	—
J1	Belden 9248, 9114	Dual Crimp	Gold	Nickel	Polyethylene	Commercial	—	221185-1	1.010 25.65	—	58536-1	—
K	6, 6A	Dual Crimp	Gold	Nickel	Polyethylene	Commercial	—	221185-7	1.490 37.85	—	58538-1	58248-1
K2	Belden 8281, 9141, 9231, Western Electric 724, 728, 3049	Hex Crimp	Gold	Nickel	Polyethylene	Commercial	—	413589-5	1.160 29.46	—	58425-3	—
		Dual Crimp	Gold	Nickel	Polyethylene	Commercial	—	221185-5	1.120 28.45	—	58538-1	58248-1
R	Comm/Scope 559 Hec	Dual Crimp	Gold	Nickel	Polyethylene	Commercial	—	2-221185-9	1.140 28.96	—	58536-1	—
S	Comm/Scope FS11lec-z	Dual Crimp	Gold	Nickel	Polyethylene	Commercial	—	3-221185-1	1.140 28.96	—	58536-1	—
K2	Belden 88281	Dual Crimp	Gold	Nickel	Polyethylene	Commercial	—	3-221185-3	1.090 27.69	—	58538-1	—

BNC Connectors

For drawings, technical data or samples, contact your AMP sales engineer or call the AMP Product Information Center 1-800-522-6752. Dimensions are in inches and millimeters unless otherwise specified. Values in brackets are metric equivalents. Specifications subject to change. Consult AMP Incorporated for latest specifications.