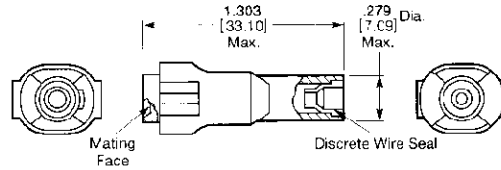


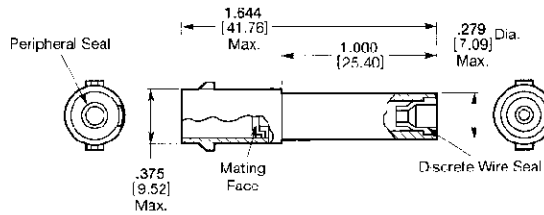
## Free-Hanging Connectors

### Single Circuit Housings

#### Plug

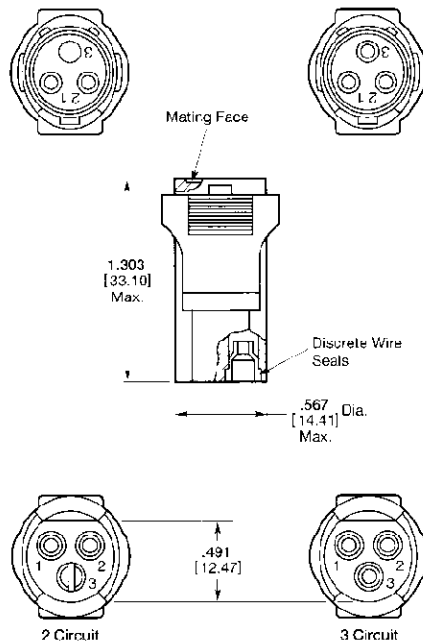


#### Receptacle

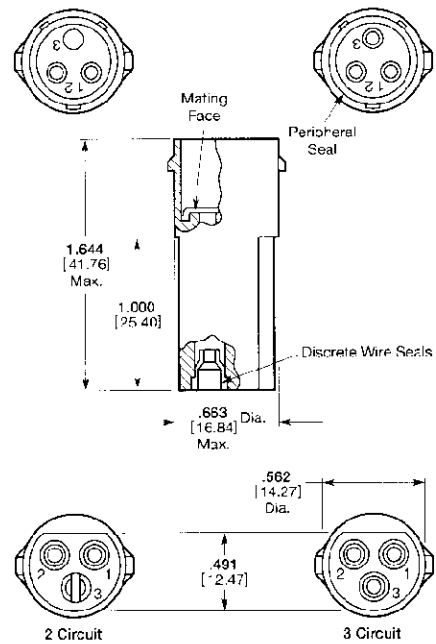


### 2- and 3-Circuit Housings

#### Plug



#### Receptacle



#### Notes:

- Housing material is black thermo-plastic.
- Plugs accept socket contacts; receptacles accept pin contacts: Type III and VI Multimate contacts (page 9) and subminiature coaxial contacts (page 10). All contacts must be purchased separately.
- Discrete wire seals are factory installed, but can be replaced. Use Part No. 207565-2 when ordering individual discrete wire seals.

No. of Positions	Plug Part No.	Receptacle Part No.	Plug Also Mates with Flanged Receptacle Part No.
1	207901-1	207902-1	207982-1 (page 7)
2	207845-1	207846-1	207853-1 (page 7)
3	207567-1	207563-1	207807-1 (page 7)