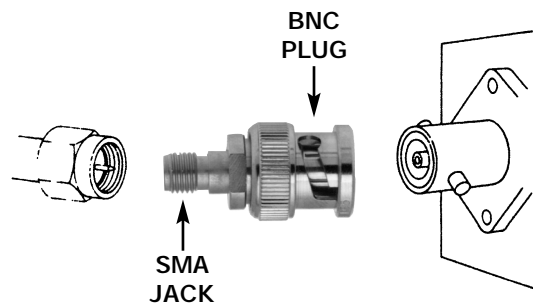
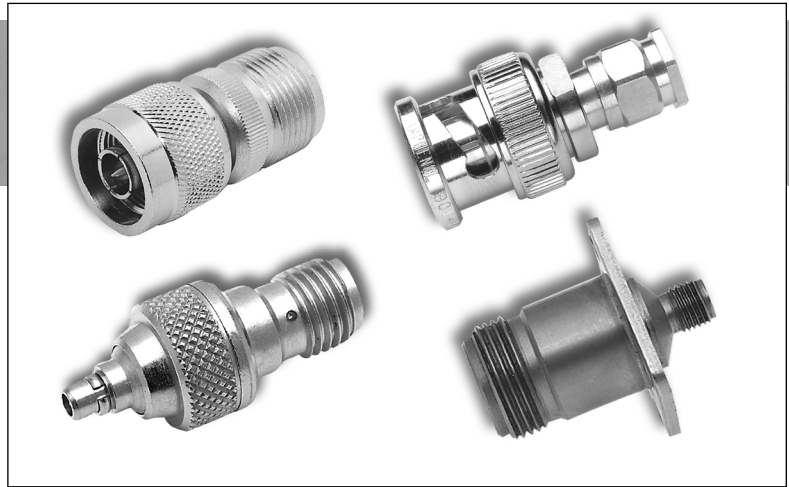


Description

Amphenol® Between Series Adapters are used to join two incompatible series. When a single connector series is involved, the adapters are called "In-Series" and are described within the catalog section dealing with that series. The adapters cataloged here provide a transition from one connector series to another.

Amphenol® describes an adapter by referring to its own construction. We indicate the specific series involved and the mating configuration of each end of the adapter required...SMA jack to BNC plug, for instance. One end of the adapter is an SMA jack, the other end is a BNC plug indicating it joins an SMA plug to a BNC jack.



Features/Benefits

- Broad line of adapters covering all the major series to provide the user maximum flexibility.

Applications

- Used to join two incompatible series.

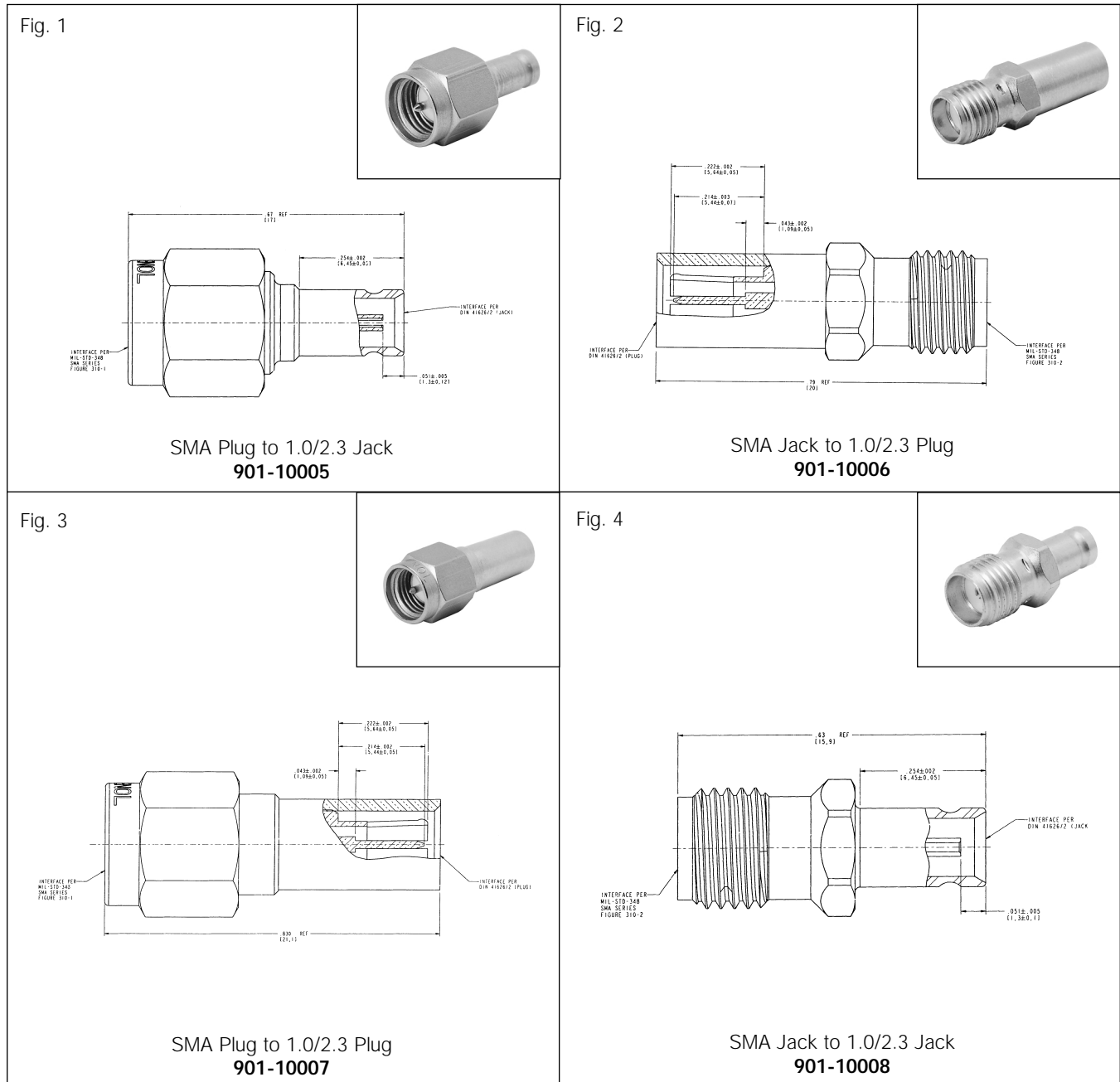
Between Series Adapters

Index	210
Straight Jack-Plug or Jack-Jack	212-215
Straight Plug-Plug or Plug-Jack	216-218
Bulkhead and Panel Mount	219
7/16 - N	220
1.0/2.3	221

About this Index

You will find the various series listed alphabetically. In addition, this is a redundant index, which means that — because each Between Series Adapter has two distinct ends—we have listed each adapter twice...once under each series. Thus, no matter which end of the adapter comes to mind when you go to look it up in this index, you'll be able to find it. Also note, the page number refers to the location of the photograph of the adapter.

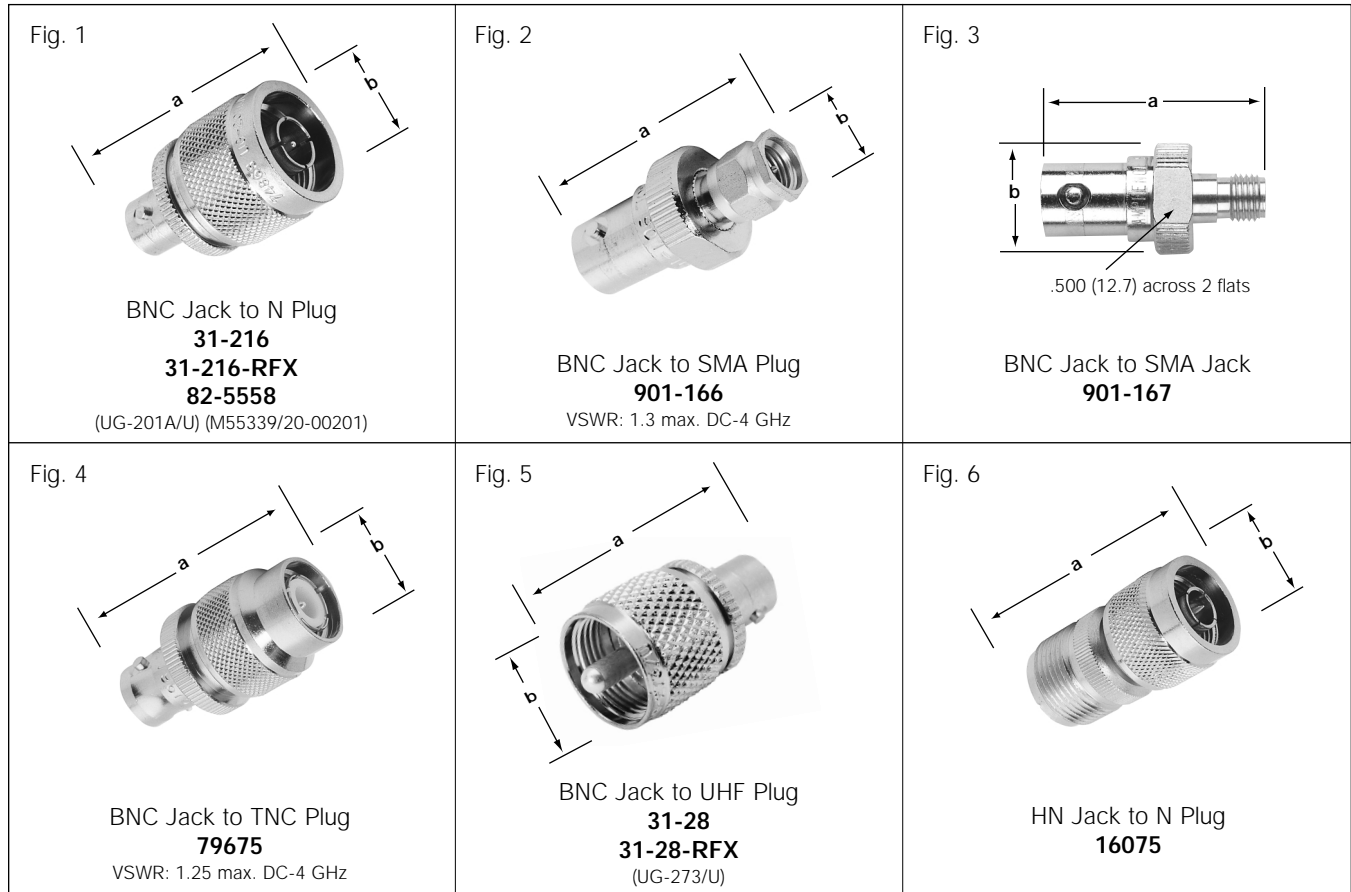
Adapter Ends	Configuration MIL Number	Amphenol Number	Page	FIG	Adapter Ends	Configuration MIL Number	Amphenol Number	Page	FIG
3.5mm Jack-N Jack	Panel	901-9718	219	5	SMA Plug-1.0/2.3 Jack	Straight	901-10005	211	1
					SMA Plug-1.0/2.3 Plug	Straight	901-10006	211	2
					SMA Plug-1.0/2.3 Plug	Straight	901-10007	211	3
					SMA Plug-1.0/2.3 Jack	Straight	901-10008	211	4
7/16 Series					SMB				
7/16 Jack-N Jack	Straight	APH-716F-NF	220	1	SMB Jack-SMA Jack	Straight	901-9033	214	2
7/16 Plug-N Jack	Straight	APH-716M-NF	220	3	SMB Plug-SMA Jack	Straight	901-9034	214	1
7/16 Jack-N Plug	Straight	APH-716F-NM	220	2	SMB Plug-SMA Plug	Straight	901-9038	217	5
7/16 Plug-N Plug	Straight	APH-716M-NM	220	4	SMC				
APC					SMC Jack-BNC Jack	Blkh .062 amp fuse	903-377A-52B1	219	2
APC-7-SMA Plug	Straight	131-91038	217	7	TNC				
BNC					TNC Jack-BNC Plug	Straight	79025	216	5
BNC Jack-N Plug	Straight UG-201A/U	31-216	212	1	TNC Jack-N Jack	Straight	78825	213	4
BNC Jack-N Plug	Straight	31-216-RFX	212	1	TNC Jack-N Plug	Straight	78800	217	3
BNC Jack-N Plug	Straight M55339/20-00201	82-5558	212	1	TNC Jack-SMA Jack	Straight	901-171	214	3
BNC Jack-N Jack	Straight M55339/01-00001	82-5550	215	4	TNC Jack-SMA Jack	Panel	901-280	219	6
BNC Jack-N Jack	Straight M55339/25-00606	82-5561	219	7	TNC Plug-BNC Jack	Straight	79675	212	4
BNC Jack-SMA Jack	Straight	901-167	212	3	TNC Plug-N Jack	Straight	79825	213	5
BNC Jack-SMA Jack	Bulkhead	901-9173	219	4	TNC Plug-SMA Plug	Straight	901-168	217	6
BNC Jack-SMA Plug	Straight	901-166	212	2	TNC Plug-FME Plug	Straight	81-162	218	3
BNC Jack-SMC Jack	Blkh .062 amp fuse	903-377A-52B1	219	2	TNC Plug-FME Plug	Right Angle	81-191-RFX	218	8
BNC Jack-SMA Plug	Straight	79675	212	4	Y-Jack				
BNC Jack-UHF Plug	Straight UG-273/U	31-28	212	5	F Jack-G Plug	Straight	531-40010	215	1
BNC Jack-UHF Plug	Straight	31-28-RFX	212	5	F Jack-G Jack	Straight	531-40009	215	2
BNC Plug-N Jack	Straight UG-349A/U	31-217	210	2	Y-Jack G				
BNC Plug-N Jack	Straight	31-217-RFX	216	2	G Plug-F Jack	Straight	531-40010	215	1
BNC Plug-N Plug	Straight UG-10343/U	5225	216	1	G Jack-F Jack	Straight	531-40009	215	2
BNC Plug-SMA Jack	Straight	901-165	216	4	Y-Jack N				
BNC Plug-SMA Plug	Straight	901-164	216	3	N Jack-BNC Plug	Straight UG-349A/U	31-217	216	2
BNC Plug-UHF Jack	Straight	2900	216	6	N Jack-BNC Plug	Straight	31-217-RFX	216	2
BNC Plug-TNC Jack	Straight UG-255/U	79025	216	5	N Jack-BNC Jack	Straight M55339/01-00001	82-5550	215	4
BNC Plug-FME Plug	Straight	81-189-RFX	218	6	N Jack-BNC Jack	Straight M55339/25-00606	82-5561	219	7
BNC Plug-FME Plug	Right Angle	81-190-RFX	218	7	N Jack-HN Plug	Straight	16050	213	3
FME					N Jack-SMA Jack	Straight	901-295	213	2
FME Plug-Mini-UHF Plug	Straight	81-161	218	2	N Jack-SMA Jack	Bulkhead	901-3143-1000	219	1
FME Plug-TNC Plug	Straight	81-162	218	3	N Jack-SMA Jack	Panel	901-9720	219	3
FME Plug-BNC Plug	Straight	81-189-RFX	218	6	N Jack-SMA Plug	Straight	901-293	213	1
FME Plug-BNC Plug	Right Angle	81-190-RFX	218	7	N Jack-TNC Jack	Straight	78825	213	4
FME Plug-UHF Plug	Straight	81-193-RFX	218	1	N Jack-TNC Plug	Straight	79825	213	5
FME Plug-UHF Plug	Straight	81-192-RFX	218	9	N Jack-UHF Plug	Straight UG-83/U	14000	213	6
FME Plug-TNC Plug	Right Angle	81-191-RFX	218	8	N Jack-3.5mm Jack	Jack Panel	901-9718	218	5
HN Series					N Jack-7/16 Jack	Straight	APH-716F-NF	220	1
HN Jack-N Plug	Straight	16075	212	6	N Jack-7/16 Plug	Straight	APH-716M-NF	220	3
HN Plug-N Jack	Straight	16050	213	3	N Plug-BNC Jack	Straight UG-201A/U	31-216	212	1
Mini-UHF					N Plug-BNC Jack	Straight	31-216-RFX	212	1
Mini-UHF Plug-UHF Plug	Straight	83-910-RFX	218	4	N Plug-BNC Plug	Straight M55339/20-00201	82-5558	212	1
Mini-UHF Plug-FME Plug	Straight	83-161	218	2	N Plug-BNC Plug	Straight UG-1034/U	5225	215	1
MMCX					N Plug-HN Jack	Straight	16075	212	6
MMCX Plug-SMA Jack	Straight	908-31100	218	5	N Plug-SMA Jack	Straight	901-294	217	2
MMCX Jack-SMA Plug	Straight	908-32101	215	3	N Plug-SMA Plug	Straight	901-292	217	1
RCA					N Plug-TNC Jack	Straight	78800	217	3
RCA Plug-UHF Jack	Straight	83-10	214	4	N Plug-UHF Jack	Straight UG-146/U	4400	217	4
SMA					N Plug-7/16 Jack	Straight	APH-716F-NM	220	2
SMA Jack-BNC Jack	Straight	901-167	212	3	N Plug-7/16 Plug	Straight	APH-716M-NM	220	4
SMA Jack-BNC Jack	Bulkhead	901-9173	219	4	N Plug-FME Plug	Straight	81-192-RFX	218	9
SMA Jack-BNC Plug	Straight	901-165	216	4	UHF				
SMA Jack-N Jack	Straight	901-295	213	2	UHF Jack-BNC Plug	Straight UG-255/U	2900	216	6
SMA Jack-N Jack	Bulkhead	901-3143-1000	218	1	UHF Jack-N Plug	Straight UG-146/U	4400	217	4
SMA Jack-N Jack	Panel	901-9720	219	3	UHF Jack-RCA Plug	Straight	83-10	214	4
SMA Jack-N Plug	Straight	901-294	217	2	UHF Plug-BNC Jack	Straight UG-277/U	31-28	212	5
SMA Jack-SMB Jack	Straight	901-9033	214	2	UHF Plug-BNC Jack	Straight	31-28-RFX	212	5
SMA Jack-SMB Plug	Straight	901-9034	214	1	UHF Plug-N Jack	Straight UG-83/U	14000	213	6
SMA Jack-TNC Jack	Straight	901-171	214	3	UHF Plug-Mini-UHF Plug	Straight	83-910-RFX	218	4
SMA Jack-TNC Jack	Panel	901-280	219	6	UHF Plug-FME Plug	Straight	81-193-RFX	218	1
SMA Plug-BNC Jack	Straight	901-166	212	2	1.0/2.3				
SMA Plug-BNC Plug	Straight	901-164	216	3	1.0/2.3 Jack SMA Plug	Straight	901-10005	211	1
SMA Plug-N Jack	Straight	901-293	213	1	1.0/2.3 Plus SMA Plug	Straight	901-10006	211	2
SMA Plug-N Plug	Straight	901-292	219	1	1.0/2.3 Plug SMA Plug	Straight	901-10007	211	3
SMA Jack-MMCX Plug	Straight	908-31100	218	5	1.0/2.3 Jack SMA Jack	Straight	901-10008	211	4
SMA Jack-MMCX Jack	Straight	908-32101	215	3	1.0/2.3				
SMA Plug-SMB Plug	Straight	901-9038	217	5	1.0/2.3 Jack SMA Plug	Straight	901-10005	211	1
SMA Plug-TNC Plug	Straight	901-168	217	6	1.0/2.3 Plus SMA Plug	Straight	901-10006	211	2
SMA Plug-APC-7	Straight	131-91038	217	7	1.0/2.3 Plug SMA Plug	Straight	901-10007	211	3
					1.0/2.3 Jack SMA Jack	Straight	901-10008	211	4



1.0/2.3 ADAPTER

Description	Ins.	Construction notes	Amphenol Number	Fig
SMA Plug to 1.0/2.3 Jack	D1	Gold Plated	901-10005	1
SMA Jack to 1.0/2.3 Plug	D1	Gold Plated	901-10006	2
SMA Plug to 1.0/2.3 Plug	D1	Gold Plated	901-10007	3
SMA Jacks to 1.0/2.3 Jack	D1	Gold Plated	901-10008	4

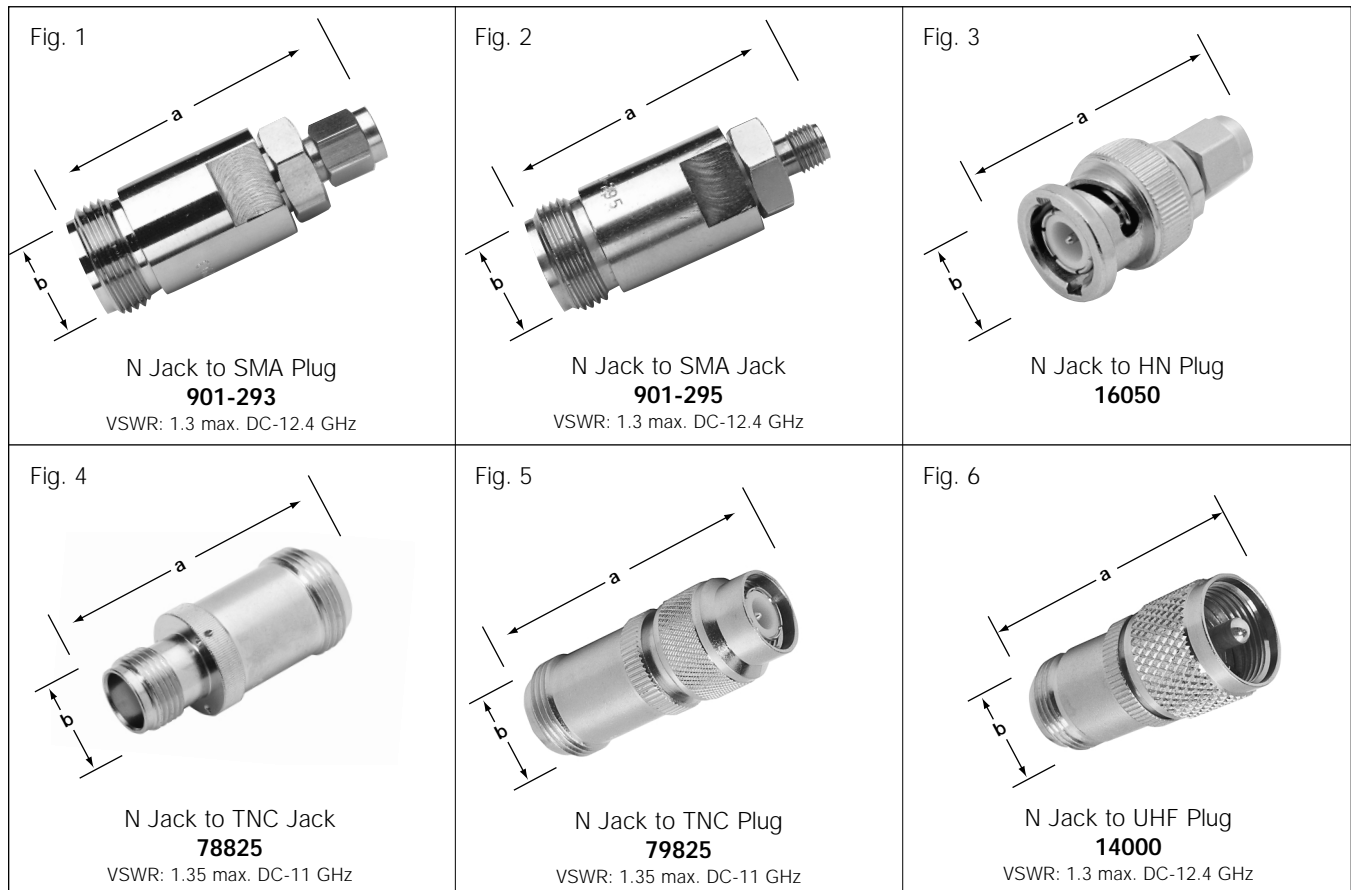
Adapters, Between Series Straight, Jack to Plug or Jack to Jack



STRAIGHT ADAPTERS - JACK TO PLUG OR JACK TO JACK

Adapter Ends		Dimension, inch (millimeters)		Notes		Military Number	Amphenol Number	Fig.
		a	b	Plt.	Ins.			
BNC Jack	N Plug	1.31 (33.3)	.812 (20.6)	P1	D1	UG-201A/U	31-216	1
BNC Jack	N Plug	1.31 (33.3)	.812 (20.6)	P1	D1	UG-201A	31-216-RFX	1
BNC Jack	N Plug	1.36 (34.4)	.828 (21.0)	P6	D1	M55339/20-00	82-5558	1
BNC Jack	SMA Plug	1.16 (29.4)	.562 (14.3)	P51	D1	-	901-166	2
BNC Jack	SMA Jack	1.12 (28.6)	.562 (14.3) dia.	P51	D1	-	901-167	3
BNC Jack	TNC Plug	1.25 (31.8)	.525 (15.9)	P1	D1	-	79675	4
BNC Jack	UHF Plug	1.19 (30.2)	.719 (18.3)	P1	D6	UG-273/U	31-28	5
BNC Jack	UHF Plug	1.19 (30.2)	.719 (18.3)	P1	D6	UG-273/U	31-28-RFX	5
HN Jack	N Plug	1.56 (39.7)	.813 (20.6)	P1	D1	-	16075	6

Adapters, Between Series Straight, Jack to Plug or Jack to Jack

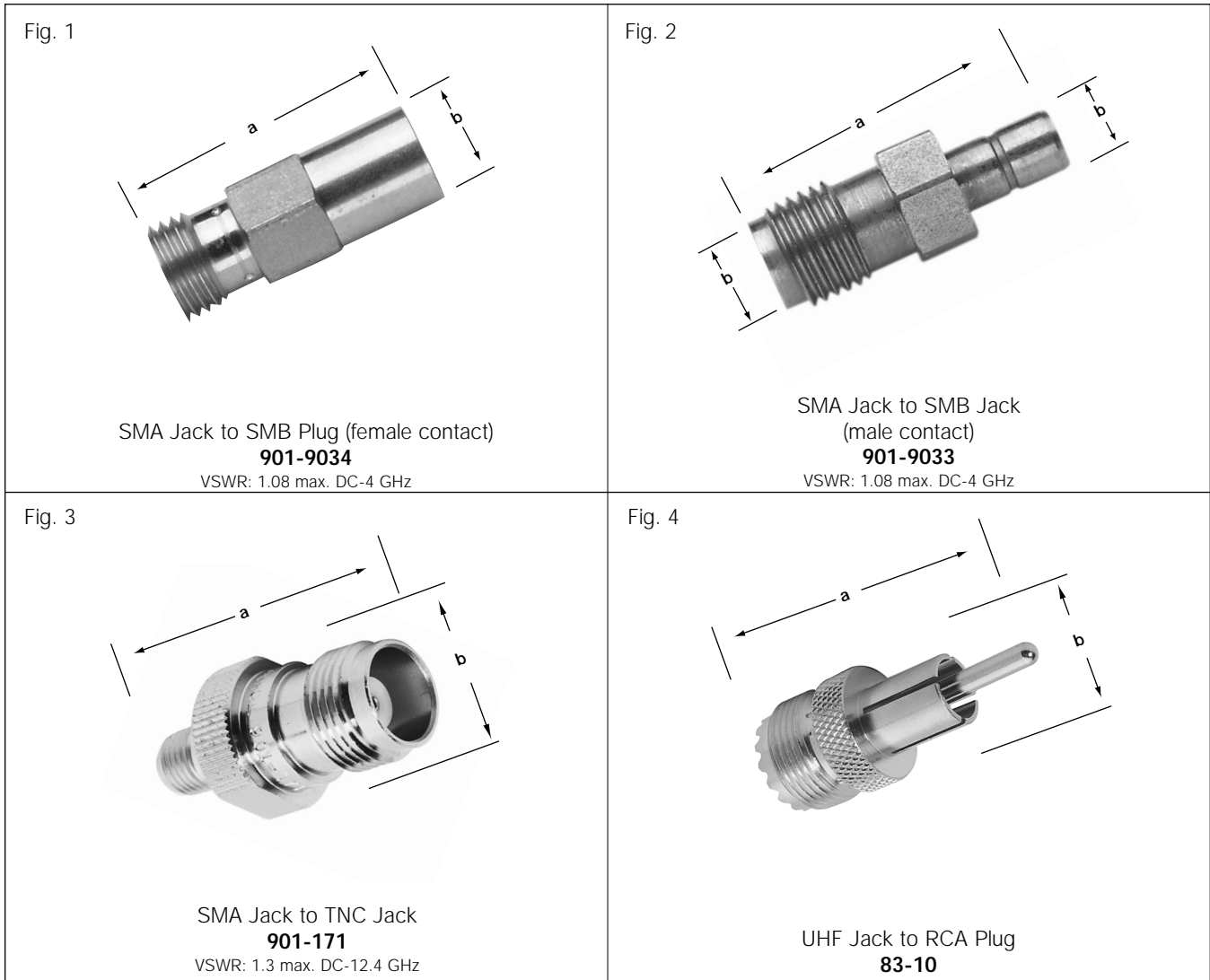


Adapters

STRAIGHT ADAPTERS - JACK TO PLUG OR JACK TO JACK

Adapter Ends		Dimension, inch (millimeters)		Notes		Military Number	Amphenol Number	Fig.
		a	b	Plt.	Ins.			
N Jack	SMA Plug	1.70 (43.2)	.625 (15.9) dia.	P52	D1	-	901-293	1
N Jack	SMA Jack	1.66 (42.1)	.625 (15.9) dia.	P9	D1	-	901-295	2
N Jack	HN Plug	1.5 (39.7)	.875 (22.2)	P1	D1	-	16050	3
N Jack	TNC Jack	1.39 (35.3)	.625 (15.9)	P1	D1	-	78825	4
N Jack	TNC Plug	1.66 (42.1)	.625 (15.9)	P1	D1	-	79825	5
N Jack	UHF Plug	1.56 (39.7)	.750 (19.1)	P1	D1/6	UG-83/U	14000	6

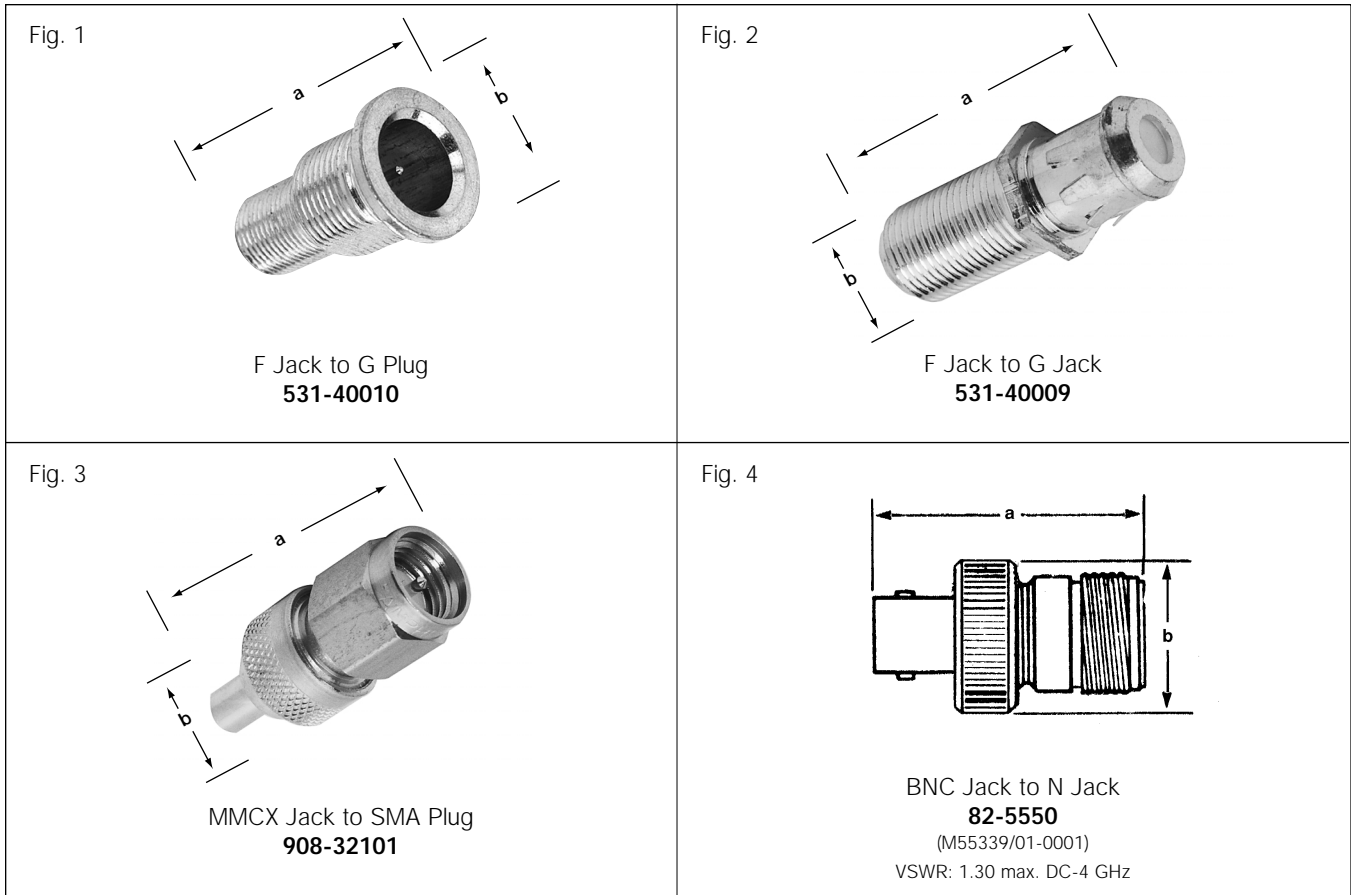
Adapters, Between Series Straight, Jack to Plug or Jack to Jack



STRAIGHT ADAPTERS - JACK TO PLUG OR JACK TO JACK

Adapter Ends		Dimension, inch (millimeters)		Notes		Military Number	Amphenol Number	Fig.
		a	b	Plt.	Ins.			
SMA Jack	SMB Plug	.750 (19.1)	.250 (6.4) hex.	P1	D1	-	901-9034	1
SMA Jack	SMB Jack	705 (17.9)	.250 (6.4) hex.	P12	D1	-	901-9033	2
SMA Jack	TNC Jack	1.12 (28.6)	.562 (14.3) dia.	P51	D1	-	901-171	3
UHF Jack	RCA Plug	1.64 (41.7)	.650 (16.5) dia.	P2	D33	-	83-10	4

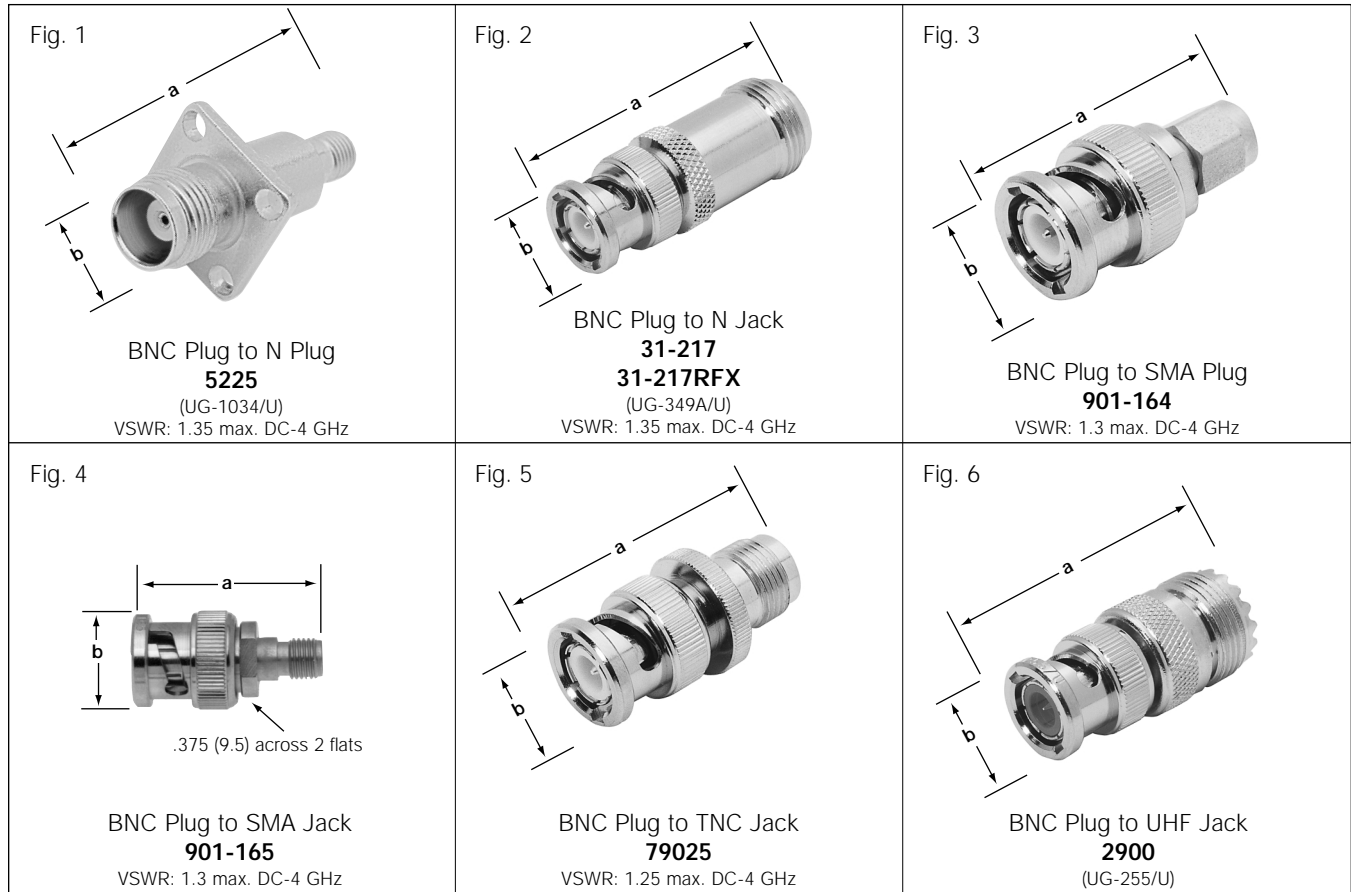
Adapters, Between Series Straight, Jack to Plug or Jack to Jack



STRAIGHT ADAPTERS - JACK TO PLUG OR JACK TO JACK

Adapter Ends		Dimension, inch (millimeters)		Notes		Military Number	Amphenol Number	Fig.
		a	b	Plt.	Ins.			
F Jack	G Plug	.93 (23.6)	.625 (15.88)	P36	D1	-	531-40010	1
F Jack	G Jack	1.15 (29.2)	.375 (9.53)	P37	D1	-	531-40009	2
MMCX Jack	SMA Plug	.878 (22.3)	.354 (9.00)	P29	D1	-	908-32101	3
BNC Jack	N Jack	1.14 (28.96)	.750 (19.05)	P33	D1	M55339/01-0001	82-5550	4

Adapters, Between Series Straight, Plug to Plug or Plug to Jack



STRAIGHT ADAPTERS - PLUG TO PLUG OR PLUG TO JACK

Adapter Ends		Dimension, inch (millimeters)		Notes		Military Number	Amphenol Number	Fig.
		a	b	Plt.	Ins.			
BNC Plug	N Plug	1.50 (38.1)	.812 (20.6)	P4	D1	UG-1034/U	5225	1
BNC Plug	N Jack	1.56 (39.7)	.625 (15.9)	P1	D1	UG-349A/U	31-217	2
BNC Plug	N Jack	1.56 (39.7)	.625 (15.9)	P1	D1	-	31-217-RFX	2
BNC Plug	SMA Plug	1.09 (27.8)	.562 (14.3) dia.	P49	D1	-	901-164	3
BNC Plug	SMA Jack	1.06 (27.0)	.562 (14.3)	P8	D1	-	901-165	4
BNC Plug	TNC Jack	1.25 (31.8)	.625 (15.9)	P1	D1	-	79025	5
BNC Plug	UHF Jack	1.31 (33.3)	.625 (15.9)	P1	D6/8	UG-255/U	2900	6

Adapters, Between Series Straight, Plug to Plug or Plug to Jack

Fig. 1

N Plug to SMA Plug
901-292
VSWR: 1.3 max. DC-12.4 GHz

Fig. 2

N Plug to SMA Jack
901-294
VSWR: 1.3 max. DC-12.4 GHz

Fig. 3

N Plug to TNC Jack
78800
VSWR: 1.35 max. DC-11 GHz

Fig. 4

N Plug to UHF Jack
4400
(UG-146/U)

Fig. 5

SMA Plug to SMB Plug
(Female Contact)
901-9038
VSWR: 1.08 max. DC-4 GHz

Fig. 6

SMA Plug to TNC Plug
901-168
VSWR: 1.3 max. DC-4 GHz

Fig. 7

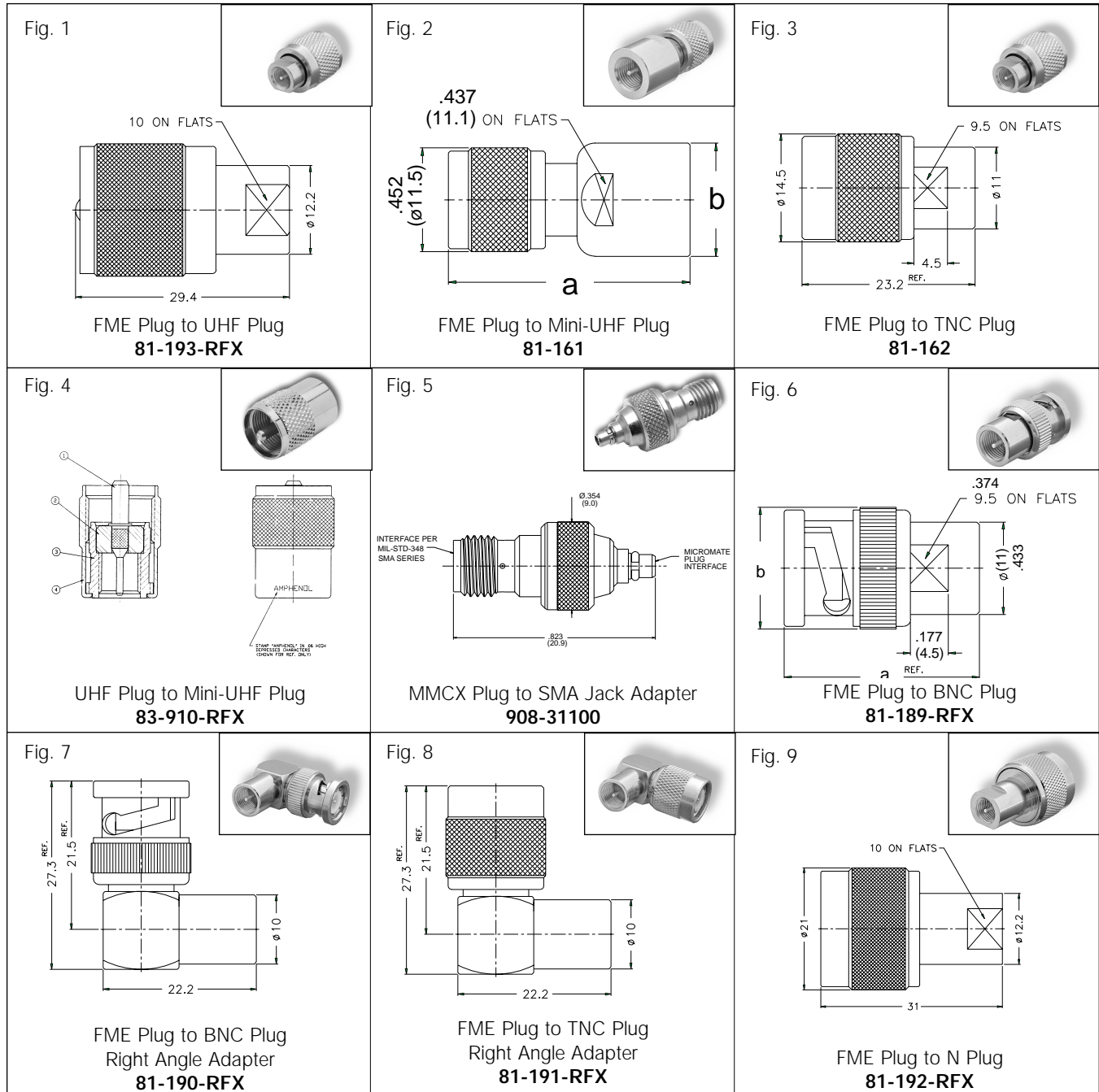
SMA Plug to APC-7
131-91038

Adapters

STRAIGHT ADAPTERS - PLUG TO PLUG OR PLUG TO JACK

Adapter Ends		Dimension, inch (millimeters)		Notes		Military Number	Amphenol Number	Fig.
		a	b	Plt.	Ins.			
N Plug	SMA Plug	1.70 (43.2)	.812 (20.6) dia.	P52	D1	-	901-292	1
N Plug	SMA Jack	1.66 (42.1)	.812 (20.6)	P9	D1	-	901-294	2
N Plug	TNC Jack	1.94 (33.3)	.813 (20.6)	P1	D1	-	78800	3
N Plug	UHF Jack	1.41 (35.7)	.813 (20.6)	P1	D6/8	UG-146/U	4400	4
SMA Plug	SMB Plug	.875 (22.2)	.312 (7.9) hex.	P29	D1	-	901-9038	5
SMA Plug	TNC Plug	1.12 (28.6)	.593 (15.1) dia.	P51	D1	-	901-168	6
SMA Plug	APC-7	1.39 (35.3)	.865 (22.0)	P29	D1	-	131-91038	7

Adapters, Between Series Plug to Plug or Plug to Jack



ADAPTERS — PLUG TO PLUG OR PLUG TO JACK

Adapter Ends		Dimension, inch (millimeters)		Notes		Description	Amphenol Number	Fig.
		a	b	Pit.	Ins.			
FME Plug	UHF Plug	1.16 (29.4)	.480 (12.2)	P1	D1	Straight	81-193-RFX	1
FME Plug	Mini-UHF Plug	.492 (12.5)	1.04 (26.5)	P1	D23	Straight	81-161	2
FME Plug	TNC Plug	.913 (23.2)	.571 (14.5)	P1	D23	Straight	81-162	3
UHF Plug	Mini-UHF Plug	1.04 (26.4)	.750 (19.1)	P5	D23	Straight	83-910-RFX	4
MMCX Plug	SMA Jack	.823 (20.9)	.354 (9.0)	P11	D1	Straight	908-31100	5
BNC Plug	FME Plug	.913 (23.2)	.571 (9.0)	P1	D23	Straight	81-189-RFX	6
BNC Plug	FME Plug	1.07 (27.3)	.874 (22.2)	P1	D23	Right Angle	81-190-RFX	7
FME Plug	TNC Plug	1.07 (27.3)	.874 (22.2)	P1	D23	Right Angle	81-191-RFX	8
FME Plug	N Plug	1.22 (31.0)	.480 (12.2)	P1	D1	Straight	81-192-RFX	9

Fig. 1

**N Jack to SMA Jack
901-3143-1000**
VSWR: 1.3 max. DC-18 GHz

Fig. 2

**BNC Jack to SMC Jack
903-377A-52B1**
.062 Amp Fuse

Fig. 3

**N Jack to SMA Jack
901-9720**
VSWR: 1.3 max. DC-7 GHz

Fig. 4

**BNC Jack to SMA Jack
901-9173**
VSWR: 1.25 max. DC-4 GHz

Fig. 5

**N Jack to 3.5mm Jack
901-9718**
VSWR: 1.5 max. DC-22 GHz

Fig. 6

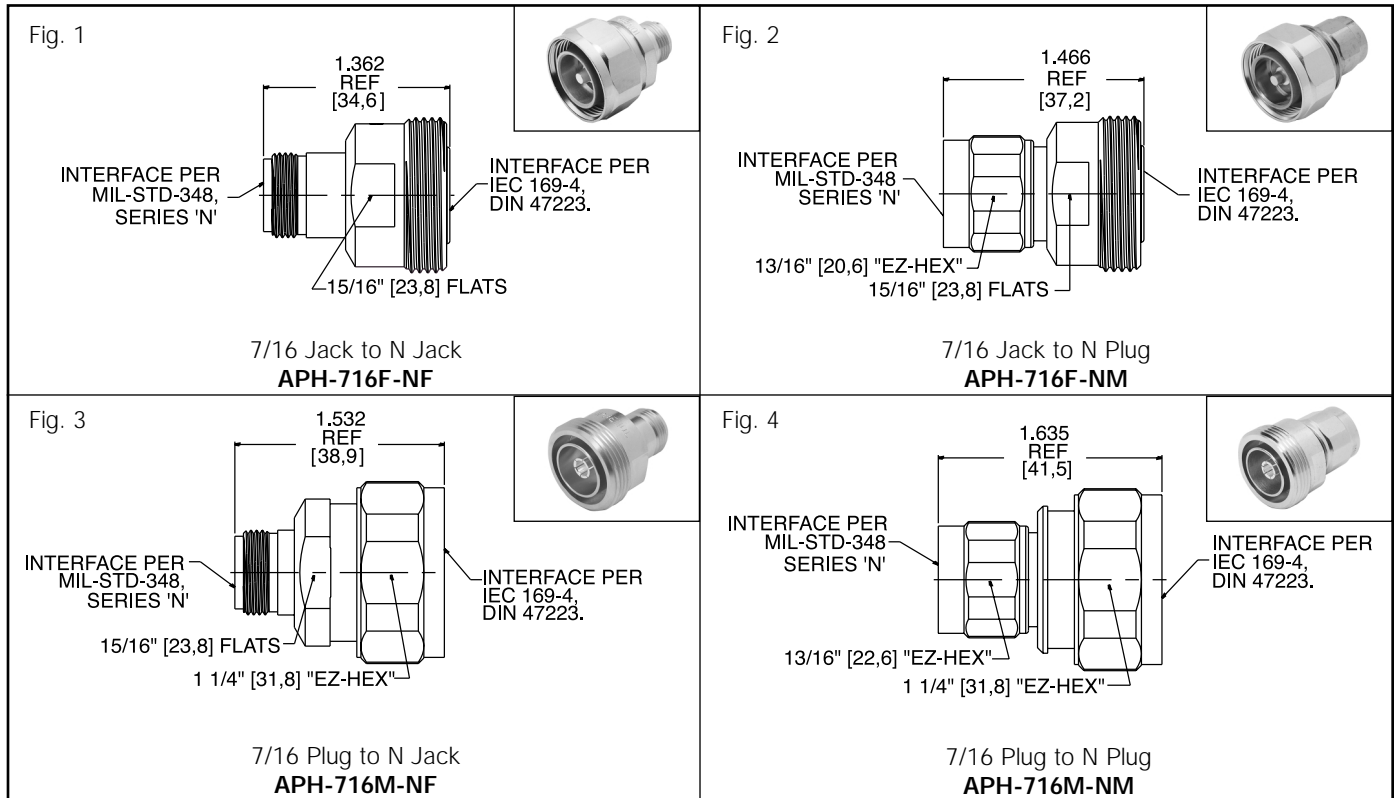
**TNC Jack to SMA Jack
901-280**
VSWR: 1.3 max. DC-12.4 GHz

Fig. 7

**N Jack to BNC Jack
82-5561**
VSWR: 1.30 max. DC-4 GHz

BULKHEAD AND PANEL MOUNT ADAPTERS

Adapter Ends	Dimensions, Inches (millimeters)						Plt.	Ins.	Mtg. Hole	Notes	Amphenol Number	Fig.
	A	b	c	d	e	f						
N Jack- SMA Jack	1.36 (34.6)	.812 (20.6) hex. .094 (2.4) thick (8.8)	.348 (8.8)	1.01 (25.7)	.685 (17.4)	.918 (23.3)	P31	D1	U	Bulkh.Mount w/ gasket	901-3143-1000	1
BNC Jack SMC Jack	1.32 (33.6)	.710 (18.0) dia. .060 (1.5) thick (13.4)	.529 (13.4)	.796 (20.2)	.250 (6.4)	.736 (18.7)	P32	D1	W	.062 amp Fuse	903-377A-52B1	2
N Jack SMA Jack	1.23 (31.2)	1.00 (25.4) sq. .080 (2.0) thick (20.0)	.787 (20.0)	.445 (11.3)	-	.365 (9.3)	P31	D1	N	4-hole Flange Mount	901-9720	3
BNC Jack SMA Jack	1.12 (28.6)	.595 (15.1) dia. .090 (2.3) thick (10.8)	.425 (10.8)	.700 (17.8)	.125 (3.2) max.	.610 (15.5)	P30	D1	D	Bulkh. Mount w/ gasket	901-9173	4
N Jack 3.5 mm Jack	1.23 (31.2)	1.00 (25.4) sq. .080 (2.0) thick (20.0)	.787 (20.0)	.445 (11.3)	-	.365 (9.3)	P31	D1	N	4-hole Flange Mount	901-9718	5
TNC Jack SMA Jack	1.42 (36.1)	.687 (17.4) sq. .090 (2.3) thick (10.8)	.425 (10.8)	1.00 (25.4)	-	.910 (23.1)	P51	D1	T	4-hole Flange Mount	901-280	6
BNC Jack N Jack	1.78 (45.2)	.900 (22.9)	.587 (14.9)	1.19 (30.2)	.300 (7.6)	1.04 (26.4)	P34	D1	U	Bulkh.Mount Pressurized	82-5561	7



7/16 TO N BETWEEN SERIES ADAPTERS

Amphenol Part Number	Description	Fig
APH-716F-NF	716 Female to Type N Female Adapter	1
APH-716F-NM	716 Female to Type N Male Adapter	2
APH-716M-NF	716 Male to Type N Female Adapter	3
APH-716M-NM	716 Male to Type N Male Adapter	4

Note: In our adapter terminology, we describe an adapter by referring to it's own construction, not by what the adapter connects to.