

PRODUCT FINDER

- Reed Switches
- Reed Relays
- Passive Infrared Detectors
- Photoelectric Beams
- Opto Sensors
- Proximity Sensors
- Application Notes
- Magnet Selection
- Lever
- Magnet
 - DS-M2
 - MJS-2234
 - PS-0016
 - PS-0018
 - PS-0021
 - PS-0024
 - PS-0048
 - PS-500
 - PS-510
 - PS-520
 - PS-1522
 - PS-3150
 - PS-3170
 - PS-3251
 - PS-3529
 - PS-3670
 - PS-3870
 - PS-3980
 - PS-4122**
 - PS-4221
 - PS-5171
 - PS-6132
 - PS-6231
 - PS-6341
 - PS-6503
 - PSP-05
- Shield
- Automotive Sensors
- Level Sensors
- Flow Sensors
- Magnetic Contacts
- Video

Aleph PS-4122 Proximity Sensor - Waterproof

- Dust and waterproof
- Recommended for factory automation application

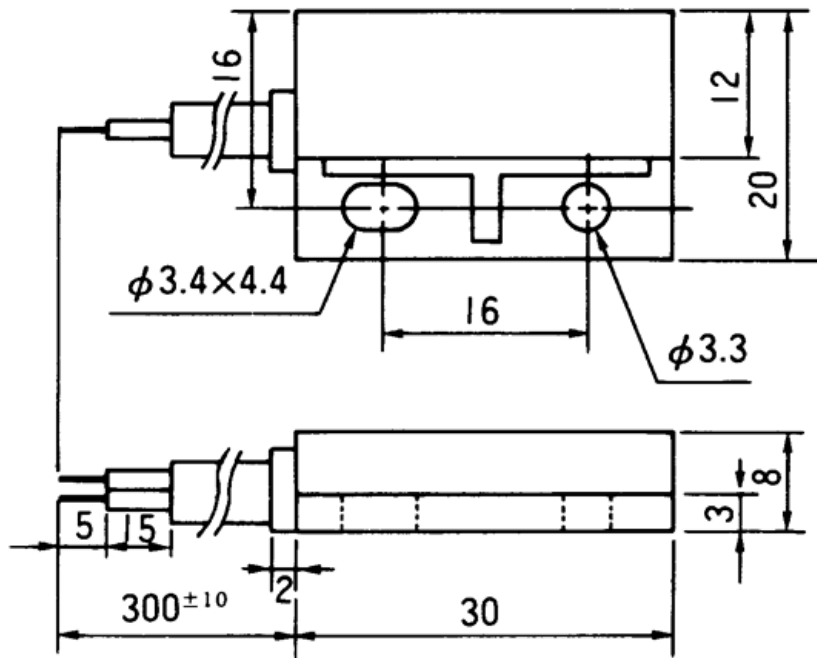


[Click Here to Choose Magnet](#)

Specifications

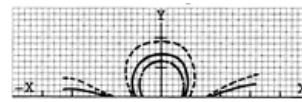
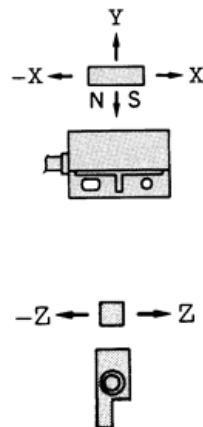
Item	Value
Contact Form	NO
Contact Rating	10W max.
Switching Voltage	200VDC max.
Switching Current	0.5A max.
Breakdown Voltage (open contact)	300VDC min.
Contact Resistance (initial)	0.4 ohms max.
Electrical Life (resistive loads)	10 ⁶ (100VDC, 0.1A)
Operating Temp.	-10 ~ +80°C

Dimensions

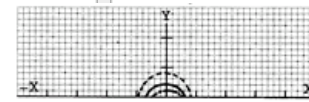


Case material: PBT
Wire: Twin core cable
Dimensions in mm (1 mm = 0.0394 inches)

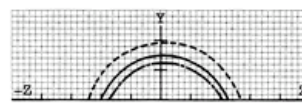
Operating Characteristics



Magnet TG-0016
Grid scale : 1mm



Magnet TG-0043
Grid scale : 1mm



Magnet TG-0016
Grid scale : 1mm



Magnet TG-0043
Grid scale : 1mm

