



AAVID  
THERMALLOY

Hi-Contact™  
Liquid Cold Plates

RoHS ✓  
Compliant

### HI-CONTACT™ LIQUID COLD PLATES FOR POWER APPLICATIONS

Aavid Thermalloy Hi-Contact™ liquid cold plates are designed for engineers seeking a cost effective solution for medium power density applications. Hi-Contact™ cold plates feature a interlocking groove and tube geometry that improves mechanical robustness and thermal performance over conventional designs.



#### CRITICAL APPLICATION NEED:

- *Cost/performance value*
- *Leak free operation*
- *Thermal performance*

#### FEATURES AND BENEFITS:

- *Economical extruded base and continuous tube construction*
- *Continuous joint free tube reduces chances for leaks*
- *Tube directly contacts the base of the device cooled improving thermal resistance. Thin epoxy joint between tube and plate outperforms 'dry' joints.*

#### ORDERING INFORMATION:

Part Number	"X" Dim	Finish	Configuration	Figure
416401U00000G	N/A	Unfinished	2 Pass	1
416501U00000G	152 (6.00)	Unfinished	4 Pass	2
416601U00000G	305 (12.00)	Unfinished	4 Pass	2
416101U00000G	152 (6.00)	Unfinished	6 Pass	3
416201U00000G	305 (12.00)	Unfinished	6 Pass	3
416301U00000G	610 (24.00)	Unfinished	6 Pass	3

Custom Configurations: See Figure 4 for design guidelines. Contact Aavid Thermalloy Application Engineering for assistance.

FOR MORE INFORMATION, VISIT OUR WEB SITE: [WWW.AAVIDTHERMALLOY.COM](http://WWW.AAVIDTHERMALLOY.COM)  
TEL: (603) 224-9988



# AAVID THERMALLOY

## Hi-Contact™ Liquid Cold Plates

RoHS   
Compliant

### SPECIFICATIONS:

- Plate Material: Extrusion, aluminum
- Tube Material: Copper,  
9.5 mm (0.375") O.D. x 1.24 mm (0.049") wall
- Epoxy: Aluminum filled, high thermal conductivity
- Finish: Unfinished standard

### AVAILABLE OPTIONS :

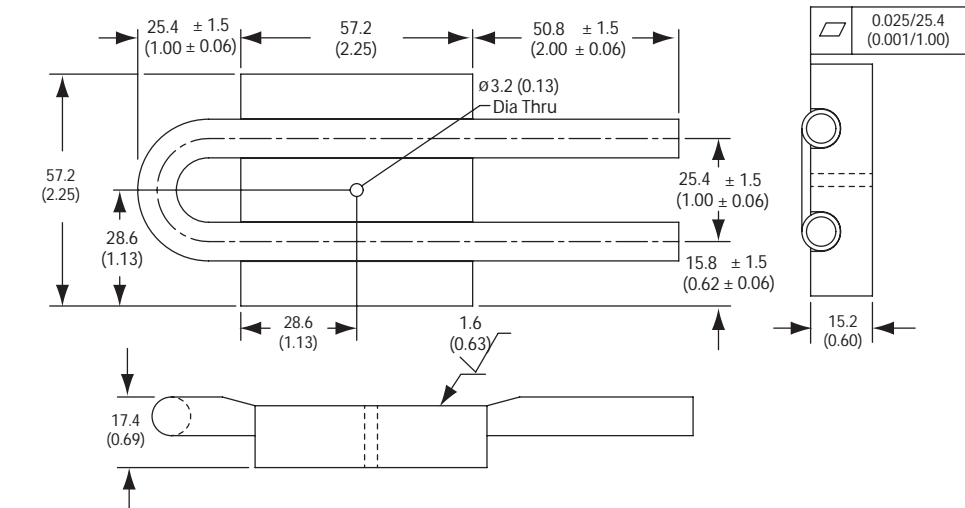
- Finishes: AavSHIELD, AavSHIELD<sup>3</sup>
- Tube Material: Stainless steel or Cupronickel tubing of the same diameter
- Sizes: Custom sizes available (see Figure 4)

Contact Aavid Thermalloy Applications Engineering Department for assistance with custom configurations

### MECHANICAL OUTLINE:

Figure 1

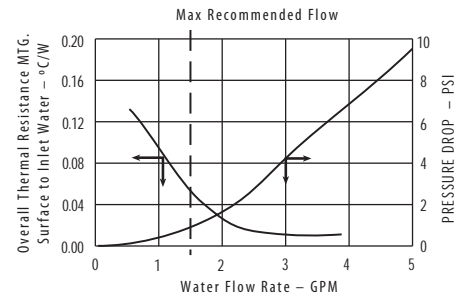
2 Pass Model



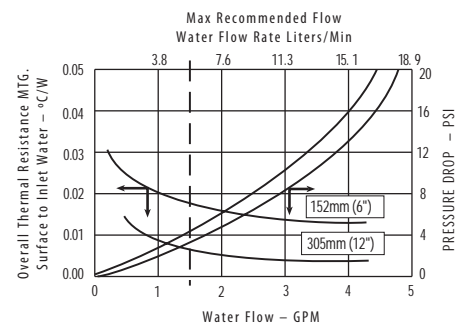
Dimensions as shown are mm (inches)

### PERFORMANCE:

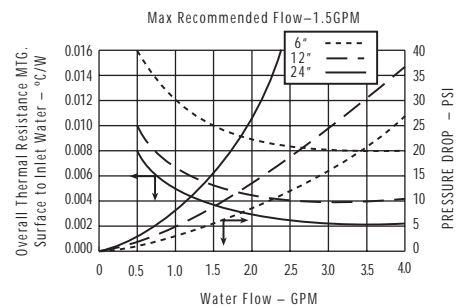
2 Pass Models



4 Pass Models



6 Pass Models



FOR MORE INFORMATION, VISIT OUR WEB SITE: [WWW.AAVIDTHERMALLOY.COM](http://WWW.AAVIDTHERMALLOY.COM)

TEL: (603) 224-9988



MECHANICAL OUTLINE:

Figure 2  
4 Pass Model

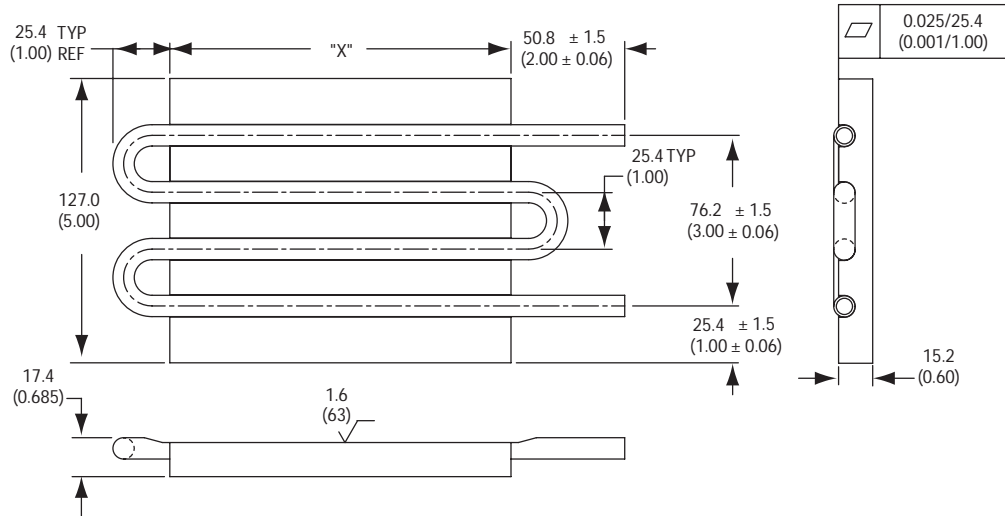
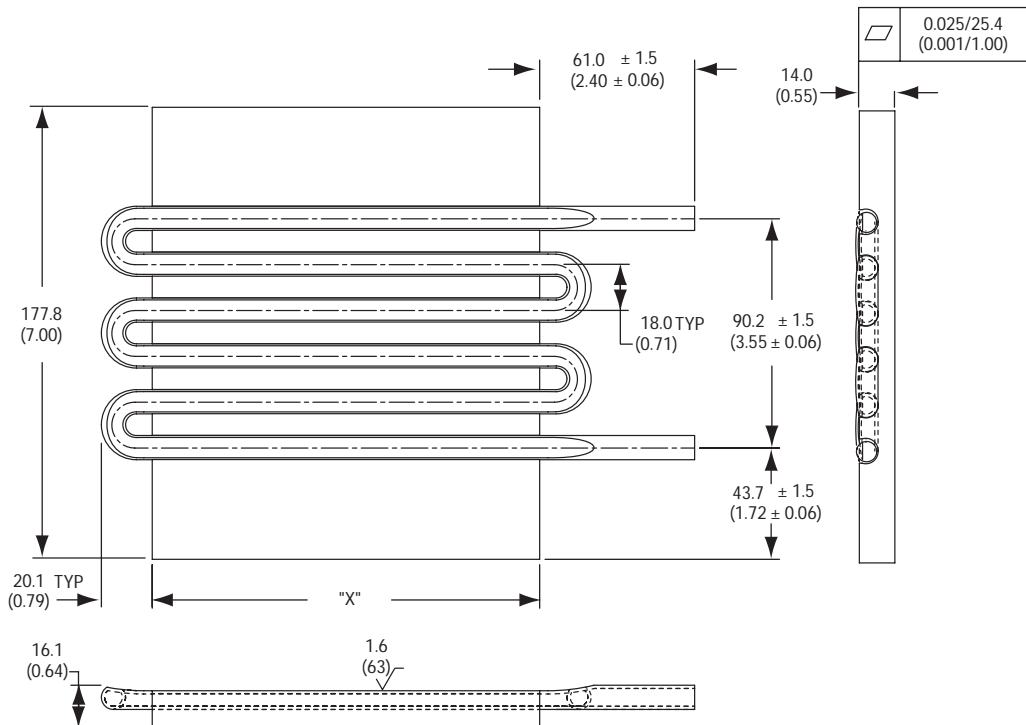


Figure 3  
6 Pass Model



Dimensions as shown are mm (inches)

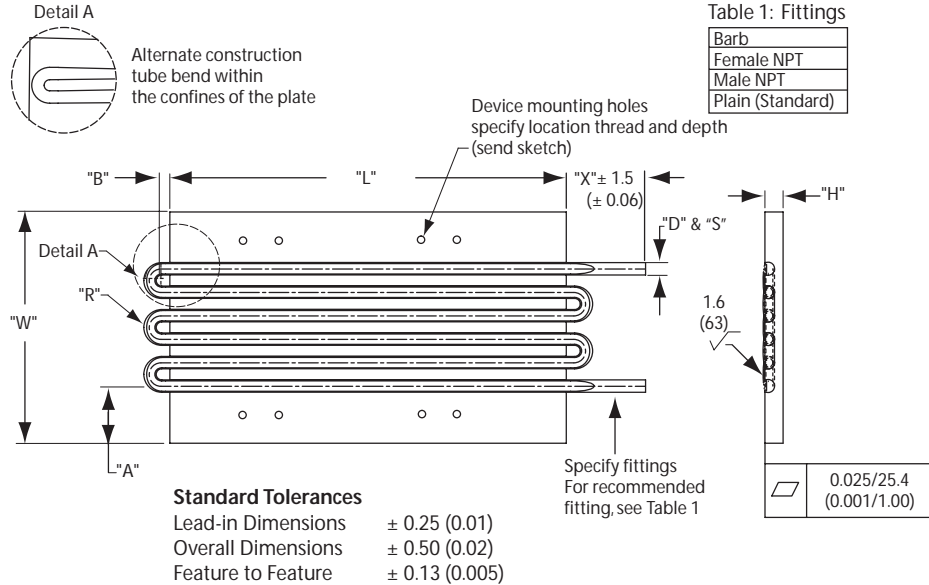
FOR MORE INFORMATION, VISIT OUR WEB SITE: [WWW.AAVIDTHERMALLOY.COM](http://WWW.AAVIDTHERMALLOY.COM)

TEL: (603) 224-9988



**MECHANICAL OUTLINE:**

Figure 4



**CUSTOM DESIGN GUIDELINES**

Dim	Description	Min	Max
A	Tube to edge	6.4 (0.25)	
B	Center line of tube radius to plate	3.0 (0.12)	
H	Plate thickness	1.7 x Dim D	25.4 (1.00)
L	Plate length	25.4 (1.00)	1219.2 (48.00)
R	Tube bend radius measured at centerline (Copper only. For alternate materials please contact application engineering.)*	1 x Dim D	
S	Tube wall thickness	1.25 (0.050)	
D	Tubing diameter	6.4 (0.25)	25.4 (1.00)
W	Plate width	38.1 (1.50)	250.4 (10.00)
X	Tube extension	25.4 (1.00)	254.0 (10.00)

\* To simplify tooling, a single bend radius dimension is recommended for all tube bends

**North America**  
70 Commercial Street  
Suite 200  
Concord, NH 03301  
TEL: (603) 224-9988  
FAX: (603) 223-1790  
EMAIL: info@aavid.com

**Europe - Italy**  
Via Aprile,32  
40057 Cadriano (BO), Italy  
TEL: (39) 051 764011  
FAX: (39) 051 764090  
EMAIL: sales.it@aavid.com

**Asia - Taiwan**  
14F-4, NO. 79, Hsin Tai Wu RD.  
SEC. 1, Hsi Chih  
Taipei Hsien  
Taiwan  
TEL: 011(886) 2-2698-9888  
FAX: 011(886) 2-2698-9808

**Asia - Singapore**  
Block 5014, #04-08  
Techplace 11  
Ang Mo Kio Ave 5  
Singapore 569881  
TEL: 65 -6362-8388  
FAX: 65-6362-8588

PLEASE NOTE: Any information furnished by Aavid Thermalloy is believed to be accurate and reliable, but our customers bear all responsibility for use and applications of Aavid Thermalloy products. AAVID THERMALLOY MAKES NO WARRANTIES EXPRESSED OR IMPLIED, AS TO THE FITNESS, MERCHANTABILITY, OR SUITABILITY OF ANY AAVID THERMALLOY PRODUCTS FOR ANY SPECIFIC OR GENERAL USES. AAVID THERMALLOY SHALL NOT BE LIABLE FOR INCIDENTAL OR CONSEQUENTIAL DAMAGES OF ANY KIND. All Aavid Thermalloy products are sold pursuant to the Aavid Thermalloy Domestic Terms and Conditions of Sale in effect from time to time, a copy of which shall be furnished upon request (8911A). Copyright © Aavid Thermalloy, LLC. March, 2012 All icons, drawings, illustrations, and trademarks are the property of Aavid Thermalloy, LLC. and may not be reproduced without express written permission. (3/2012)

**FOR MORE INFORMATION, VISIT OUR WEB SITE: WWW.AAVIDTHERMALLOY.COM  
TEL: (603) 224-9988**