

Cable to MSS, CHS and THS



3-Wire Harness



6-Wire Harness



7-Wire Harness

See below:

[Approvals and Compliances](#)

Description

- Cable connection as accessory

Weblinks

[pdf data sheet](#), [html datasheet](#), [General Product Information](#), [CAD-Drawings](#), [Product News](#), [Detailed request for product](#)

Approvals and Compliances

Detailed information on product approvals, code requirements, usage instructions and detailed test conditions can be looked up in [Details about Approvals](#)

SCHURTER products are designed for use in industrial environments. They have approvals from independent testing bodies according to national and international standards. Products with specific characteristics and requirements such as required in the automotive sector according to IATF 16949, medical technology according to ISO 13485 or in the aerospace industry can be offered exclusively with customer-specific, individual agreements by SCHURTER.

Application standards

Application standards where the product can be used

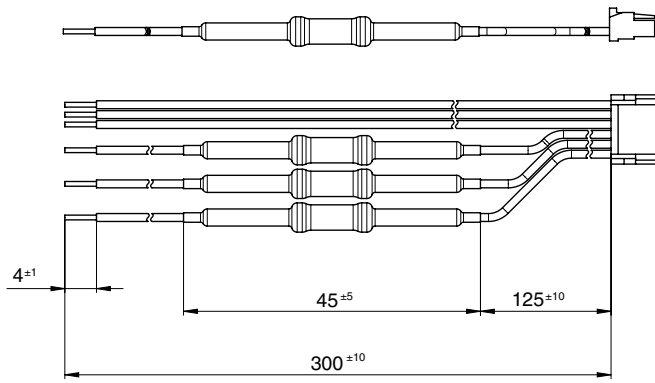
| Organization | Design | Standard | Description |
|--------------|--------------------------------|----------------|---|
| | Suitable for applications acc. | IEC/UL 62368-1 | Audio/video, information and communication technology equipment - Part 1: Safety requirements |

Compliances

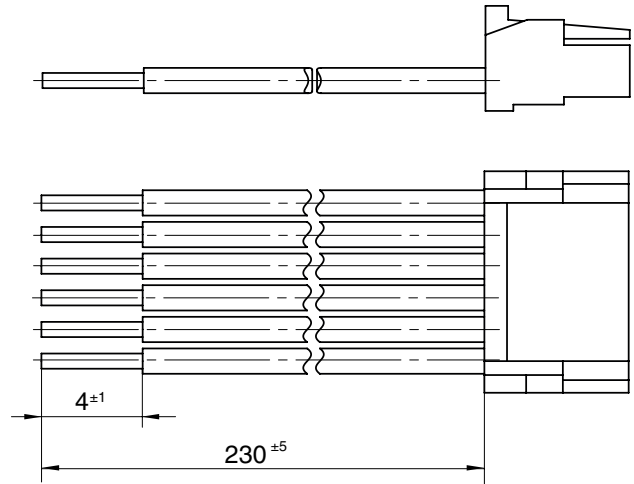
The product complies with following Guide Lines

| Identification | Details | Initiator | Description |
|----------------|---------|-------------|---|
| | RoHS | SCHURTER AG | Directive RoHS 2011/65/EU, Amendment (EU) 2015/863 |
| | REACH | SCHURTER AG | On 1 June 2007, Regulation (EC) No 1907/2006 on the Registration, Evaluation, Authorization and Restriction of Chemicals 1 (abbreviated as "REACH") entered into force. |

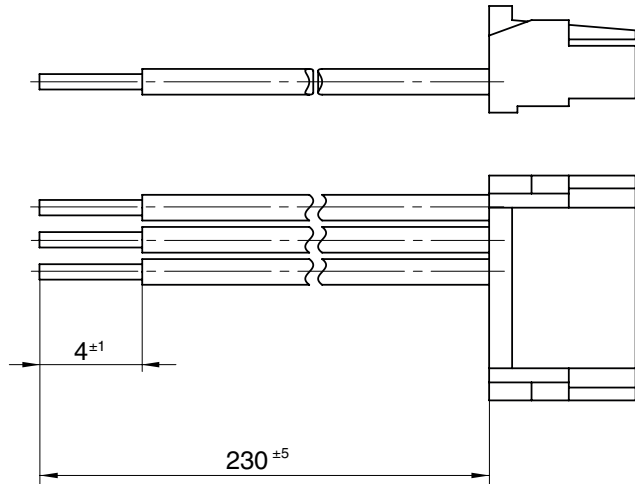
Dimension [mm]



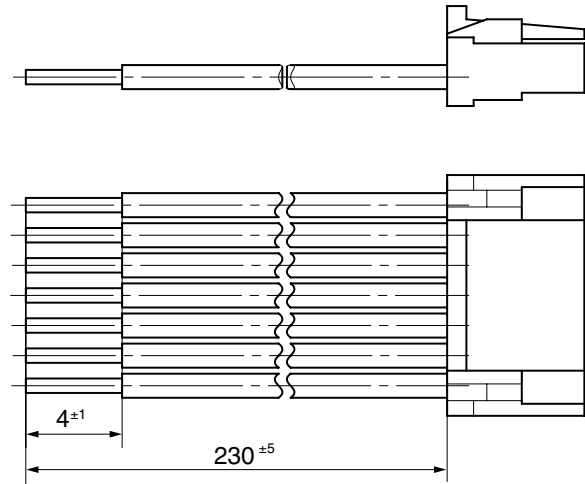
3-131-779



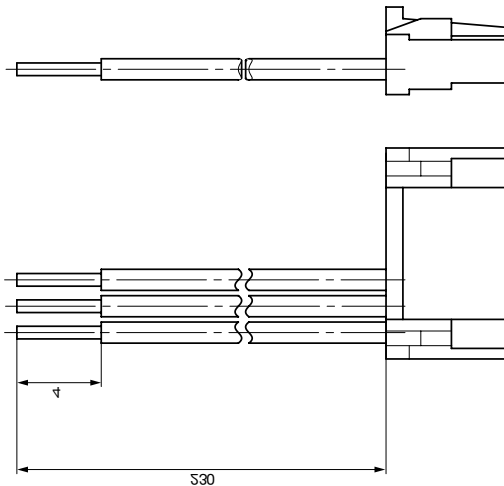
3-126-215



3-126-217



3-134-544



3-134-545

Variants

| Connector | Number of Wires | Length [mm] | Series Resistors for LED @ ... VDC | Switch type | Order Number |
|---------------|-----------------|-------------|------------------------------------|-------------|--------------|
| JST GHR-06V-S | 6 | 230 | no | MSS LI | 3-126-215 |
| JST GHR-06V-S | 3 | 230 | no | MSS | 3-126-217 |
| JST GHR-06V-S | 6 | 300 | 24 | MSS LI | 3-131-779 |
| JST GHR-07V-S | 7 | 230 | no | CHS2/THS | 3-134-544 |
| JST GHR-07V-S | 3 | 230 | no | CHS1 | 3-134-545 |

Availability for all products can be searched real-time: <https://www.schurter.com/en/info-center/support-tools/stock-check-distributors>

Packaging unit 10
