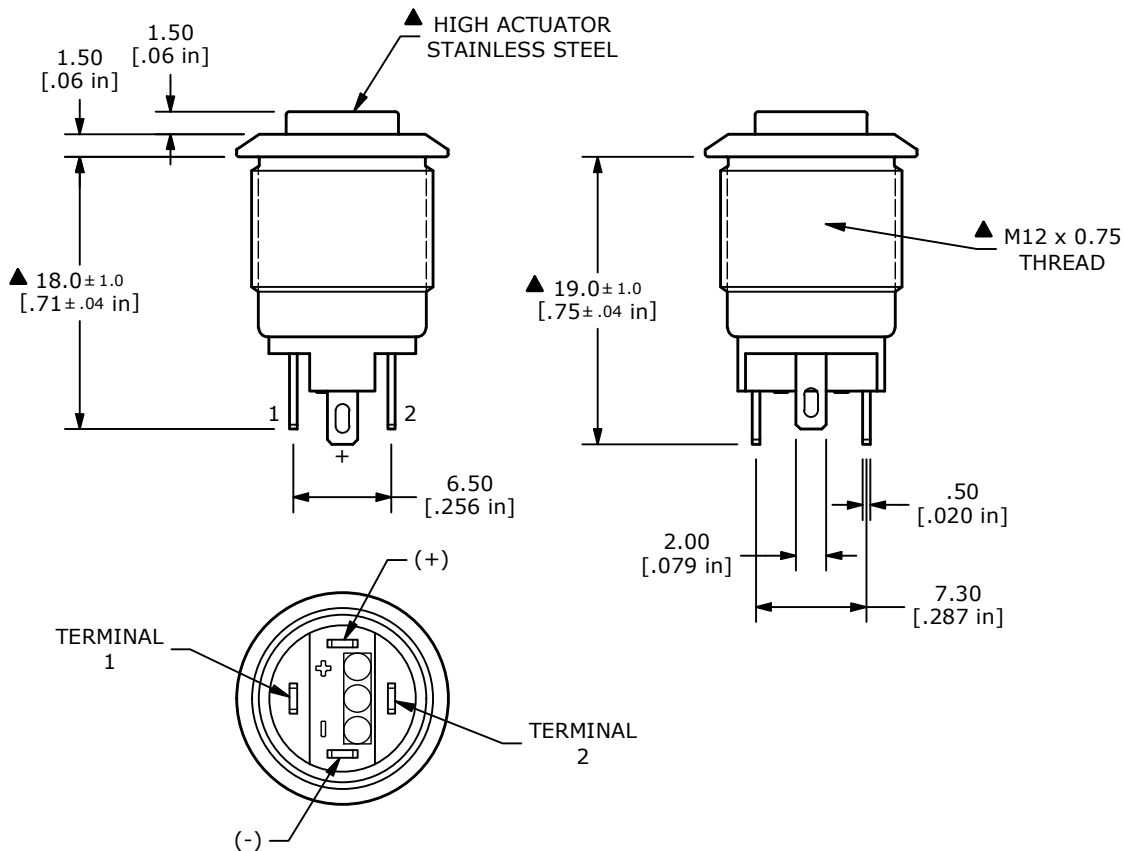
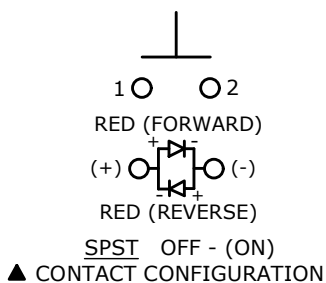


SWITCH FUNCTION	
POS. 1	POS. 2
OFF	(ON)
OPEN	1-2

(ON) = MOMENTARY



- NOTE:
1. ALL DIMENSIONS IN MM [INCH]
  2. GENERAL TOLERANCE: X.X = ± 0.4  
X.XX = ± 0.25
  3. TERMINAL NOS. FOR REF. ONLY
  4. RATING: 2A @ 36VDC
  5. CONTACT RESISTANCE: 50mΩ MAX.
  6. INSULATION RESISTANCE: 100MΩ @ 500VDC
  7. DIELECTRIC STRENGTH: 1,500V, RMS 50Hz, 1 MINUTE
  8. ELECTRICAL LIFE: 200,000 CYCLES
  9. CONTACT MATERIAL: SILVER
  10. OPERATING TEMPERATURE: -40°C to 85°C
  11. INGRESS PROTECTION: IP67
  12. LED VOLTAGE: BASE VOLTAGE 1.8V TYP.
  13. ▲ DENOTES CRITICAL PARAMETER
  14. HARDWARE INCLUDED: HEX NUT AND O-RING (NOT SHOWN)

REV	ECO NO	DESCRIPTION	DATE	BY
F	ECO-102661	print update	05/02/24	MW



OBJECT ID  
000002300

TITLE PV0H240SS-311				
SCALE	DATE	DR	DWG	REV
2:1	2/18/2016	RC	52-PV0H240SS311	F