



## 367 SERIES Indicator Base

### MECHANICAL / SPECIFICATIONS

BASE PART NUMBER:  
[367-8430-09-503](#)

MOUNTING:  
15/32" clearance hole (.468")  
MOUNTING ORIENTATION: Front

BULB BASE SIZE:  
T-1 3/4 Midget Flange

TERMINATION:  
Brass solder terminals, hot tinned  
with elongated slots

HOUSING FINISH:  
Aluminum housing, black anodized finish

HARDWARE:  
Internal-tooth lock washer and mounting nut:  
Steel, cadmium plated with yellow iridescent  
chromate finish

VOLTAGE / RESISTOR:  
Bulb Dependent

LENS CAP OPTIONS:  
Stovepipe  
Convex (with mechanical dimming options)

MILITARY COMPLIANT: Yes  
MILITARY CROSS #: LH89/1

CERTIFICATIONS & RATINGS  
RoHS Compliant w/6C exemption

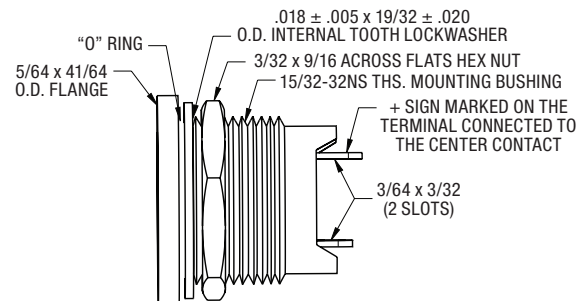
### FEATURES & BENEFITS

- Two terminals - fully insulated
- For mounting in 15/32" clearance hole
- Conforms to MIL-L-3661C
- Anti-rotation (locked) construction: provides for secure locking of the socket terminal assembly in the mounting bushing and of the center terminal to the insulating disc. The notched mounting bushing receives the matched insulating disc to prevent the rotation of the mounting bushing.
- Watertight lenses with mechanical dimming options available:
  - 160 series- complete blackout
  - 161 series- partial blackout

### APPLICATION

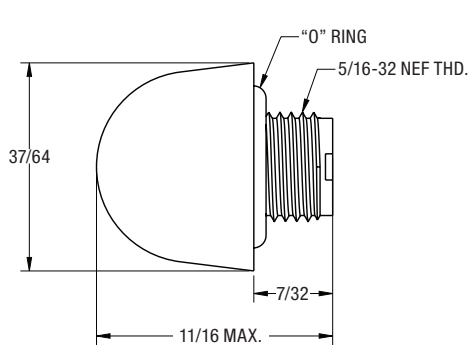
- Communication devices
- Navigation equipment
- Field medical equipment
- Tactical equipment
- Remote sensing devices
- UUV's, UAV's
- and many more...

### DIMENSIONS inches [mm]

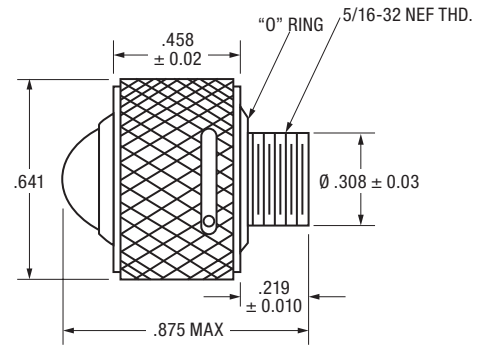


*Base, bulb, and cap are required for a complete indicator assembly and need to be purchased separately.*

DIMENSIONS inches [mm]



STOVEPIPE LENS CAP



CONVEX LENS CAP

ORDERING INFORMATION

STOVEPIPE LENS CAP  
Non-Diffused

	Type Designation	Part Number	Lens Cap Color
	LC35RN2	<a href="#">128-0931-003</a>	● Red
	LC35GN2	<a href="#">128-0932-003</a>	● Green
	LC35YN2	<a href="#">128-0933-003</a>	● Yellow
	LC35BN2	<a href="#">128-0934-003</a>	● Blue
	LC35CN2	<a href="#">128-0937-003</a>	○ Clear
	LC35RT2	<a href="#">128-0971-003</a>	● Red
	LC35GT2	<a href="#">128-0972-003</a>	● Green
	LC35YT2	<a href="#">128-0973-003</a>	● Yellow
	LC35BT2	<a href="#">128-0974-003</a>	● Blue
	LC35WT2	<a href="#">128-0975-003</a>	○ White

CONVEX LENS CAP  
Translucent Mechanical Dimming Full Black Out

	Type Designation	Part Number	Lens Cap Color
	LC36RD2	<a href="#">160-0111-203</a>	● Red
	LC36GD2	<a href="#">160-0112-203</a>	● Green
	LC36YD2	<a href="#">160-0113-203</a>	● Yellow
	LC36BD2	<a href="#">160-0114-203</a>	● Blue
	LC36CD2	<a href="#">160-0117-203</a>	○ Clear

Translucent Mechanical Dimming Partial Black Out

	LC37RD2	<a href="#">161-0111-203</a>	● Red
	LC37GD2	<a href="#">161-0112-203</a>	● Green
	LC37YD2	<a href="#">161-0113-203</a>	● Yellow
	LC37BD2	<a href="#">161-0114-203</a>	● Blue
	LC37CD2	<a href="#">161-0117-203</a>	○ Clear



Dialight reserves the right to make changes at any time in order to supply the best product possible. The most current version of this document will always be available at: [www.dialightsignalsandcomponents.com](http://www.dialightsignalsandcomponents.com)

Warranty Statement: Except for the warranty expressly provided for at: [www.dialight.com/resources/warranties/](http://www.dialight.com/resources/warranties/), Dialight disclaims any and all other warranties, express or implied, including, without limitation, any warranties of merchantability, fitness for a particular purpose, title, and noninfringement.