

Printview: Female connector; with locking levers; 7-pole; pin spacing 5 mm / 0.197 in; codable; with 2 locking latches; with coding finger; with latch - Item No.: 231-107/037-000

WAGO® online catalog / eShop

Female connector; with locking levers; 7-pole; pin spacing 5 mm / 0.197 in; codable; with 2 locking latches; with coding finger; with latch

Item No.: 231-107/037-000



Female connector; with locking levers; 7-pole; pin spacing 5 mm / 0.197 in; codable; with 2 locking latches; with coding finger; with latch

Marking

RoHS ✓
Compliant

Business data

Supplier	WAGO
Item no.	231-107/037-000
EAN	4044918339803
Content	1
Order amount	50
Customer item number	

Notes

Universal connection for all conductor types
Easy cable pre-assembly and on-unit wiring via vertical and horizontal
CAGE CLAMP® actuation
Integrated test ports
Coding option available

Technical data

Miscellaneous

No. of Poles	7
Total number of connection points	7
Total number of potentials	7
Color	gray
Ratings according to 1	IEC/EN 60664-1
Overvoltage category EN 1	III
Pollution degree (1)	2

Technical data	
Rated voltage EN (1) [V]	320 [V]
Rated surge voltage (1) [kV]	4 [kV]
Nominal current [A]	16 [A]
Overvoltage category EN 2	II
Degree of pollution (2)	2
Rated voltage EN (2) [V]	630 [V]
Bemessungsstossspannung (2) [kV]	4 [kV]
Nominal current (2) [A]	16 [A]
Overvoltage category EN 3	III
Degree of pollution (3)	3
Rated voltage EN (3) [V]	320 [V]
Rated surge voltage (3) [kV]	4 [kV]
Nominal current (3) [A]	16 [A]
Connection technology (1)	CAGE CLAMP®
Conductor type (1)	solid
Cross section from (1) [mm ²]	0.08 [mm ²]
Cross section up to (1) [mm ²]	2.5 [mm ²]
Cross section from (1) [AWG]	28 [AWG]
Cross section up to (1) [AWG]	12 [AWG]
Conductor type (2)	fine-stranded
Cross section from (2) [mm ²]	0.08 [mm ²]
Cross section up to (2) [mm ²]	2.5 [mm ²]
Conductor type (3)	fine-stranded (with insulated ferrule)
Cross section from (3) [mm ²]	0.25 [mm ²]
Cross section up to (3) [mm ²]	1.5 [mm ²]
Conductor type (4)	fine-stranded (with uninsulated ferrule)
Cross section from (4) [mm ²]	0.25 [mm ²]
Cross section up to (4) [mm ²]	2.5 [mm ²]
Stripped length from (1) [mm]	8 [mm]
Stripped length up to (1) [mm]	9 [mm]
Strip length from [inch] [in]	0.31 [in]
Strip length up to [inch] [in]	0.35 [in]
Stripped length (1) [in]	0.33 [in]
Material group	I

Printview: Female connector; with locking levers; 7-pole; pin spacing 5 mm / 0.197 in; codable; with 2 locking latches; with coding finger; with latch - Item No.: 231-107/037-000

Technical data	
Insulating material	Polyamide 6.6 (PA 6.6)
Flammability rating per UL 94	V0
Lower limit temperature [C]	-60 [C]
Upper temperature limit [C]	85 [C]
Clamping spring material	Chrome-nickel spring steel (CrNi)
Contact material	Copper alloy
Contact plating	tin-plated
Fire load [MJ]	0.221 [MJ]
Weight [g]	13.895 [g]
Width [mm]	51.6 [mm]
Width [in]	2.031 [in]
Height [mm]	14.3 [mm]
Height [in]	0.563 [in]
Length [mm]	29.6 [mm]
Length [in]	1.165 [in]
Pin spacing from [mm]	5 [mm]
Pin spacing up to [mm]	5 [mm]
Pin spacing from [in]	0.197 [in]
Pin spacing up to [in]	0.2 [in]

Approbation					
Item No.	Registration	Registration no.	Voltage [V]	Current [A]	Cross section [mm ² , AWG]
231-107/037-000	ABS	04-HG469925/1-PDA	400	16	5,0
231-107/037-000	BV	11915/A0	400	16	2,5
231-107/037-000	CCA	5764	250	16	0,08-2,5
231-107/037-000	CCA	2160224.01	250	16	0.08-2.50
231-107/037-000	CSA	154112-1466354	300	15	22-12
231-107/037-000	GL	17296-00HH	400	16	5,0
231-107/037-000	KEMA	2083746.02	250	16	0,08-2,5
231-107/037-000	KR	HMB05880-EL003	250/400	12/16	2,5
231-107/037-000	LR	91/20112(E3)	400	16	5,0
231-107/037-000	RMR	11130002	400	16	5,0

Printview: Female connector; with locking levers; 7-pole; pin spacing 5 mm / 0.197 in; codable; with 2 locking latches; with coding finger; with latch - Item No.: 231-107/037-000

Approbation

231-107/037-000	UL	E45171	600	15	28-12
231-107/037-000	UL	E45172	300	15	22-12

Accessories

Insulation stop

Item no.	Description	Pack. unit (Sub Pack)
231-670	Insulation stop; 0.08-0.2 mm ² / 0.2 mm ² "s"	200
231-671	Insulation stop; 0.25 - 0.5 mm ²	25
231-672	Insulation stop; 0.75 - 1 mm ²	25

Jumper

Item no.	Description	Pack. unit (Sub Pack)
231-902	Comb-style jumper bar; for 5 mm and 5.08 mm pin spacing; reduces conductor size to 1.5 mm ²	25
231-903	Comb-style jumper bar; 3-way; suitable for 231 Series female connectors; with 5 mm pin spacing; insulated	25
231-905	Comb-style jumper bar; 5-way; suitable for 231 Series female connectors; with 5 mm pin spacing; insulated	25
231-907	Comb-style jumper bar; 7-way; suitable for 231 Series female connectors; with 5 mm pin spacing; insulated	25
231-910	Comb-style jumper bar; 10-way; suitable for 231 Series female connectors; with 5 mm pin spacing; insulated	25

Strain relief

Item no.	Description	Pack. unit (Sub Pack)
232-607	Snap-on type strain relief housing; consists of strain relief support and housing; 7-pole; suitable for 5 mm pin spacing	25

Finger guard

Item no.	Description	Pack. unit (Sub Pack)
231-668	Lockout caps; for covering unused clamping units	100

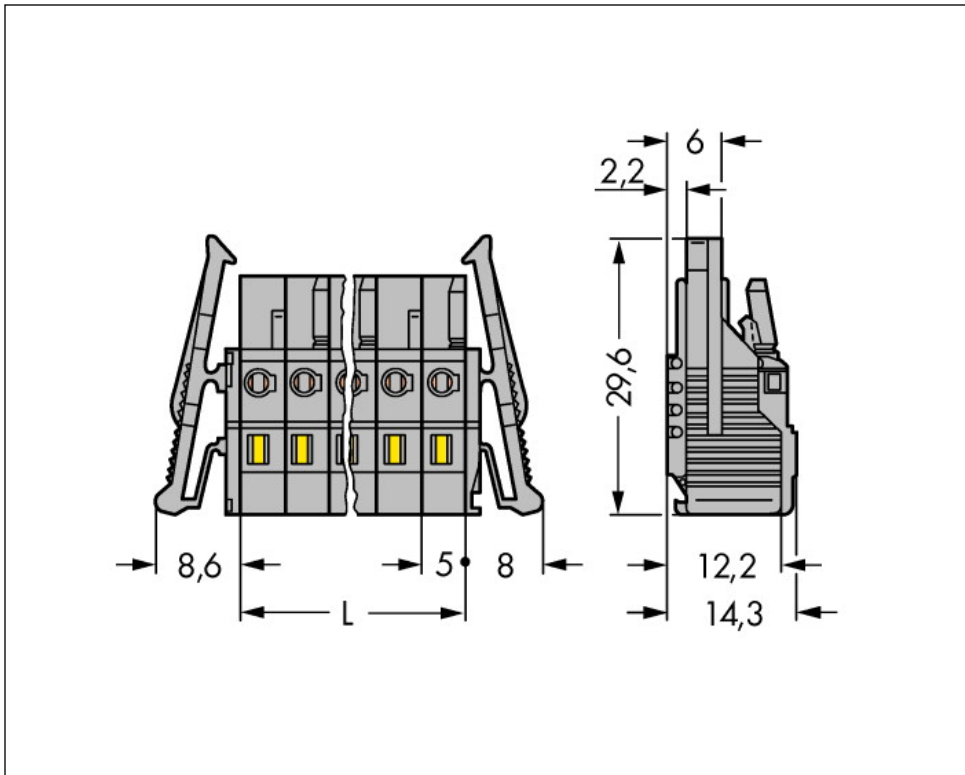
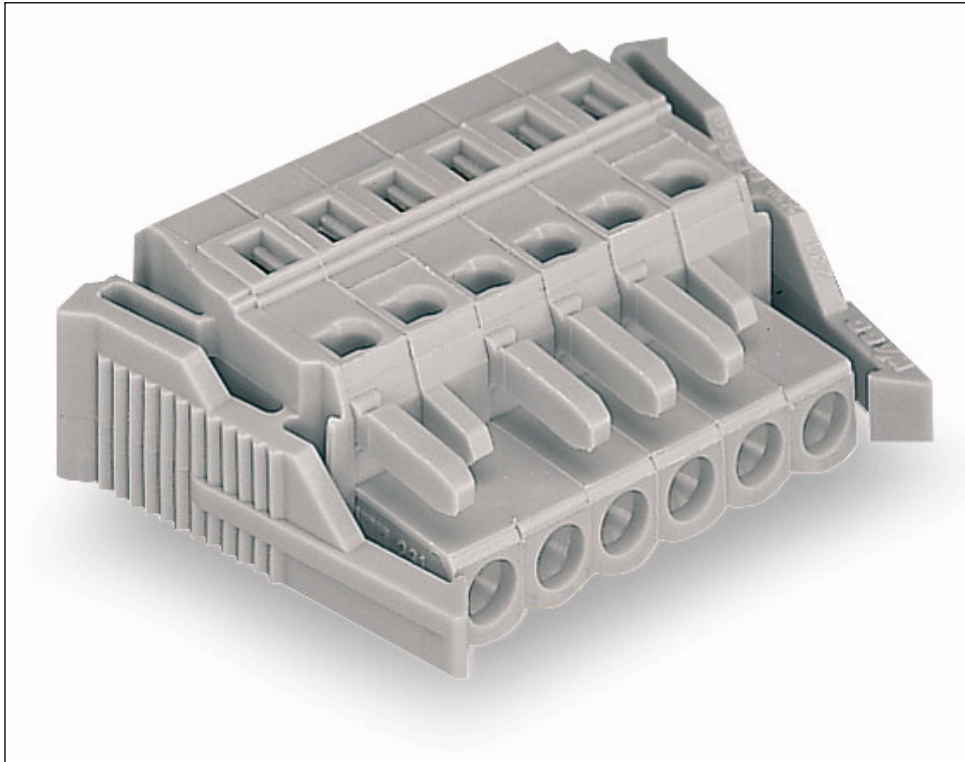
Accessories

General accessory

Item no.	Description	Pack. unit (Sub Pack)
209-132	Operating tool; for connecting comb-style jumper bar; 2-way; of insulating material	1
210-136	Test plug; 2 mm Ø; with 500 mm cable	1
210-137	Test plug; 2.3 mm Ø; with 500 mm cable	1
210-199	Stickers for operating instructions; for multi connection system	100
210-657	Operating tool with partially insulated shaft; blade (3.5 x 0.5) mm; short; suitable for 260, 261, 262, 264, 270, 280, 281, 869, 870 and 880 Series	1
210-658	Operating tool with partially insulated shaft; blade (3.5 x 0.5) mm; short; angled; particularly suitable for 280 Series actuator and sensor terminal blocks and also for Series 260, 261, 262, 264, 280, 281, 869, 870, 880, 2002,	1
210-720	Operating tool with partially insulated shaft; Type 2, blade (3.5 x 0.5) mm; suitable for 260, 261, 262, 264, 270, 280, 281, 290, 775, 776, 777, 769, 780, 781, 869, 870, 880, 2002, 2003, 2004, 2005 and 2022 Series	1
231-131	Push-button; for female and male connectors; loose	25
231-159	Operating tool; for male and female connectors with CAGE CLAMP®; of Series 231, 232, 721, 722, 723, 731, 732	25
231-231	Combination operating tool; for male and female connectors with CAGE CLAMP®	25
231-291	Operating tool; for male and female connectors with CAGE CLAMP®; loose	25
231-661	Test plugs for female connectors; for 5 mm and 5.08 mm pin spacing	25

Printview: Female connector; with locking levers; 7-pole; pin spacing 5 mm / 0.197 in; codable; with 2 locking latches; with coding finger; with latch - Item No.: 231-107/037-000

Images & drawings



Address

WAGO Kontakttechnik GmbH & Co. KG

Hansastr. 27

32423 Minden

Telefon: 0571/887-0

Fax: 0571/887-169

<http://www.wago.com>

© WAGO Kontakttechnik GmbH & Co. KG

Technische Änderungen und Irrtümer vorbehalten.