

Online Catalog

Welcome to Laird Technologies' Online Catalog.



HOME > ONLINE CATALOG

Antennas & Reception Solutions

Vehicular Antennas & Telematics
Base Station & Backhaul Antennas
In-Building, CPE, Access Point, &
Mobile Client Antennas
RFID Antennas
Mobile Radio Antennas

EMI Solutions

EMI Shielding & Gaskets
Specialty EMI Solutions
Ferrite Products

Thermal Management Solutions

Thermal Interface Materials
Thermally Conductive PCB Materials
Thermoelectric Assemblies
Thermoelectric Modules

Wireless Solutions & M2M

Telematics & Tracking Devices
Proprietary Radio Modules
ZigBee Radio Modules
Bluetooth Radio Modules
WLAN Radio Modules

Search Catalog

[All Categories](#) > [Ferrite Cores for Cables - Wiring Harnesses - Connectors](#) > [Round and Cylindrical Cores](#) > [Broadband Split / Snap-on Ferrite Cores for Round Cables](#) > [Item # 28A0392-0A0](#)

Request Information

Item # 28A0392-0A0, Broadband Split / Snap-on Ferrite Cores for Round Cables

Stock Locator

For retrofit and post-assembly operations, Laird Technologies offers a selection of "split" components. Similar in performance to Laird Technologies' one piece core designs, these split ferrite cores provide excellent common and differential mode EMI suppression on round cable assemblies. Lightweight, inexpensive plastic snap-on cases provide secure closure of the split cores onto the cable.

-  [Download PDF](#)
-  [Printable Page](#)
-  [Email This Page](#)
-  [Save To Favorites](#)

MORE IMAGES

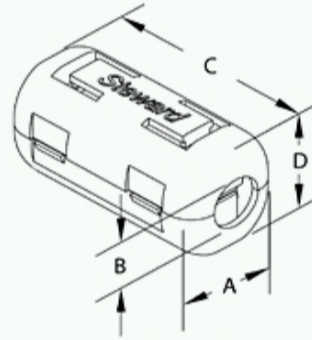
[Impedance Curves](#)

DOWNLOADS

[Part Number Nomenclature \(ASP\)](#)



[larger image](#)



[larger image](#)

Specifications	Features	Applications
Figure Number	1	
Case A	13.72 mm	
Case B	5.44 mm	
Case C	30.56 mm	
Case D	12.72 mm	
Max. Cable Diameter	0.187 in 4.75 mm	
Typical Z Ohms at 25 MHz	75	
Nominal Z Ohms at 100 MHz	170	
Typical Z Ohms at 300 MHz	320	
Material Type	Broad Band Material	
Product Type Code	Split round cores (Snap-Ons)	
Part Size Code	0392	
Additional Description	Plastic Case	
Case Color	White	

Request Information