

Data Sheet

RP025xxHBWC

Page 1/4

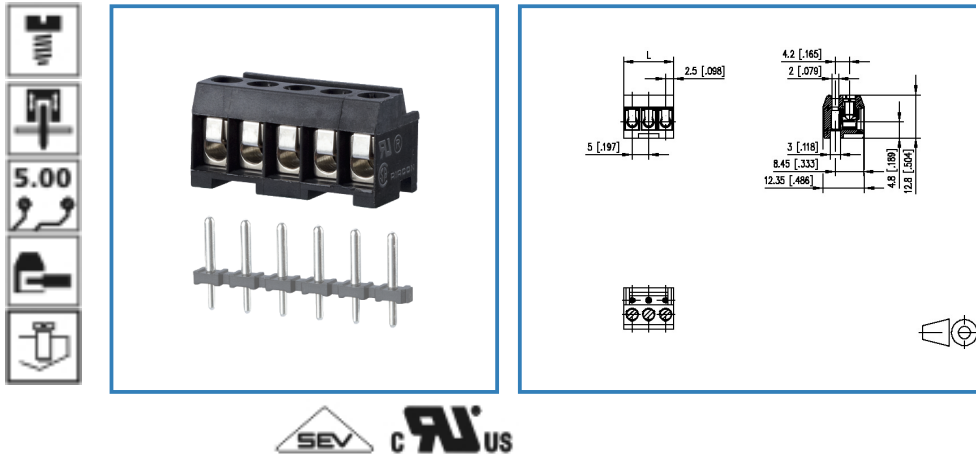
P/N

311071xx

xx=number of poles

2013/12/05

Illustration



see enlarged drawing at the end of the document

Product specification

- screw type terminal block, pluggable
- centerline 5.00 mm, direction of connection 90°
- wire protector, fittable without loss of poles
- color black
- Wire entry perpendicular to plug direction
- Connection data

cRUUS V / A / AWG 300 / 10 / 28 - 12

SEV 10 A / 250 V / 2.5 kV / 3 / IEC 61984 / 0.08 - 2.5 mm²

Data Sheet



RP025xxHBWC

Technical Data

General Data

Tightening torque SEV	0.5 Nm		
Tightening torque UL	6 lb-in		
min. number of poles	2		
max. number of poles	24		
Insulating material class	CTI 600		
clearance/creepage dist.	2.3 mm		
protection category	IP 00		
Overvoltage category	III	III	II
Pollution degree	3	2	2
Rated voltage	160 V	400 V	400 V
Rated test voltage	2.5 kV	2.5 kV	2.5 kV

Connection data

 V / A / AWG	300 / 10 / 28 - 12
	10 A / 250 V / 2.5 kV / 3 / IEC 61984 / 0.08 - 2.5 mm ²

Material

insulating material	PA66
flammability class	V0
terminal body material	CuZn
terminal body surface	Ni
screw surface	Zn Cr(VI)-frei/free
wire protector material	CuSn
wire protector surface	Sn
screw thread	M3

Climatic properties

upper limit temperature	105 °C
lower limit temperature	-40 °C

General

Tolerance	ISO 2768 -mH
-----------	--------------



Data Sheet

RP025xxHBWC

Page 3/4

P/N

311071xx

xx=number of poles

2013/12/05

Matching Part

P/N	Product name
310171	PR015xxVBHC Typ 017
310271	PR015xxVBVC Typ 027
310391	PT055xxHBHC Typ 039
310411	PT065xxVBEN Typ 041
310421	PT075xxVBEN Typ 042
314171	PM035xxVBHC Typ 417

Accessories

P/N	Product name
710084	710084
710085	710085
710121-2	710121
710122-2	710122
716846	716846



Data Sheet

RP025xxHBWC

Page 4/4

P/N

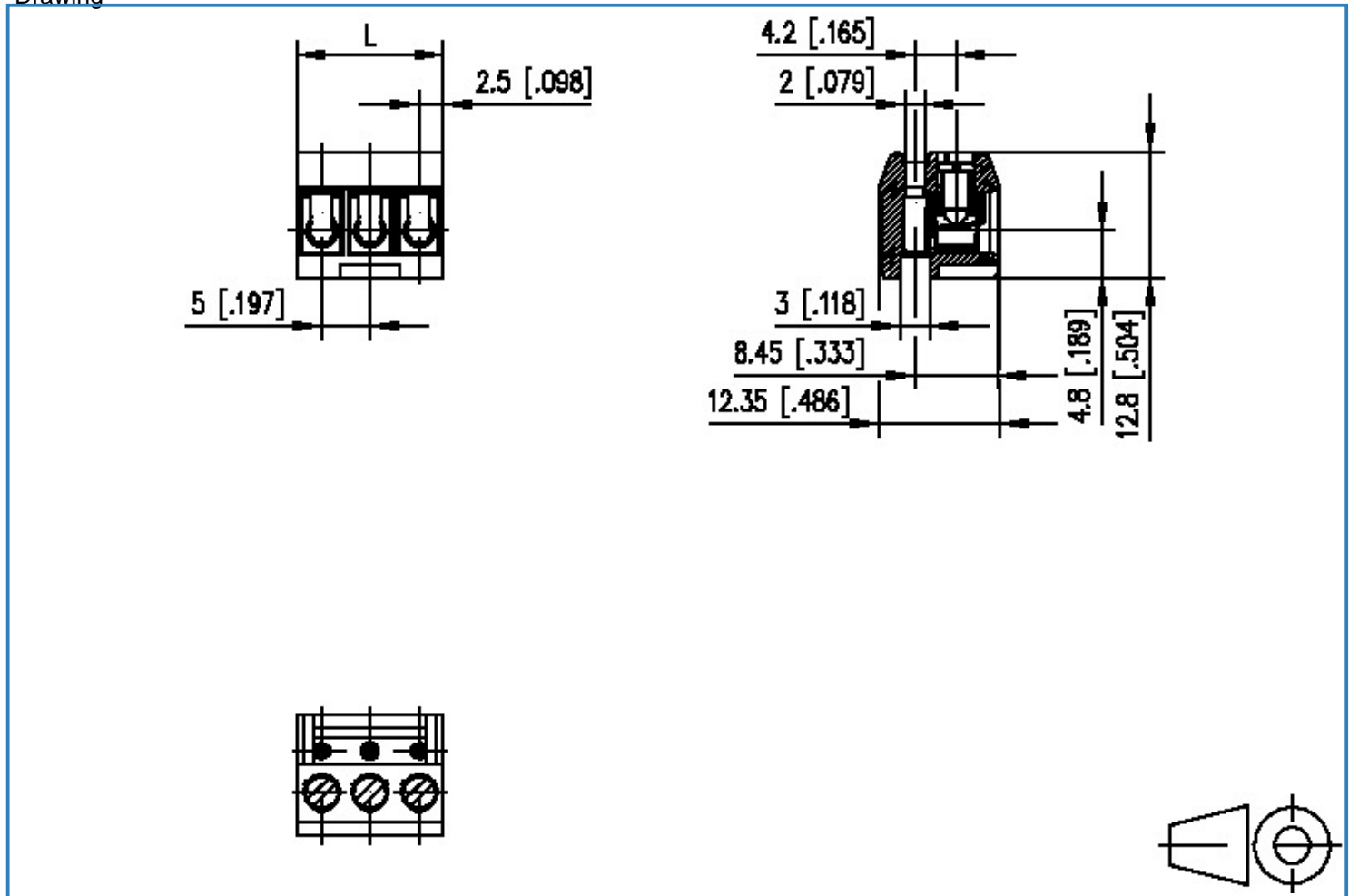
311071xx

xx=number of poles

2013/12/05

Illustration

Drawing



$L = (\text{pole size} - 1) \times \text{centerline} + 5 [0.197]$

