

specifications

All active equipment in the enclosure shall be bonded to a dedicated grounding bracket. The grounding bracket shall incorporate a space-saving design without stacking lugs, and it shall prevent lugs from twisting loose. An electrostatic discharge (ESD) port shall be mounted directly to the grounding bracket. There shall be a provision to ensure bonding between the grounding bracket and the enclosure. The grounding bracket shall be RoHS Compliant and listed for its purpose with a nationally recognized testing laboratory.



technical information

Performance level:	UL Listed, CSA Certified, and RoHS Compliant Mounts to #12-24 (M6), #10-32 (M5), #10-24 (M4) and smaller stud sizes Works with one-hole, 1/4" (M6) stud size lugs for #10, #8, and #6 AWG (6mm ² , 10mm ² , and 16mm ²) conductors
Dimensions:	Length: 4.10" (104.14mm) Width: .56" (14.22mm) Height: .79" (20.07mm)
Bracket Material:	High conductivity, electro tin-plated copper
Packaging:	One bracket with four #12-24 screws, split washer, one each #10-32 and #10-24 hex nut, grounding washer, and ESD protection sticker.

key features and benefits

Anti-rotation design	Prevents one-hole lugs from loosening to ensure reliability and maximize uptime
Grounding washer	Provides a high performance electrical bond eliminating the need to manually remove paint, saves labor, and lowers installed cost
Built-in ESD port	Features a convenient docking station for ESD wrist strap to help protect network equipment and maximize uptime
Compact design	Incorporates all necessary grounding components into one kit to simplify installation and save space
UL Listed and CSA Certified	Ensures a high level of safety and reliability
RoHS Compliant	Complies with environmental requirements allowing greater design flexibility










applications

PANDUIT® STRUCTUREDGROUND™ Enclosure Grounding Kit provides equipotential bonding and protection from static electricity for equipment housed in enclosures. Equipment can easily be added or moved without disturbing other grounding connections as STRUCTUREDGROUND™ Enclosure Grounding Kit provides a discrete grounding point for each

piece of equipment within the enclosure. This highly versatile solution easily mounts to a variety of enclosures. STRUCTUREDGROUND™ Enclosure Grounding Kit is also an ideal solution for zone cabling applications that require grounding and bonding of network equipment in telecommunication enclosures.

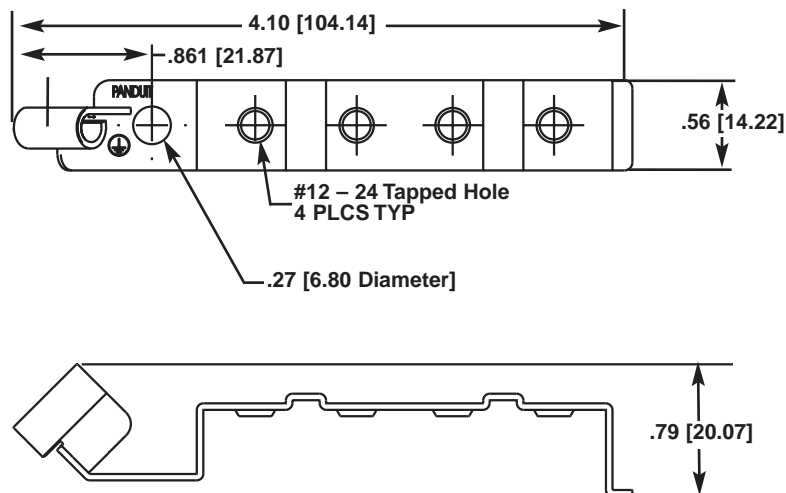
For the complete STRUCTUREDGROUND™ Grounding System offering, refer to www.panduit.com/dcgrounding.

www.panduit.com

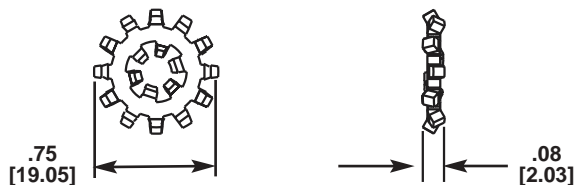
Enclosure Grounding Kit	 
One bracket, hardware, and sticker:	PZAEGK
Related Products	
PANZONE® Active Wall Mount Enclosure	 
Wall mount enclosure, 3 RUs for both passive and active network equipment:	PZAEWM3
PANZONE® Building Automation Enclosure	
BAS enclosure with 3 RUs and perforated panel:	PZBASE3
Code Conductor, One-Hole, Standard Barrel with Window Lug	 
#10 AWG (6mm²) lug, 1/4" (M6) stud size:	LCA10-14-L
#8 AWG (10mm²) lug, 1/4" (M6) stud size:	LCA8-14-L
#6 AWG (16mm²) lug, 1/4" (M6) stud size:	LCA6-14-L
Code/Flex Conductor Copper HTAP and Clear Cover	 
#2 – #6 AWG (25 – 16mm²) run, #2 – #6 AWG (25 – 16mm²) tap	HTWC2-2-1
250 kcmil – #2 AWG (120 – 35mm²) run, #2 – #6 AWG (25 – 16mm²) tap	HTWC250-2-1
BICSI/J-STD-607-A Telecommunications Grounding Busbars (1/4" (6.35mm) thickness x 2" (50.80mm) height)	
10" (254mm) length, mounting positions: four 1/4" (M6) stud hole with 5/8" (16mm) spacing and three 3/8" (M8) stud hole with 1" (25.40) spacing:	GB2B0304TPI-1
12" (304.80mm) length, mounting positions: six 1/4" (M6) stud hole with 5/8" (16mm) spacing and three 3/8" (M8) stud hole with 1" (25.40) spacing:	GB2B0306TPI-1
20" (508mm) length, mounting positions: twelve 1/4" (M6) stud hole with 5/8" (16mm) spacing and three 3/8" (M8) stud hole with 1" (25.40) spacing:	GB2B0312TPI-1

STRUCTUREDGROUND™ Enclosure Grounding Kit

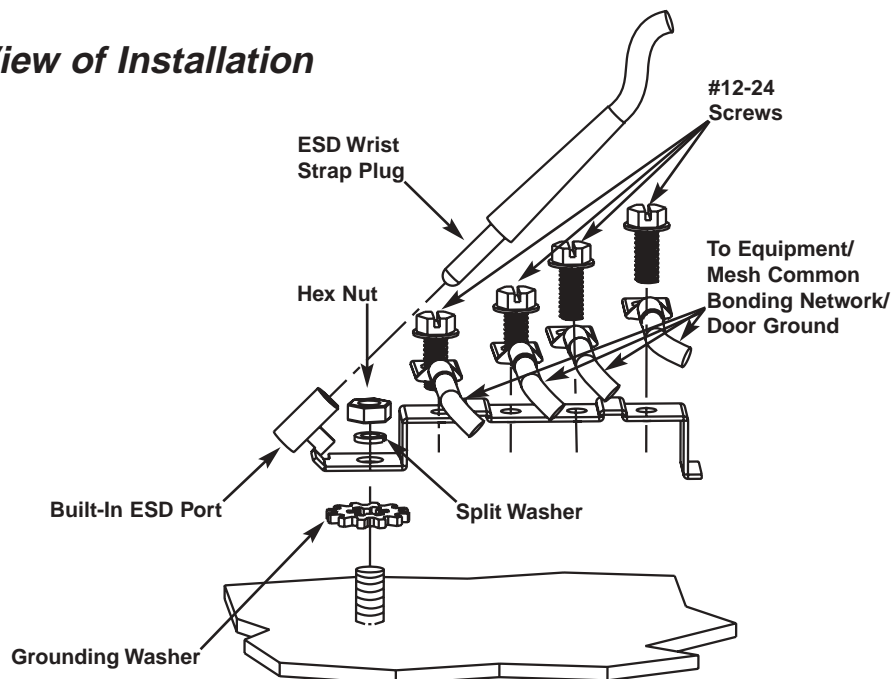
Grounding Bracket



Grounding Washer



Exploded View of Installation



Dimensions are in inches [Dimensions in brackets are in millimeters]

WORLDWIDE SUBSIDIARIES AND SALES OFFICES

PANDUIT CANADA
Markham, Ontario
cs-cdn@panduit.com
Phone: 800.777.3300

PANDUIT EUROPE LTD.
London, UK
cs-emea@panduit.com
Phone: 44.20.8601.7200

PANDUIT SINGAPORE PTE. LTD.
Republic of Singapore
cs-ap@panduit.com
Phone: 65.6379.6700

PANDUIT JAPAN
Tokyo, Japan
cs-japan@panduit.com
Phone: 81.3.3767.7011

PANDUIT LATIN AMERICA
Jalisco, Mexico
cs-la@panduit.com
Phone: 52.333.777.6000

PANDUIT AUSTRALIA PTY. LTD.
Victoria, Australia
cs-aus@panduit.com
Phone: 61.3.9794.9020

For a copy of PANDUIT product warranties, log on to www.panduit.com/warranty



For more information
Visit us at www.panduit.com/pcsp03
Contact Customer Service by email: cs@panduit.com
or by phone: 800-777-3300 and reference PCSP03

©2006 PANDUIT Corp.
ALL RIGHTS RESERVED.
Printed in the U.S.A.
SA-PCSP03
11/2006