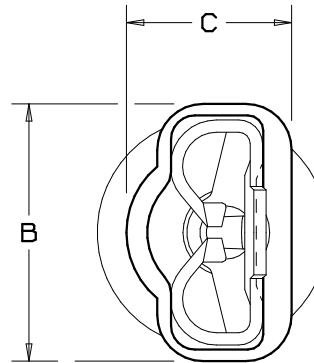
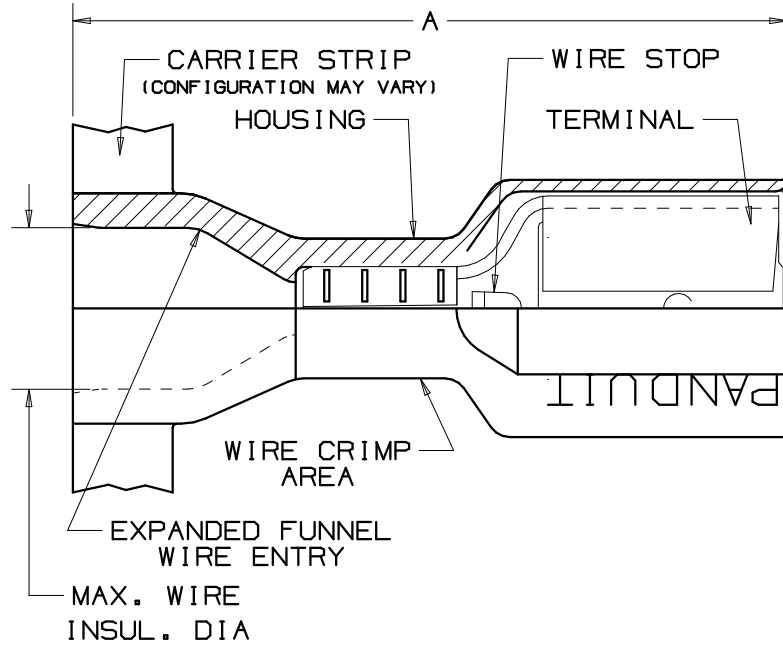


THIS COPY IS PROVIDED ON A RESTRICTED BASIS AND IS NOT TO BE USED IN ANY WAY DETRIMENTAL TO THE INTERESTS OF PANDUIT CORP.



NOTES:

- UL LISTED AND CSA CERTIFIED FOR:
 - A. 600V MAX VOLTAGE RATING
 - B. 105°C (221°F) MAX TEMP RATING
 - C. STRANDED AWG COPPER WIRE ONLY
 - D. 26,7-53,4N INITIAL INSERTION/WITHDRAWAL FORCE
- PACKAGE QTY: -2K=2000 PIECES
CONTINUOUS MOLDED STRIP CARRIER
- MATERIAL:
 - A. STAMPING-BRASS, TIN PLATED
 - B. HOUSING-TYPE 66 NYLON
- DIMENSIONS IN BRACKETS ARE IN INCHES
- COLORS ARE TRANSLUCENT

		PANDUIT PRESS					
		CP-851 <i>DISCONTINUED</i>	CP-860 <i>DISCONTINUED</i>	CP-861	CP-862	CP-871 60HZ	CP-871/E 50HZ
APPLICATORS	CA-800		X	X			
	CA-800EZ	X				X	X
	CA9				X	X	X

PART NUMBER	TAB SIZE	WIRE RANGE mm ² (AWG)	COLOR (note 5)	MAX. INSUL.	DIMENSIONS mm		
					A ± ^{0,8} (.03)	B ± ^{0,5} (.02)	C ± ^{0,5} (.02)
DMNF1-63F1BX-2K	6,3 X 0,8 (.250 X .032)	0,5-1,0 (22-18)	RED	5,3 (.21)	23,6 (.93)	8,9 (.35)	5,5 (.22)
DMNF1488F1BX-2K	5,2/4,8 X 0,8 (.205/.187 X .032)	0,5-1,0 (22-18)	RED	5,3 (.21)	22,1 (.87)	7,9 (.31)	5,5 (.22)
DMNF1485F1BX-2K	5,2/4,8 X 0,5 (.205/.187 X .020)	0,5-1,0 (22-18)	RED	5,3 (.21)	22,1 (.87)	7,9 (.31)	5,5 (.22)
DMNF2-63F1BX-2K	6,3 X 0,8 (.250 X .032)	1,5-2,5 (16-14)	BLUE	6,1 (.24)	23,6 (.93)	8,9 (.35)	5,5 (.22)
DMNF2488F1BX-2K	5,2/4,8 X 0,8 (.205/.187 X .032)	1,5-2,5 (16-14)	BLUE	6,1 (.24)	22,1 (.87)	7,9 (.31)	5,5 (.22)
DMNF2485F1BX-2K	5,2/4,8 X 0,5 (.205/.187 X .020)	1,5-2,5 (16-14)	BLUE	6,1 (.24)	22,1 (.87)	7,9 (.31)	5,5 (.22)

 LISTED
20H3
E78522

 CERTIFIED
LR31212

A41646_03

03	3/06	DAW	DAW	ADDED PANDUIT PRESS & APPLICATOR CHART	TRO0083		
02	11/04	KLFU	SKB	UPDATED DRAWING; ADDED CP-862, CA9, CD9-6B, CD9-8B TO TOOL CHART	12453	SKB	TRO
01	7/98	TM	RS	UPDATED WIRE RANGES AND PART NUMBERS	07035	LA	DH
00	9/97	TM	WB	RELEASED	06192	LA	DH
REV	DATE	BY	CHK	DESCRIPTION	ECN #	CUST	PM

PANDUIT

CORP.

TINLEY PARK, ILLINOIS

METRIC DISCO-FEMALE DISCONNECTS
EXPANDED FULLY INSULATED
6,3 X 0,8 5,2/4,8 X 0,8/0,5

DRAWN BY T SMA CHK'D WB SCALE NONE DRAWING NO. A41646