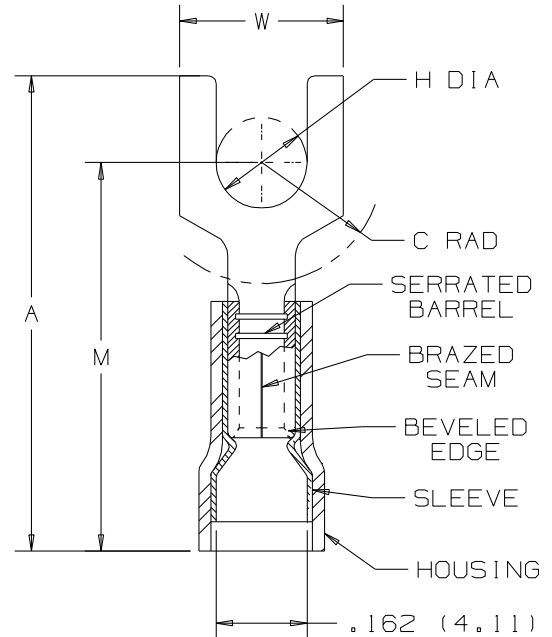


THIS COPY IS PROVIDED ON A RESTRICTED BASIS AND IS NOT TO BE USED IN ANY WAY DETRIMENTAL TO THE INTERESTS OF PANDUIT CORP.

PANDUIT PART NUMBER	STUD SIZE	DIMENSIONS in.				
		A $\pm .03$ (.76)	W $\pm .01$ (.25)	C MIN	M $\pm .03$ (.76)	H $\pm .01$ (.25)
PNF14-6F	#6	.78 (19.79)	.28 (7.14)	.20 (5.05)	.64 (16.23)	.15 (3.73)
PNF14-8F	#8	.84 (21.34)	.31 (7.92)	.23 (5.89)	.67 (17.12)	.17 (4.39)
PNF14-10F	#10	.86 (21.77)	.34 (8.64)	.25 (6.38)	.69 (17.63)	.20 (5.03)
PNF14-14F	1/4"	1.03 (26.14)	.44 (11.18)	.33 (8.46)	.78 (19.79)	.27 (6.81)

NOTES:

- UL LISTED AND CSA CERTIFIED FOR:
 - 600V, MAX. VOLTAGE RATING
 - #16-14 AWG SOLID OR STRANDED COPPER WIRE
 - 221° F (105° C) MAX. TEMP. RATING
- MATERIAL:
 - STAMPING - .03" (.762) THK COPPER, TIN PLATED
 - HOUSING - NYLON, BLUE
 - SLEEVE - BRASS, TIN PLATED
- SEE www.panduit.com FOR PART NUMBER SUFFIX DESIGNATION FOR PACKAGE SIZE.
- DIMENSIONS IN BRACKETS ARE IN MILLIMETERS
- INSTALLATION TOOLS:
 - UL LISTED AND CSA CERTIFIED: CT-1550, CT-1551, CT-2500 WITH CT-2550CH CRIMP HEAD FOR #18-#14
 - UL LISTED AND CSA CERTIFIED: CT100A FOR #16-#14
 - UL LISTED: CT-400, CT-460 FOR #18-#14
 - PANDUIT APPROVED: CT-160, CT-260
- WIRE STRIP LENGTH: $7/32'' \pm 1/32''$



.162 (4.11)
MAX. WIRE
INSUL. DIA.
.087 (2.21)
MIN. WIRE
INSUL. DIA.



LISTED
587H
E52164



CERTIFIED
LR3122

N41261AA/06

PANDUIT

CORP.

TINLEY PARK, ILLINOIS

#16-14 BARREL FORK, NYLON INSULATED
FUNNELED WIRE ENTRY, .162 (4.11)
MAX WIRE INSUL. DIA.

06 12/20/11 FS Obsolete installation tools removed, UL information clarified, general dimensional updates.

REV	DATE	BY	CHK	DESCRIPTION	ECN #	PM	APP	DRAWN BY	CHK'D	SCALE	DRAWING NO.
								DAW	CJH	NONE	A41261