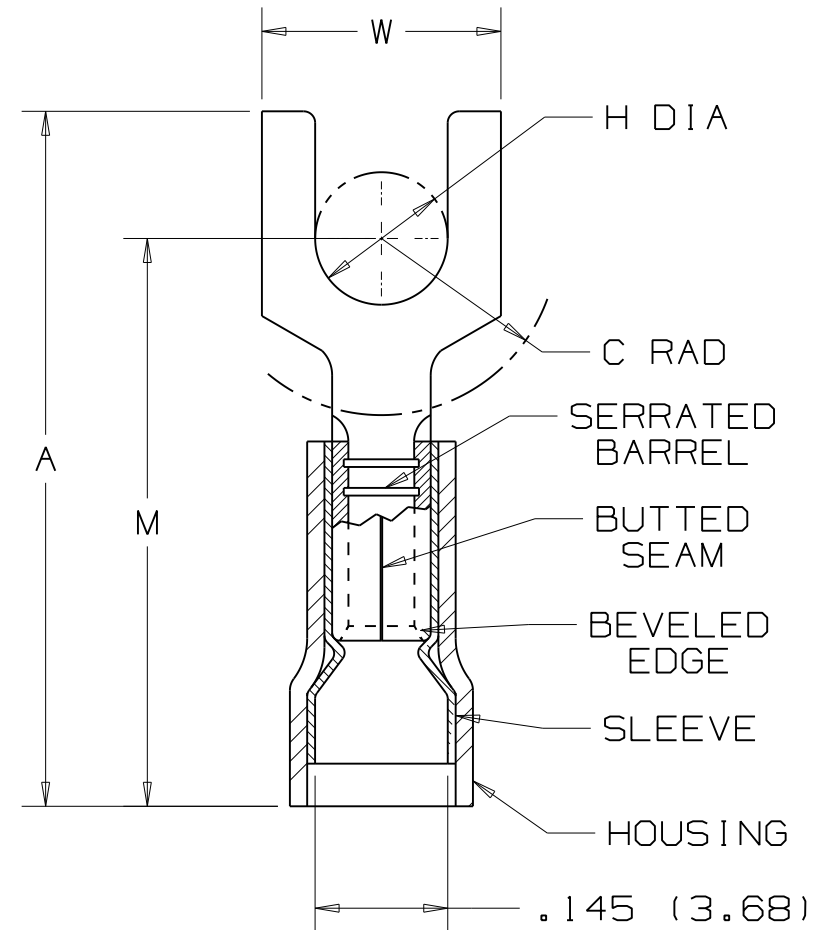


PANDUIT PART NUMBER	STUD SIZE	DIMENSIONS in.				
		A $\pm .03$ (.76)	W $\pm .01$ (.25)	C MIN	M $\pm .03$ (.76)	H $\pm .01$ (.25)
PNF 18-6F	#6	.78 (19.79)	.30 (7.54)	.20 (4.95)	.64 (16.23)	.15 (3.73)
PNF 18-8F	#8	.84 (21.34)	.32 (8.18)	.23 (5.81)	.67 (17.12)	.17 (4.39)
PNF 18-10F	#10	.86 (21.77)	.35 (8.94)	.25 (6.30)	.69 (17.63)	.20 (5.03)
PNF 18-14F	1/4"	1.03 (26.14)	.44 (11.18)	.33 (8.41)	.78 (19.79)	.27 (6.79)

NOTES:

- UL LISTED AND CSA CERTIFIED FOR:
 - 600 V MAX VOLTAGE RATING (1000V. MAX. IN SIGNS, FIXTURES AND LUMINARIES)
 - 221° (105°C) MAX TEMP RATING
 - #22-18 AWG SOLID OR STRANDED COPPER WIRE
- MATERIAL:
 - STAMPING: .032 (.81) THICK COPPER, TIN PLATED
 - HOUSING: RED NYLON
 - SLEEVE: BRASS, TIN PLATED
- SEE www.panduit.com FOR PART NUMBER SUFFIX DESIGNATION FOR PACKAGE SIZE.
- WIRE STRIP LENGTH: $7/32 +^{1/32}_{-0}$ (5.6 \pm .8)
- DIMENSIONS IN BRACKETS ARE IN MILLIMETERS
- INSTALLATION TOOLS:
 - UL LISTED AND CSA CERTIFIED: CT-100A, CT-400, CT-1550, CT-1551, CT-2500 WITH CT-2550CH CRIMP HEAD
 - PANDUIT APPROVED: CT-160, CT-260



LISTED
587H
E52164



CERTIFIED
LR31212

.145 (3.68)
MAX. WIRE
INSUL. DIA.
.070 (1.78)
MIN. WIRE
INSUL. DIA.

N41260BA/06

06	12/20/11	FS		Obsolete installation tools removed, UL information clarified, general dimensional updates.				<p>TINLEY PARK, ILLINOIS</p> <p>#22-18 BARREL FORK, NYLON INSULATED FUNNELED WIRE ENTRY, .136 (3.45) MAX WIRE INSUL. DIAMETER</p>
05	01/01	KMD		CAD FILE SPEC. WAS N41260AA_PCD_04				
04	12/96	JAMB	RLS	ADDED DIM., "MIN. WIRE INSUL. DIA." UPDATED NOTES	05373	LA		
03	3/95	MS	RLS	UPDATED NOTES AND DIMENSIONS	03052	LA		
REV	DATE	BY	CHK	DESCRIPTION	ECN#	CUST	APP	DRAWN BY: DAW CHK'D: LA SCALE: NONE DRAWING NO.: A41260