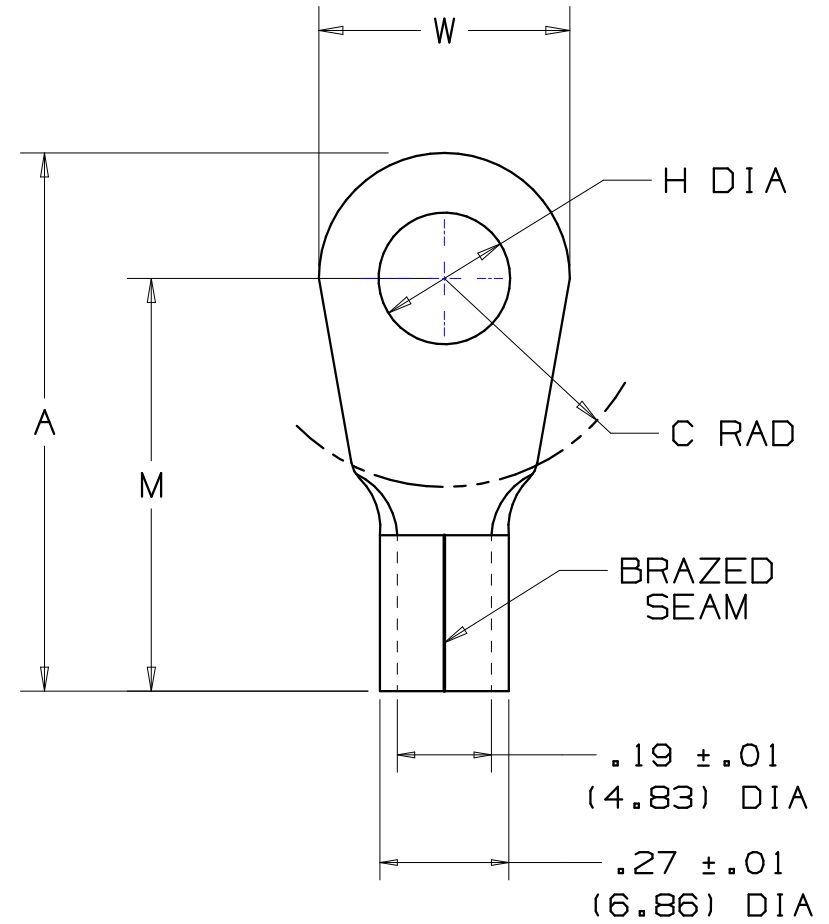


PANDUIT PART NUMBER		STUD SIZE	DIMENSIONS in.				
PREFIX	PK		A $\pm .03$	W $\pm .01$	C $\pm .02$	M $\pm .03$	H $\pm .01$
*P8-8RN	-Q -T	#8	1.09 (27.69)	.36 (9.14)	.43 (10.92)	.91 (23.11)	.17 (4.32)
P8-8R	-Q -T	#8	1.12 (28.45)	.42 (10.67)	.43 (10.92)	.91 (23.11)	.17 (4.32)
P8-10R	-Q -T	#10	1.14 (28.96)	.47 (11.94)	.43 (10.92)	.91 (23.11)	.20 (5.08)
P8-14R	-Q -T	1/4"	1.14 (28.96)	.47 (11.94)	.43 (10.92)	.91 (23.11)	.27 (6.86)
P8-56R	-Q -T	5/16"	1.25 (31.75)	.59 (14.99)	.51 (12.95)	.95 (24.13)	.33 (8.38)
P8-38R	-Q -T	3/8"	1.25 (31.75)	.59 (14.99)	.51 (12.95)	.95 (24.13)	.39 (9.91)
P8-12R	-Q -T	1/2"	1.36 (34.54)	.82 (20.83)	.54 (13.72)	.95 (24.13)	.52 (13.21)



NOTES:

- UL LISTED FOR: (EXC. P8-8RN)
A. 303° F (150° C) MAX OPERATING TEMP
B. #8 AWG STRANDED COPPER WIRE
- PACKAGE QTY: STD. PKG. -Q=25
BULK PKG. -T=200
- MATERIAL:
A. STAMPING - .040" (1.02) THK COPPER,
TIN PLATED
- DIMENSIONS IN BRACKETS ARE IN MILLIMETERS
- INSTALLATION TOOL: CT-700
- WIRE STRIP LENGTH: 3/8 $^{+1/32}_{-0}$ (9.5 $^{+.8}_{-0}$)

* P8-8RN IS NOT UL LISTED OR CSA CERTIFIED



LISTED
587H
E52164



CERTIFIED
LR31212

A41215_05



CORP.

TINLEY PARK, ILLINOIS

#8 BARREL NON-INSULATED RING TONGUE
.280 (7.11) MAX. WIRE INSUL. DIAMETER

REV	DATE	BY	CHK	DESCRIPTION	ECN #	CUST	PM	DRAWN BY	CHK'D	SCALE	DRAWING NO.
05	7/06	DAW	DAW	ADDED P8-8RN	TR00153			DAW		NONE	A41215
04	1/01	KMD	SKB	CAD FILE SPEC. WAS N41215AA_PCD_02	08938	JAC	CCH				
03	5/95	MS		UPDATED NOTES AND DIMENSIONS	03320						
02	7-88	DW		REDRAWN WITH REVISIONS							