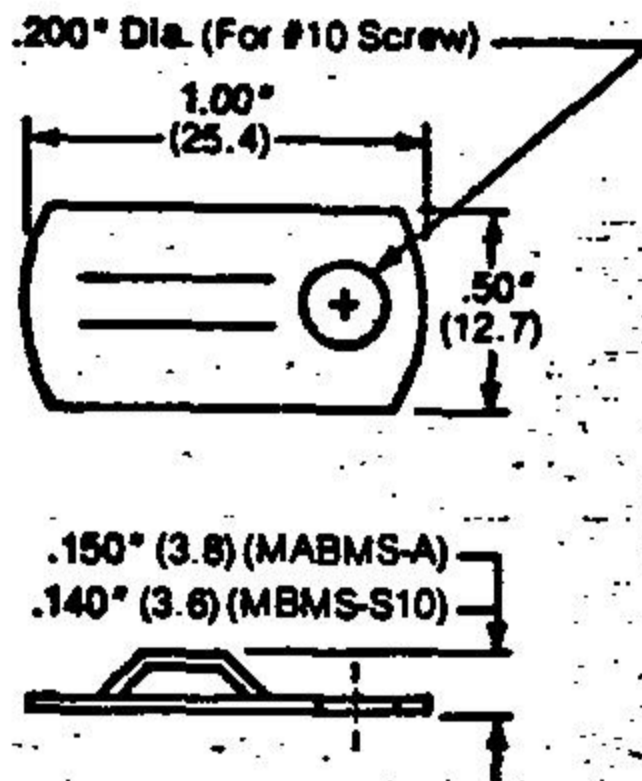
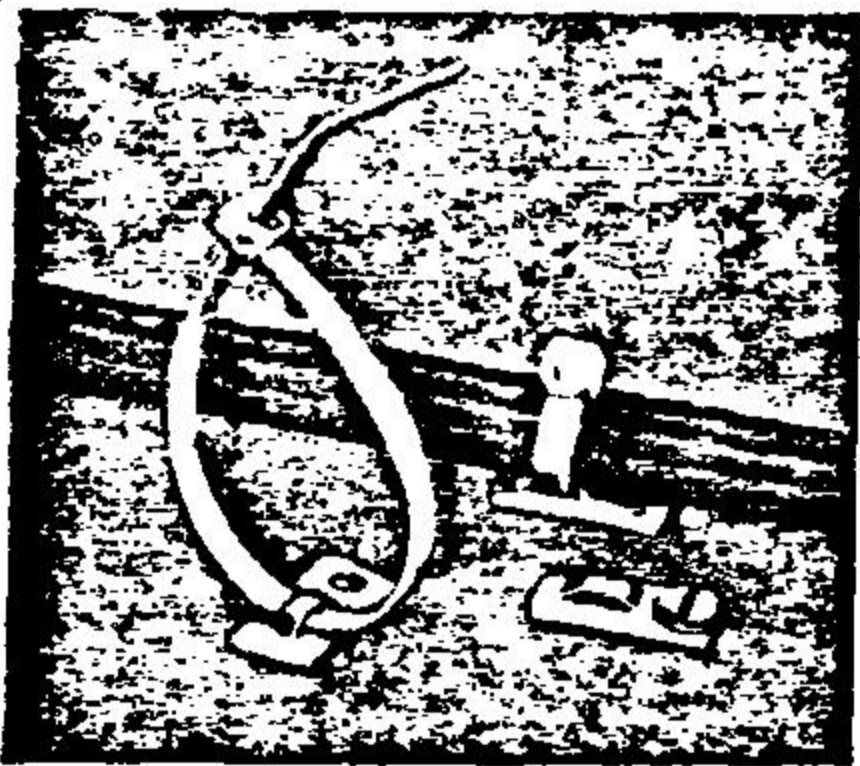


Metal Mount Solvent or screw applied aluminum mounting base for a secure support in demanding harnessing applications. Material: Aluminum



Adhesive applied

Activated with PANDUIT MMS8 Solvent. Should be applied to clean, flat metal or other non-porous surface.

Part Number	Mounting Method	Used With Cable Ties*	Pkg. Qty.	
			Std. Pkg.	Bulk Pkg.
MABMS-A	MMS Solvent	M, I, S	100	1000



MMS8 Solvent

(Order By Number of Cans -2 cans/pkg.)

(Non-Flammable, Chlorinated)

Provided in four oz. cans with felt dauber applicator cap, two cans per pkg. Once can is used to clean the surface, the other to activate the adhesive on 150 to 200 MABMS-A Mounts.

Screw applied

U.L. Recognized

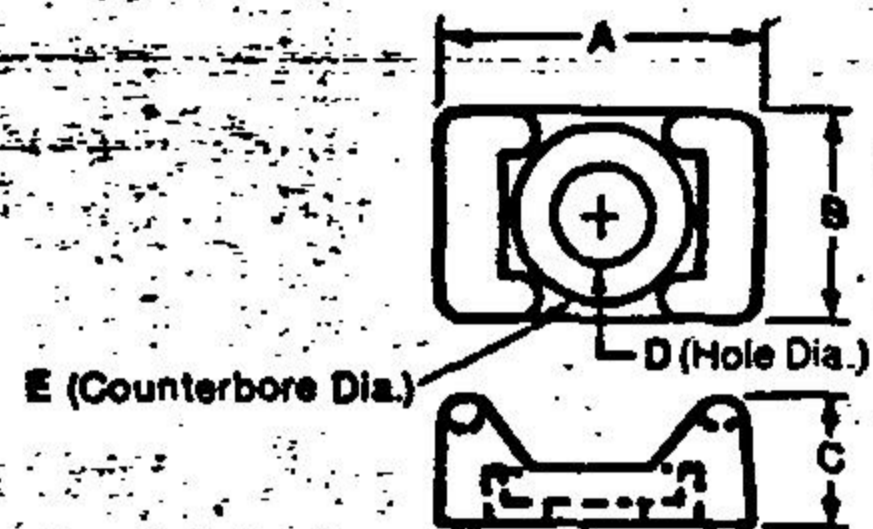
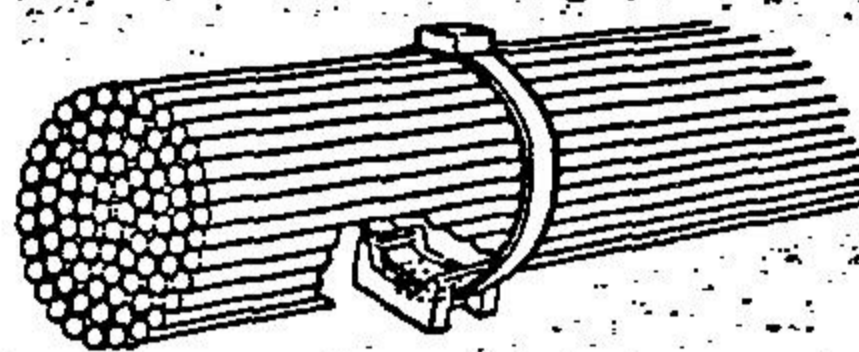
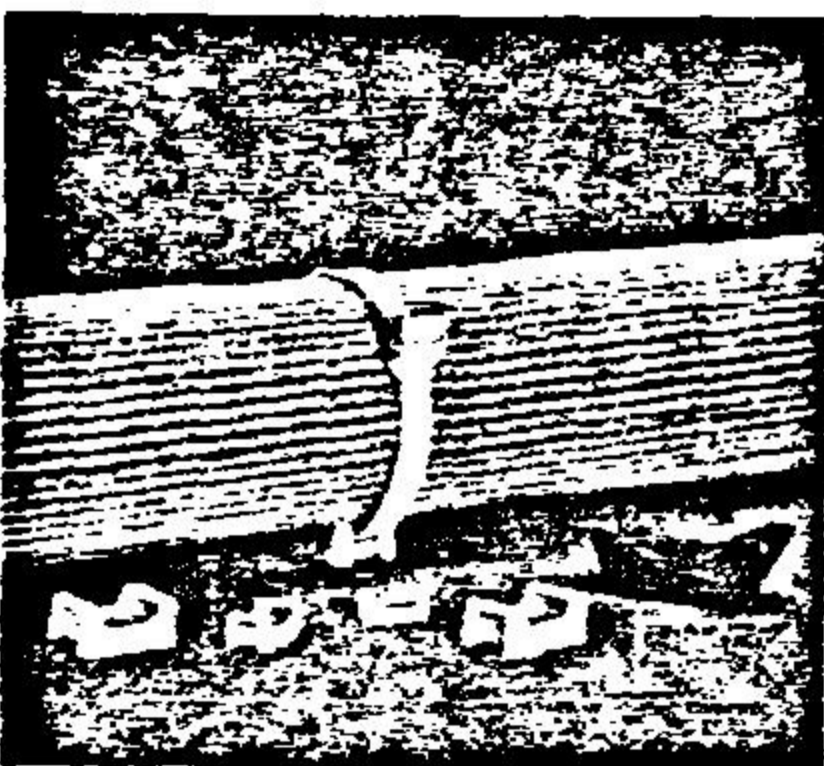
The metal mount supplied without the adhesive backing.

Part Number	Mounting Method	Used With Cable Ties*	Pkg. Qty.	
			Std. Pkg.	Bulk Pkg.
MBMS-S10	#10 Screw	M, I, S	100	1000

ECO 3861
PAGE 4

Tie Mounts

Four sizes that are screw applied to meet demanding applications in the most economical way. Two styles.



TM Mounts

Screw applied. Unique cradle design provides maximum stability and rigidity to the wire bundle.

Material: Nylon
Color: Natural or weather-resistant black (bulk pkg. only)

Part Number	Used With Cable Ties*	Mtg. Method†	Dimension - inches (mm)					Pkg. Qty.	
			A	B	C	D	E	Std. Pkg.	Bulk Pkg.
TM1S4	M	#4 Screw	.505	.325	.230	.120 (3.0)	.230 (5.8)	100	1000
TM1S6		#6 Screw	(12.8)	(8.3)	(5.8)	.150 (3.8)	.280 (7.1)		
TM1A		Adhesive†				none	none		
TM2S6	M, I, S	#6 Screw	.585	.375	.270	.150 (3.8)	.280 (7.1)	100	1000
TM2S8		#8 Screw	(14.9)	(9.5)	(6.9)	.180 (4.8)	.320 (8.1)		
TM2R6		#6 Rivet				.190 (4.8)	††		
TM2A		Adhesive†				none	none		
TM3S8	M, I, S, H	#8 Screw	.875	.625	.380	.180 (4.6)	.320 (8.1)	100	1000
TM3S10		#10 Screw	(22.2)	(15.9)	(9.7)	.200 (5.1)	.390 (9.9)		
TM3S25		1/4" Screw				.260 (6.6)	.510 (12.9)		
TM3R6		#6 Rivet				.190 (4.8)	††		
TM3A		Adhesive†				none	none		

Also available in TEFZEL™
TM3S8-76 (aqua-blue)

†Adhesive Supplied by User. (Parts shown on page CT-31)
††Counter sunk

U.L. Recognized

*Cross-Section Size: M = Miniature, I = Intermediate, S = Standard, H = Heavy and Light Heavy (except .35" width, use TMEH)
†For use with most common screw types except flat head.